



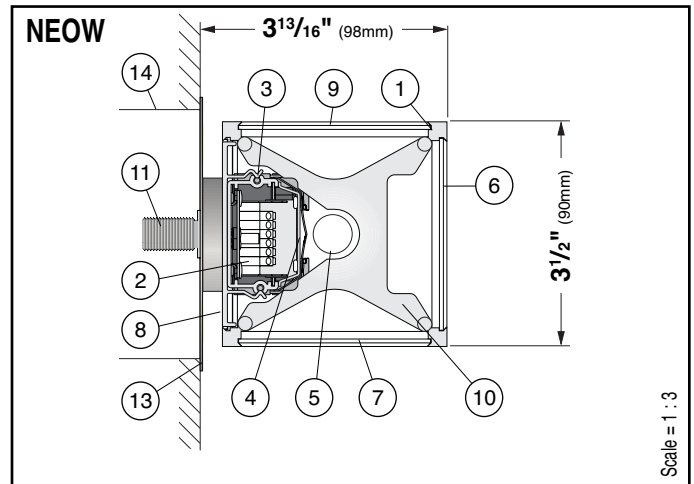
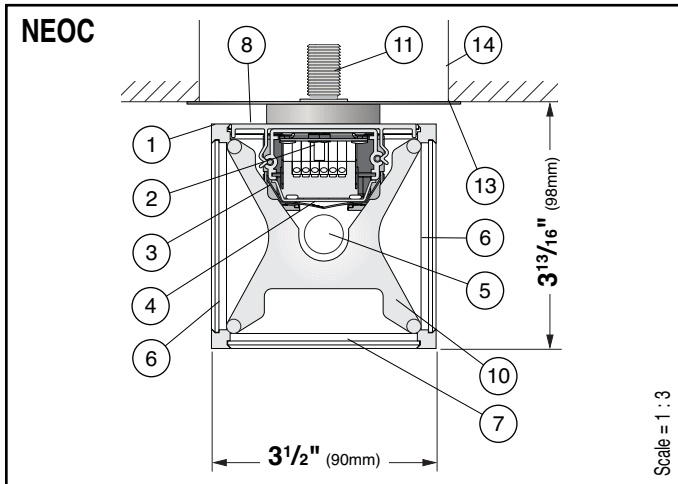
Project: _____

Type: _____ **Qty:** _____

Series Lamping Bottom Shielding Mounting Nominal Length Voltage Options

Series	Lamping	Bottom Shielding	Mounting	Nominal Length	Voltage	Options
NEOC Neo [®] Ceiling Mount <small>*Can also be mounted vertically</small>	1T5 (3) F21T5 (4) F28T5	MI Microprismatic Diffuser Lens	F Surface Mount	003 3 foot ind. 004 4 foot ind.	120 277	DMA Lutron: EcoSystem (4-wire Digital Link) DMH Lutron: EcoSystem H-Series Dimming (4-wire Digital Link) DM3 Lutron: Hi-Lume 3D (3-wire) DM4 Lutron: Hi-Lume 3D (4-wire Digital Link) DM7 ² Advance: Mark 7 (0-10v) Dimming DM10 ² Advance: Mark 10 (2-Wire) Dimming DM Customer Specified Dimming ballast FS Single Fusing SIGN Full-Color Signage (see page 4)
	NEOW Neo [®] Wall Mount	1T5HO ¹ (3) F39T5HO (4) F54T5HO	OD Opal Lens			

¹ Suggested for Dimming and Sign options only. ² Operates 3' & 4' T5 and 4' T5HO only. ³ Operates 4' T5HO only.



1. Housing - Sharp cornered polished, high-quality extruded aluminum, clean seams and machined flush glass.

2. Ballast - Electronic, high power factor, pre-wired, class "P," type "A" sound rating. Specify 120v or 277v. Must be low-profile ballasts with Dimming option, consult factory for details.

3. Gear Tray - Extruded aluminum, with white painted finish. Gear tray installed as a complete electrical unit and held in place with quick disconnects. Quick Release mechanism built into endplates allows for easy lamp servicing.

4. Reflector - Specular, high quality aluminum reflector to direct light towards working surface.

5. Lamp - Single T5 (21W 3', 28W 4') or T5HO (39W 3', 54W 4') lamping by others.

6. Side Shielding - Machined flush glass with Opal Lens inserts on sides provides for mostly direct lighting with a distinctive amount of indirect and sidelight, and with excellent glare control in longitudinal, lateral, and all diagonal planes.

7. Bottom Shielding - Machined flush glass with choice of Opal Lens insert or Microprismatic Diffuser Lens insert. Allows uniform light distribution on working plane.

8. Top Shielding (Ceiling Mount) / Back Side Shielding (Wall Mount) - Satine diffuser lens on sides of gear tray. Allows soft, indirect light distribution.

9. Top Shielding (Wall Mount) - Machined flush glass with Opal Lens.

10. Inner Support Bracket - Supplied nominally every foot.

11. Direct Mounting - Fixture assembly is mounted on one (1) 1/2" threaded mounting adapters that is installed in recessed, horizontally mounted junction boxes (supplied and installed by others). Fixture power feed passes through one of the mounting adapters into one junction box; the other end of the mounting bracket can be drilled in the mounting bracket to line up with a wall stud and a fastener used.

12. Gear Tray Access System - (not shown) Quick Release mechanism built into endplates allows for hinging of outer frame and shielding to easily access gear tray and ballast.

13. 5" x 5" Outlet Box Cover Plate - Stainless steel 5" square (127mm) cover plate attached to mounting bracket to cover the junction box. A second cover plate is attached to cover another

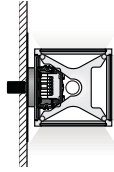
junction box that may be used for mounting or if direct fastening of the mounting bracket is preferred, the second cover becomes decorative to provide balanced symmetry.

14. Outlet Box - By others.

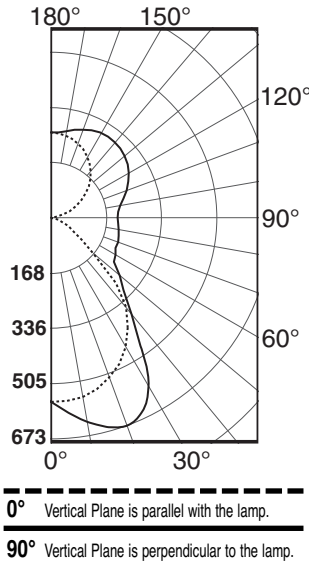
Interior Luminaire Finish - Selux utilizes a high quality Polyester Powder Coating. All Selux luminaires are finished in our Tiger Drylac certified facility and undergo a five stage intensive pre-treatment process where product is thoroughly cleaned, phosphated and sealed. Selux powder coated products provide excellent salt and humidity resistance as well as ultra violet resistance for color retention. All products are tested in accordance with test specifications for coatings from ASTM and PCI.

Photometry

NEOW/ 1T5 / Microprismatic Diffuser Lens



Catalog #: NEOW-1T5-MI
Lamp: 1x F28T5 @ 2600 lumens
Report #: 4287
Luminaire Efficiency: 88.1%
Maximum Candela: 673 @ 20°



COEFFICIENTS OF UTILIZATION - Zonal cavity method

RC	80				70				50				30				10				0
	RW	70	50	30	10	70	50	30	10	50	30	10	50	30	10	50	30	10	0		
0	96	96	96	96	89	89	89	89	76	76	76	65	65	65	54	54	54	49			
1	87	83	79	76	80	77	74	71	66	64	62	56	54	53	47	46	45	40			
2	79	72	67	62	73	68	63	59	58	55	51	50	47	45	42	40	38	34			
3	73	64	58	52	67	60	54	49	52	47	44	44	41	38	37	35	33	29			
4	67	57	50	45	62	53	47	42	46	42	38	40	36	33	34	31	29	26			
5	61	51	44	39	57	48	42	37	42	37	33	36	32	29	31	28	25	23			
6	57	46	39	34	53	43	37	32	38	33	29	33	29	26	28	25	23	20			
7	53	42	35	30	49	39	33	29	35	30	26	30	26	23	26	23	20	18			
8	49	38	32	27	46	36	30	26	32	27	23	28	24	21	24	21	19	17			
9	46	35	29	24	43	33	27	23	29	24	21	26	22	19	22	19	17	15			
10	43	32	26	22	40	31	25	21	27	22	19	24	20	17	21	18	15	14			

Effective Floor Cavity Reflectance 0.20

CANDELA DISTRIBUTION					
	0.0	30	45.0	60	90.0
0	558	558	558	558	558
5	557	574	581	587	592
15	537	588	616	638	656
25	489	575	616	640	652
35	408	506	509	488	475
45	280	296	302	315	311
55	114	163	206	219	232
65	59	122	165	195	217
75	24	103	149	183	213
85	3.6	87	136	173	204
90	0.1	85	135	172	203

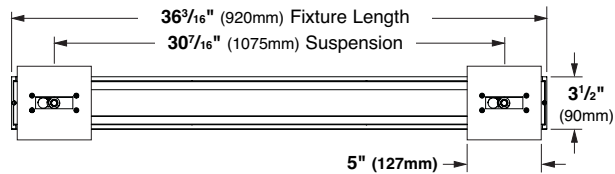
ZONAL LUMEN SUMMARY			
ZONE	LUMENS	%LAMP	%FIXT.
0-30	434.88	16.7	19
0-40	679.28	26.1	29.6
0-60	1005.99	38.7	43.9
0-90	1282.25	49.3	56
90-180	1008.78	38.8	44
0-180	2291.03	88.1	100

DOWNLOAD IES FILE:
http://www.selux.us/fileadmin/us/interior/ies_file/NEOS_IES.zip

Layout Dimensions - NEOC and NEOW

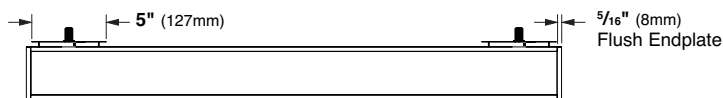
NEO ceiling/wall mount - 3 foot individual (mounting view)

Top View

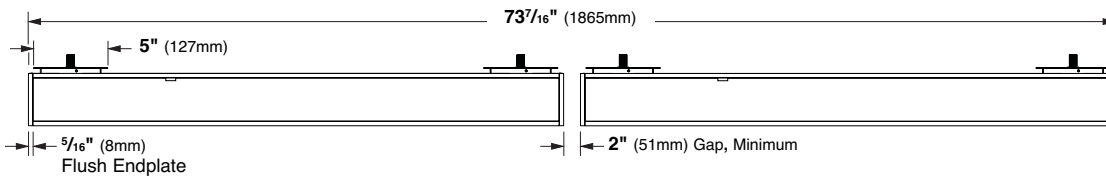


NEO ceiling/wall mount - 3 foot individual (side view - ceiling/ top view - wall)

Side View

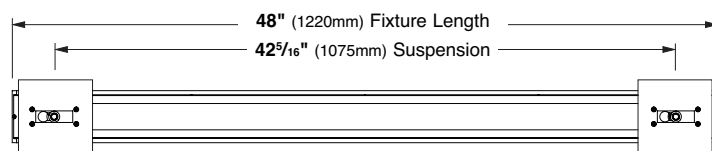


NEO ceiling/wall mount - 2x 3 foot, double configuration example (mounted side by side) (side view - ceiling/ top view - wall)



NEO ceiling/wall mount - 4 foot individual (mounting view)

Top View

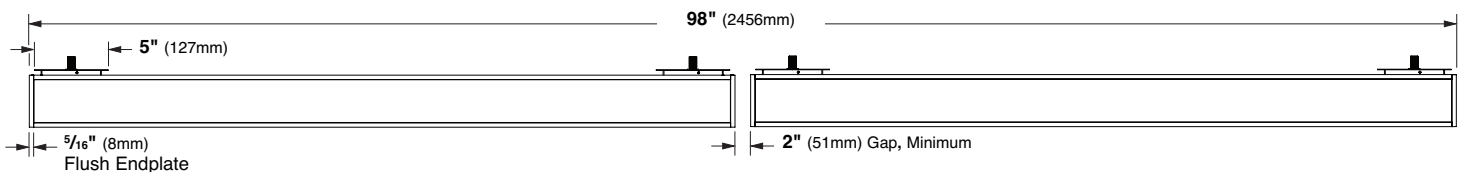


NEO ceiling/wall mount - 4 foot individual (side view - ceiling/ top view - wall)

Side View



NEO ceiling/wall mount - 2x 4 foot, double configuration example (mounted side by side) (side view - ceiling/ top view - wall)



Options

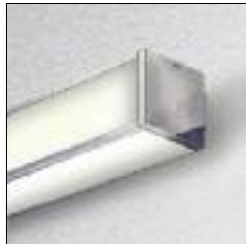
Standard Endplates

Flush Endplate

Standard with Wall and Ceiling mount. Quick Release button in Endplate allows for hinging of outer frame and shielding to easily access lamp. *Wall Mount shown.*

Overall Dimensions:
3 1/2" (90mm) x 5/16" (8mm)

Order code: F



Shielding

Microprismatic Diffuser Lens

Available for bottom side only, the specially designed acrylic Microprismatic Diffuser Lens directs more light onto task and work areas.

Order code: MI



Opal Lens

Provides a soft, diffuse light source for general lighting applications. Opal Lens is provided standard on sides of ceiling mount and side and top of wall mount, and is optionally available for the bottom (direct) side.

Order code: OD



Options

Signage - Default signage is text in the following format:

Font: Optima

Height: 2.5"

Location: Centered on one side of the housing

Please consult factory if other signage options are needed (like logos, different text height/font/location,etc.)

