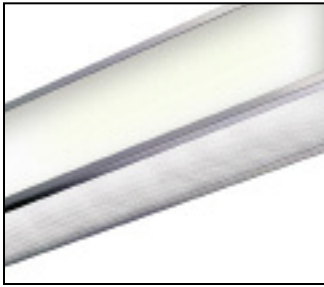


# NEO<sup>®</sup> Linear Fluorescent Pendant

# selux



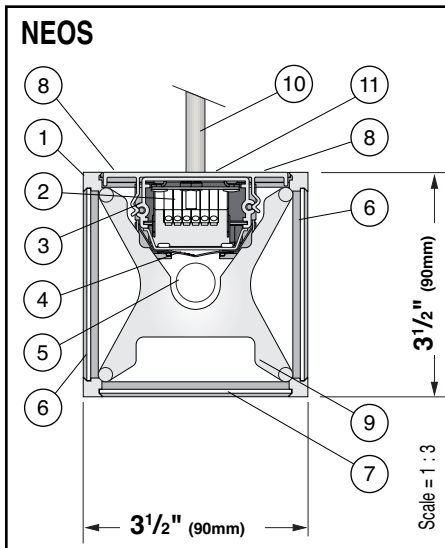
**Project:** \_\_\_\_\_

**Type:** \_\_\_\_\_ **Qty:** \_\_\_\_\_

NEOS									
Series	Lamping	Bottom Shielding	Mounting	Nominal Length	Individual Suspensions				
Start	Mid/Joiner	End	Voltage		Options				
Run/Config. Suspensions									

Series	Lamping	Bottom Shielding	Mounting	Nominal Length	Individual Suspension Bars	Run/Configuration Suspension Bars	Voltage	Options
NEOS NEO <sup>®</sup> Pendant	1T5 (3') F21T5 (4') F28T5	MI Microprismatic Diffuser Lens OD Opal Lens	C Cable RS 4' Rigid Stem	003 3 foot ind. 004 4 foot ind. Rxx Run (i.e. R08 for 8' run) Cxx Configurations (i.e. C32 for 8' x 8' Square config.)  See pages 3 thru 6 for details and examples	C Mounting Only LE Long Straight Bar  RS Mounting Only SE Short Straight Bar LE Long Straight Bar	Start (RS Mounting only) SEF Short Straight Bar w/feed LEF Long Straight Bar w/feed CBF Swivel Bar w/feed (Config. only)  Start (C Mounting only) LEC Long Straight Bar w/feed CBC Swivel Bar w/feed (Config. only)  Mid/Joiner (RS or C Mounting) SB Short Straight Bar CB Swivel Bar (Supplied automatically for configuration corners/angles)  End (RS or C Mounting) SEX Short Straight Bar LEX Long Straight Bar XXX None (last fixture of closed config.)	120 277	DMA Lutron: EcoSystem (4-wire Digital Link) DMH Lutron: EcoSystem H-Series Dimming (4-wire Digital Link) DM3 Lutron: Hi-Lume 3D (3-wire) DM4 Lutron: Hi-Lume 3D (4-wire Digital Link) DM7 <sup>2</sup> Advance: Mark 7 (0-10v) Dimming DM10 <sup>2</sup> Advance: Mark 10 (2-Wire) Dimming DM Customer Specified Dimming ballast FS Single Fusing SIGN Full-Color Signage (see page 7) LCAN Ø5" canopy covers in place of the std. Ø2" at all non-feed suspension points (cable mount only)
	1T5HO <sup>3</sup> (3') F39T5 (4') F54T5							

<sup>1</sup> Suggested for Dimming and Sign options only. <sup>2</sup> Operates 3' & 4' T5 and 4' T5HO only. <sup>3</sup> Operates 4' T5HO only.



**1. Housing** - Sharp cornered polished, high-quality extruded aluminum, clean seams and machined flush glass.

**2. Ballast** - Electronic, high power factor, pre-wired, class "P," type "A" sound rating. Specify 120v or 277v. Must be low-profile ballasts with Dimming option, consult factory for details.

**3. Gear Tray** - Extruded aluminum, with white painted finish. Gear tray installed as a complete electrical unit and held in place with quick disconnects.

**4. Reflector** - Specular, high quality aluminum reflector to direct light toward working surface.

**5. Lamp** - Single T5 (21W 3', 28W 4'), or T5HO (39W 3', 54W 4') lamping by others.

**6. Side Shielding** - Machined flush glass with Opal Lens inserts on sides provides for mostly direct lighting with a distinctive amount of indirect and sidelight, and with excellent glare control in longitudinal, lateral, and all diagonal planes.

**7. Bottom Shielding** - Machined flush glass with choice of Opal Lens insert or Microprismatic Diffuser Lens insert. Allows uniform light distribution on working plane.

**8. Top Shielding** - Satine diffuser lens on sides of gear tray. Allows soft, indirect light distribution.

**9. Inner Support Bracket** - Supplied nominally every foot.

**10. Suspensions** - Cable suspensions or 1/2" O.D. stems are 4' from ceiling to top of luminaire and may be cut in field. Assembly should be fed as per NEC through 4 x 4 junction

box (supplied and installed by others). Polished aluminum Ø5" canopy supplied for all stem mount locations and feed locations with cable mount; polished aluminum Ø2" canopy supplied at all non-feed locations with cable mount. For Cable mount, exposed power feed cord has clear outer casing showing 5 silver conductor casings.

**11. Gear Tray Access System** - (not shown) Allows for easy access and removal of ballast and gear tray. Handle slips inside fixture when not in use.

**Interior Luminaire Finish** - Selux utilizes a high quality Polyester Powder Coating. All Selux luminaires are finished in our Tiger Drylac certified facility and undergo a five stage intensive pretreatment process where product is thoroughly cleaned, phosphated and sealed. Selux powder coated products provide excellent salt and humidity resistance as well as ultra violet resistance for color retention. All products are tested in accordance with test specifications for coatings from ASTM and PCI.

Selux Corp. © 2013  
TEL (845) 834-1400  
FAX (845) 834-1401  
www.selux.us  
NEOS-0813-01 (ss-v3.1)

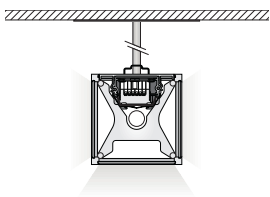
**NRTL Listed for Damp Locations (i.e. UL, CSA)**

Union Made Affiliated  
with IBEW Local 363

In a continuing effort to offer the best product possible, we reserve the right to change, without notice, specifications or materials that in our opinion will not alter the function of the product. Specification sheets found at www.selux.us are the most recent versions and supersede all other printed or electronic versions.

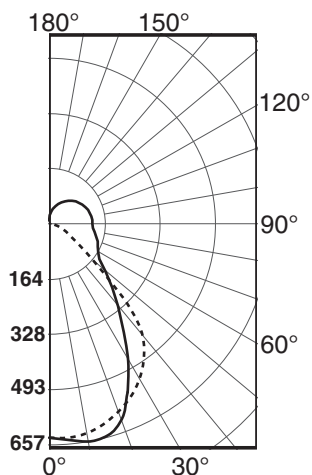
## Photometry

### NEOS / 1T5 / Microprismatic Diffuser Lens



Catalog #: **NEOS-1T5-004-MI**  
 Lamp: **1x F28T5 @ 2600 lumens**  
 Report #: **3930**  
 Luminaire Efficiency: **71.2%**  
 Maximum Candela: **657 @ 10°**

DOWNLOAD IES FILE:  
[http://www.selux.us/fileadmin/us/interior/ies\\_file/NEOS\\_IES.zip](http://www.selux.us/fileadmin/us/interior/ies_file/NEOS_IES.zip)



0° Vertical Plane is parallel with the lamp.  
 90° Vertical Plane is perpendicular to the lamp.

### COEFFICIENTS OF UTILIZATION - Zonal cavity method

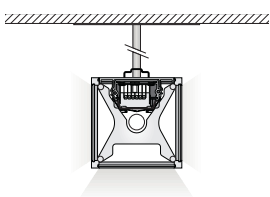
RC	80				70				50				30				10				0
	RW	70	50	30	10	70	50	30	10	50	30	10	50	30	10	50	30	10	0		
0	81	81	81	81	77	77	77	77	70	70	70	64	64	64	58	58	58	55	0		
1	73	70	67	64	70	67	64	61	61	59	57	55	54	52	50	49	48	45	0		
2	67	61	57	53	64	59	54	51	54	50	47	49	46	44	45	43	41	38	0		
3	62	55	49	45	59	52	47	43	48	44	40	44	41	38	40	37	35	33	0		
4	57	49	43	38	54	47	41	37	43	39	35	40	36	33	36	33	31	29	0		
5	53	44	38	34	50	42	37	33	39	34	31	36	32	29	33	30	27	26	0		
6	49	40	34	30	46	38	33	29	36	31	28	33	29	26	30	27	25	23	0		
7	45	36	31	27	43	35	30	26	33	28	25	30	26	23	28	25	22	21	0		
8	42	33	28	24	40	32	27	23	30	26	22	28	24	21	26	23	20	19	0		
9	40	31	25	22	38	30	25	21	28	23	20	26	22	19	24	21	18	17	0		
10	37	28	23	20	36	28	23	19	26	21	19	24	20	18	23	19	17	16	0		

CANDELA DISTRIBUTION					
	0	30	45	60	90
0	631	631	631	631	631
5	632	632	632	635	638
15	613	628	642	651	656
25	566	588	582	567	548
35	488	449	425	396	383
45	316	269	267	270	265
55	109	145	169	172	181
65	55	104	127	144	159
75	26	90	106	127	145
85	4.7	61	90	112	130
90	1.2	58	87	109	128

Effective Floor Cavity Reflectance 0.20

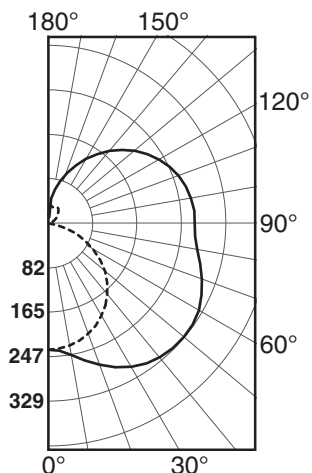
ZONAL LUMEN SUMMARY			
ZONE	LUMENS	%LAMP	%FIXT.
0-30	500.2	19.2	27
0-40	769.3	29.6	41.6
0-60	1124.6	43.3	60.8
0-90	1434.8	55.2	77.5
90-180	416.3	16	22.5
0-180	1851.1	71.2	100

### NEOS / 1T5 / Opal Lens



Catalog #: **NEOS-1T5-004-OD**  
 Lamp: **1x F28T5 @ 2600 lumens**  
 Report #: **4286**  
 Luminaire Efficiency: **84.7%**  
 Maximum Candela: **329 @ 50°**

DOWNLOAD IES FILE:  
[http://www.selux.us/fileadmin/us/interior/ies\\_file/NEOS\\_IES.zip](http://www.selux.us/fileadmin/us/interior/ies_file/NEOS_IES.zip)



0° Vertical Plane is parallel with the lamp.  
 90° Vertical Plane is perpendicular to the lamp.

### COEFFICIENTS OF UTILIZATION - Zonal cavity method

RC	80				70				50				30				10				0
	RW	70	50	30	10	70	50	30	10	50	30	10	50	30	10	50	30	10	0		
0	93	93	93	93	87	87	87	87	76	76	76	66	66	66	57	57	57	53	0		
1	82	77	72	68	76	71	67	64	62	59	56	53	51	48	45	43	42	37	0		
2	73	65	58	53	68	61	55	50	52	48	44	45	41	38	38	35	32	29	0		
3	66	56	48	42	61	52	45	40	45	40	35	39	34	31	32	29	26	23	0		
4	60	49	41	35	55	46	38	33	39	34	29	34	29	25	28	25	22	19	0		
5	55	43	35	29	50	40	33	28	35	29	24	30	25	21	25	21	18	16	0		
6	50	38	31	25	46	36	29	24	31	25	21	27	22	18	23	19	16	13	0		
7	46	34	27	22	43	32	25	20	28	22	18	24	19	16	20	17	14	11	0		
8	43	31	24	19	40	29	22	18	25	20	16	22	17	14	19	15	12	10	0		
9	40	28	21	17	37	27	20	16	23	18	14	20	16	12	17	13	11	9	0		
10	37	26	19	15	34	24	18	14	21	16	12	18	14	11	16	12	9	8	0		

CANDELA DISTRIBUTION					
	0	30	45	60	90
0	235	235	235	235	235
5	239	234	235	236	238
15	226	235	245	254	264
25	210	235	258	277	295
35	186	231	266	294	318
45	156	220	263	298	3283
55	119	200	252	293	329
65	77	173	231	277	315
75	35	7111	204	253	293
85	4.2	116	182	232	275
90	0.3	114	180	231	273

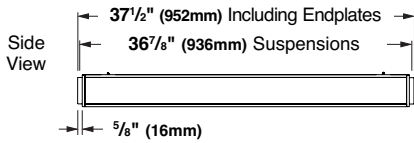
Effective Floor Cavity Reflectance 0.20

ZONAL LUMEN SUMMARY			
ZONE	LUMENS	%LAMP	%FIXT.
0-30	209.9	8.1	9.5
0-40	372.1	14.3	16.9
0-60	781.4	30.1	35.5
0-90	1371.4	52.7	62.3
90-180	829.6	31.9	37.7
0-180	2200.9	84.7	100.0

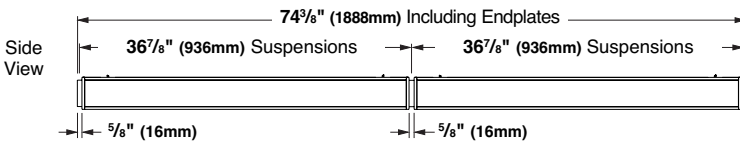
## Layout Dimensions

### NEOS 3' Layout Dimensions (uniform suspension bars and connectors)

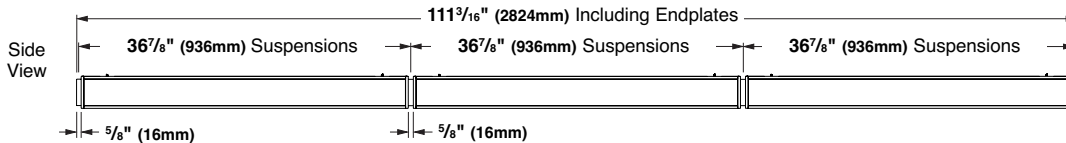
#### NEO suspended - NEOS - 1T5 - MI - RS - 003 - SE - 120



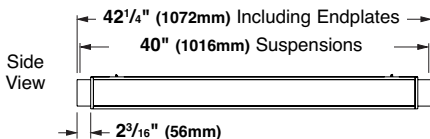
#### NEO suspended - NEOS - 1T5 - MI - RS - R06 - SEF - SB - SEX - 120



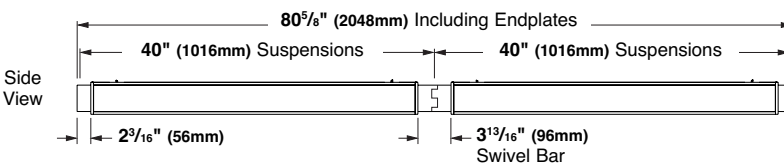
#### NEO suspended - NEOS - 1T5 - MI - RS - R09 - SEF - SB - SEX - 120



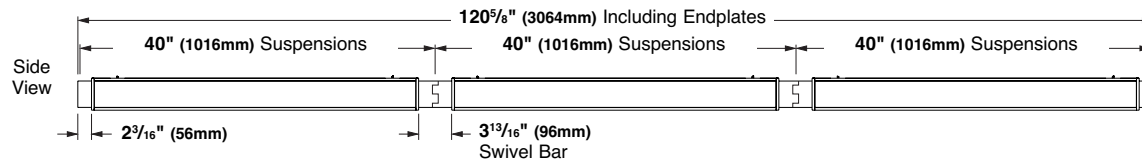
#### NEO suspended - NEOS - 1T5HO - OD - C - 003 - LE - 120



#### NEO suspended - NEOS - 1T5HO - OD - C - R06 - LEC - CB - LEX - 120



#### NEO suspended - NEOS - 1T5HO - OD - C - R09 - LEC - CB - LEX - 120

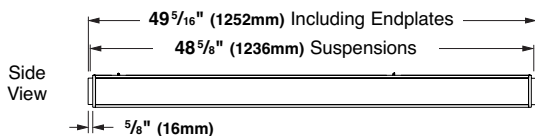


For continuous runs and configurations Selux uses combinations of 3' and 4' units to meet the requested length(s). For other configurations please contact Selux customer service or Selux technical support (1-800-SELUX-CS).

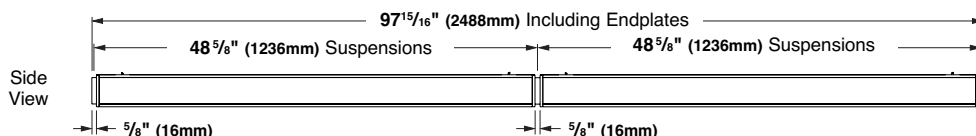
## Layout Dimensions

### NEOS 4' Layout Dimensions (uniform suspension bars and connectors)

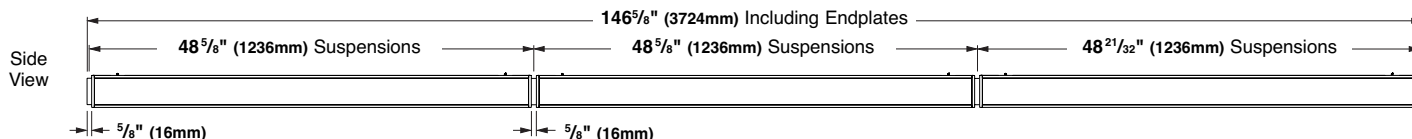
**NEO suspended - NEOS - 1T5 - MI - RS - 004 - SE - 120**



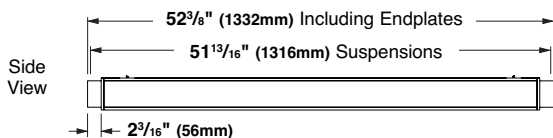
**NEO suspended - NEOS - 1T5 - MI - RS - R08 - SEF - SB - SEX - 120**



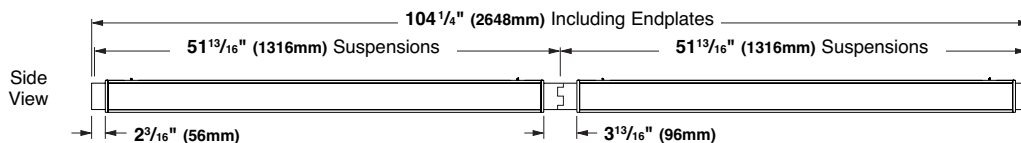
**NEO suspended - NEOS - 1T5HO - MI - RS - R12 - SEF - SB - SEX - 120**



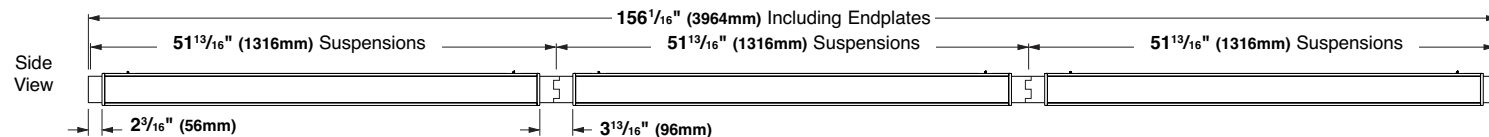
**NEO suspended - NEOS - 1T5HO - OD - C - 004 - LE - 120**



**NEO suspended - NEOS - 1T5HO - OD - C - R08 - LEC - CB - LEX - 120**



**NEO suspended - NEOS - 1T5HO - OD - C - R12 - LEC - CB - LEX - 120**

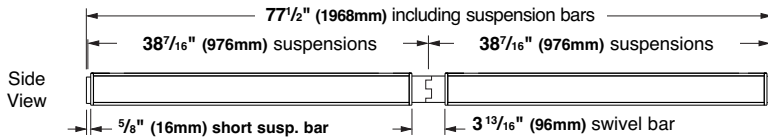


For continuous runs and configurations Selux uses combinations of 3' and 4' units to meet the requested length(s). For other configurations please contact Selux customer service or Selux technical support (1-800-SELUX-CS).

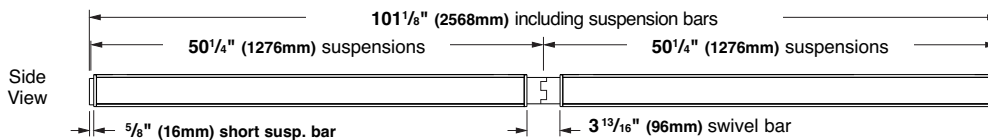
## Layout Dimensions

### NEOS 3' and 4' Layout Dimensions (mixed suspension bars and connectors)

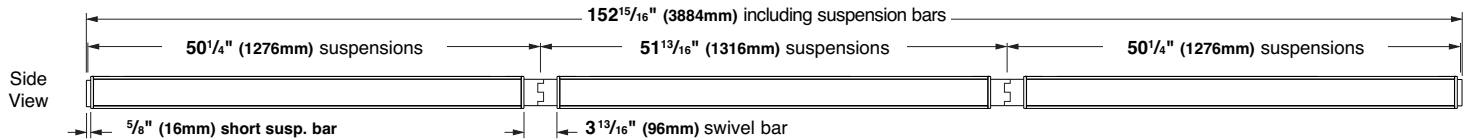
#### NEO suspended - NEOS - 1T5 - MI - RS - R06 - SEF - CB - SEX - 120



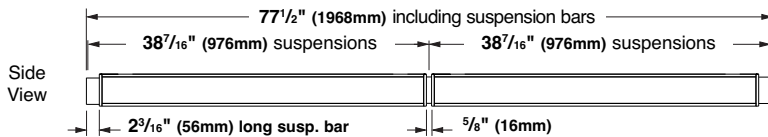
#### NEO suspended - NEOS - 1T5 - MI - RS - R08 - SEF - CB - SEX - 120



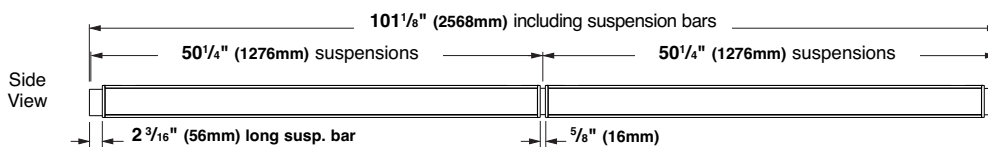
#### NEO suspended - NEOS - 1T5 - MI - RS - R12 - SEF - CB - SEX - 120



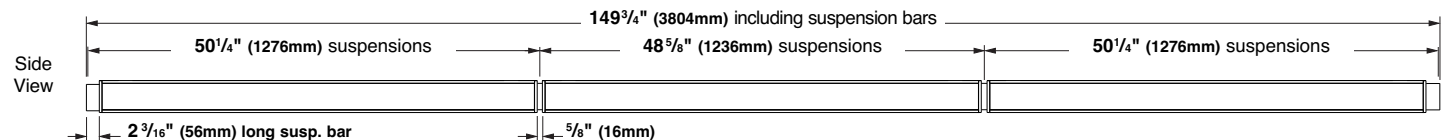
#### NEO suspended - NEOS - 1T5HO - OD - C - R06 - LEC - SB - LEX - 120



#### NEO suspended - NEOS - 1T5HO - OD - C - R08 - LEC - SB - LEX - 120



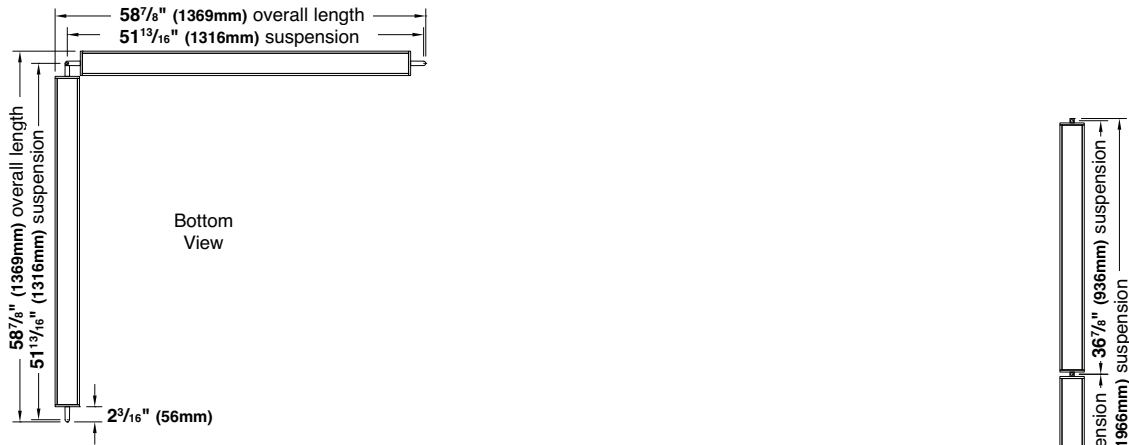
#### NEO suspended - NEOS - 1T5HO - OD - C - R12 - LEC - SB - LEX - 120



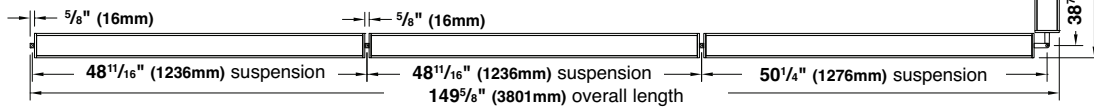
For continuous runs and configurations Selux uses combinations of 3' and 4' units to meet the requested length(s).  
For other configurations please contact Selux customer service or Selux technical support (1-800-SELUX-CS).

## Layout Dimensions

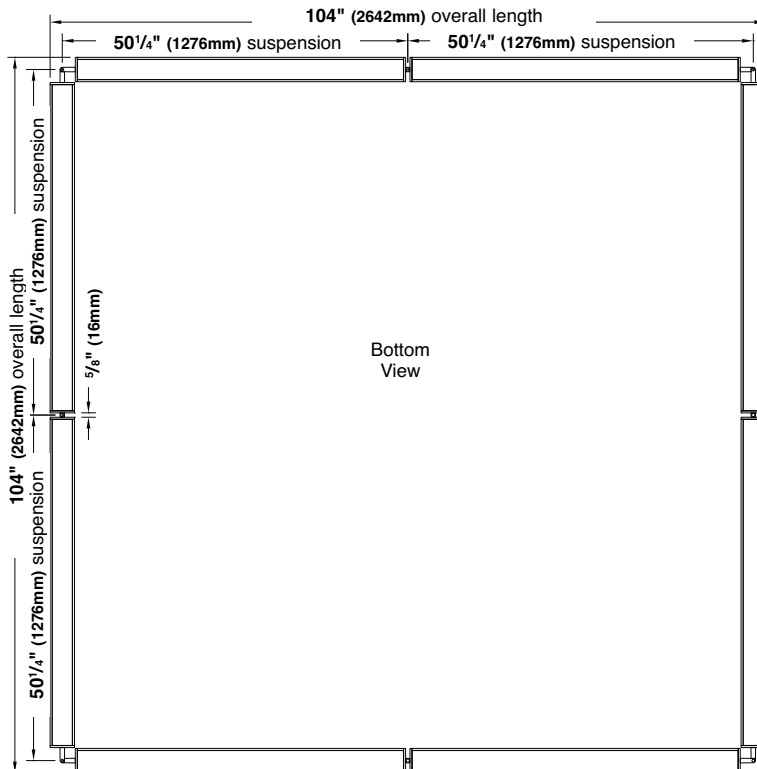
NEO suspended - NEOS - 1T5HO - OD - C - C08 - LEC - SB - LEX - 120 (4' x 4' nominal)



NEO suspended - NEOS - 1T5HO - OD - RS - C18 - SEC - SB - SEX - 120 (6' x 12' nominal)



NEO suspended - NEOS - 1T5HO - OD - C - C32 - CBC - SB - XXX - 120 (8' x 8' nominal)

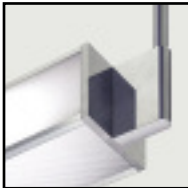


For continuous runs and configurations Selux uses combinations of 3' and 4' units to meet the requested length(s).  
 For other configurations please contact Selux customer service or Selux technical support (1-800-SELUX-CS).

## Options

### Standard Endplates

#### Long Suspension Bar



**Overall Dimensions:**  
3 1/2" (90mm) x 2 3/16" (56mm) x 5/8" (16mm)

Available with Cable and Rigid Stem Mount on outside endplates for single and multiple configurations. *Rigid Stem Mount shown.*

**Order code: LE**

#### Short Suspension Bar



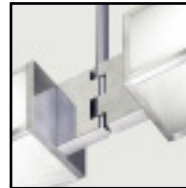
**Overall Dimensions:**  
3 1/2" (90mm) x 5/8" (16mm) x 5/8" (16mm)

Available with Cable (non-feed ends only) and Rigid Stem Mount on outside endplates for single and multiple configurations. *Cable Mount shown.*

**Order code: SE**

### Connectors

#### Swivel Connector



**Overall Dimensions:**  
3 1/2" (90mm) x 3 13/16" (96mm) x 5/8" (16mm)

Available with Cable and Rigid Stem Mount for multiple configurations only. Variable corner bar allows up to 90° horizontal rotation in either direction. *Rigid Stem Mount shown.*

**Order code: CB**

#### Straight Connector



**Overall Dimensions:**  
3 1/2" (90mm) x 5/8" (16mm) x 5/8" (16mm)

Available with Cable and Rigid Stem Mount for multiple configurations only. *Cable Mount shown.*

**Order code: SB**

### Shielding

#### Microprismatic Diffuser Lens

Available for bottom (direct) side only, the specially designed acrylic Microprismatic Diffuser Lens directs more light onto task and work areas.

**Order code: MI**



#### Opal Lens

Provides a soft, diffuse light source for general lighting applications. Opal Lens is provided standard on lateral sides, and is optionally available on bottom (direct) side.

**Order code: OD**



### Options

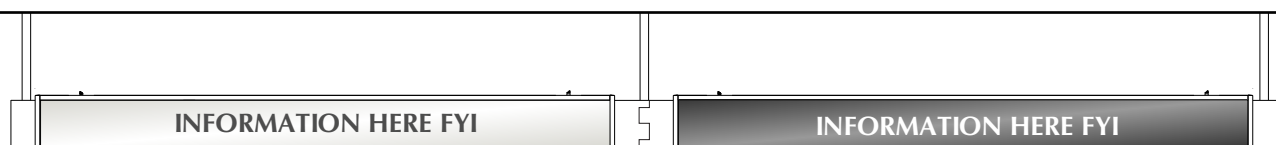
**Signage** - Default signage is text in the following format:

Font: Optima

Height: 2.5"

Location: Centered on one side of the housing (Please specify which fixture for runs)

Please consult factory if other signage options are needed (like logos, different text height/font/location,etc.)



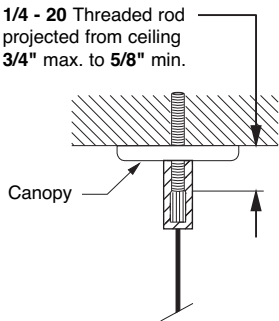
## Mounting Options

### Cable Suspensions

Ordering Code: **C**

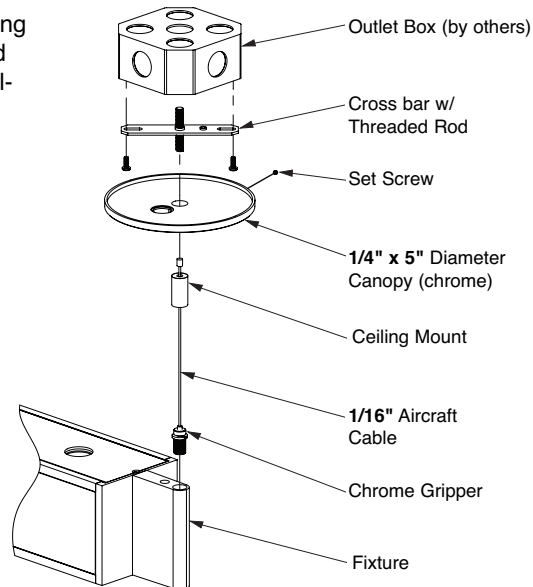
48" max. suspension from ceiling to top of luminaire and are field adjustable. Other lengths available, consult factory.

1/4 - 20 Threaded rod projected from ceiling 3/4" max. to 5/8" min.

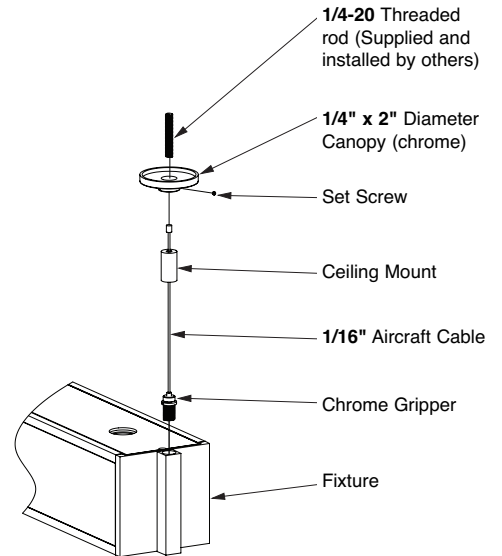


#### Feed Locations

18-5 Straight Feed Cord (Not Shown), Clear



#### Non-Feed Locations



### Rigid Stem Suspension

Ordering Code: **RS**

48" max. suspension from ceiling to top of luminaire. Other lengths available, consult factory.

