

Date: _____ Customer: _____
 Project: _____
 Type: _____ Qty: _____



Miaura™ Rail for LED Modules



For complete Rail order, please order the following items listed on pages 1 and 2: Rail, Corners (if desired), Pendant Mounting Kit (if desired), Feed Kit(s), End Cap Kit(s), Joiner Kit(s) (if needed), Options, and Luminaire(s)

Rail Order Code: MRR - _____ - _____ - _____ **QTY:** _____

<u> MRR </u>	Series	MRR Miaura™ Rail				
_____	Mounting	C Cable	F Surface	S Swivel Stem	RS Rigid Stem	*For details, please see pages 3 through 7
_____		SF1 Spackle Flange (1/2" Drywall) - Semi-Recessed <i>(consult factory)</i>	SF2 Spackle Flange (5/8" Drywall) - Semi-Recessed <i>(consult factory)</i>	SF3 Spackle Flange (After Drywall) - Semi-Recessed <i>(consult factory)</i>	SH Semi-Recessed with Suspension Clips - Semi-Recessed <i>(consult factory)</i>	TS 1/4-20 Threaded 1" Stud - Semi-Recessed <i>(consult factory)</i>
_____	Length	08 8 foot	12 12 foot			
_____	Finish	WH White	BK Black	BL Semi-Matte Black	SV Silver	SP Specify Premium Color <i>Custom colors are available, Please consult factory</i>

Corners Order Code: MRR - _____ - _____ - _____ **QTY:** _____

<u> MRR </u>	Series	MRR Miaura™ Rail				
_____	Mounting	C Cable	F Surface	S Swivel Stem	RS Rigid Stem	*For details, please see pages 3 through 7
_____		SF1 Spackle Flange (1/2" Drywall) - Semi-Recessed <i>(consult factory)</i>	SF2 Spackle Flange (5/8" Drywall) - Semi-Recessed <i>(consult factory)</i>	SF3 Spackle Flange (After Drywall) - Semi-Recessed <i>(consult factory)</i>	SH Semi-Recessed with Suspension Clips - Semi-Recessed <i>(consult factory)</i>	TS 1/4-20 Threaded 1" Stud - Semi-Recessed <i>(consult factory)</i>
_____	Finish	WH White	BK Black	BL Semi-Matte Black	SV Silver	SP Specify Premium Color <i>Custom colors are available, Please consult factory</i>
_____	Corner	X X-Corner	T T-Corner	LR* L (Right) Corner	LL* L (Left) Corner	*For details, please see page 10



Mounting Kit Order Code: MRR - _____ **QTY:** _____

<u> MRR </u>	Series	MRR Miaura™ Rail				
_____	Mounting	CK Cable Kit, Non-Feed	SK Swivel Stem Kit, Non-Feed	RK Rigid Stem Kit, Non-Feed	SHK Suspension Clip Kit, Non-Feed	TSK 1/4-20 Threaded Stud Kit, Non-Feed

Feed Kit Order Code: MRR - _____ **QTY:** _____

<u> MRR </u>	Series	MRR Miaura™ Rail			
_____	Feed Kit	CFK Cable Feed Kit	SFK Swivel Stem Feed Kit	RSFK Rigid Stem Feed Kit	FFK Feed Kit for Surface or Semi-Recessed

End Cap Kit Order Code: MRR - _____ - _____ **QTY:** _____

<u> MRR </u>	Series	MRR Miaura™ Rail				
_____	End Cap Kit	ELK End Cap Kit for non- Semi-Recessed	ESF1K End Cap Kit for SF1 <i>(consult factory)</i>	ESF2K End Cap Kit for SF2 <i>(consult factory)</i>	ESF3K End Cap Kit for SF3 <i>(consult factory)</i>	
_____	Finish	WH White	BK Black	BL Semi-Matte Black	SV Silver	SP Specify Premium Color <i>Custom colors are available, Please consult factory</i>

Joiner Kit Order Code: MRR - _____ **QTY:** _____

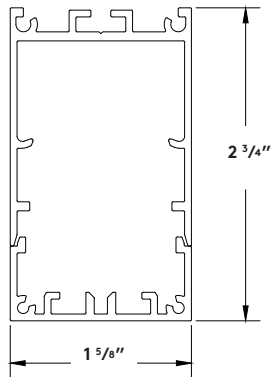
<u> MRR </u>	Series	MRR Miaura™ Rail			
_____	Joiner Kit	JK Joiner Kit			

Sensor Options - For sensors, consult factory.

Emergency Options - For Emergency Options, consult factory.

Current Limiting Options - For Current Limiting Device, consult factory.

Luminare Order Code - Luminaires must be ordered separately. Please see Miaura™ spec sheets for luminaire ordering codes.



Construction:

Rail - Continuous, low copper 6063-T6 extruded aluminum profile. Available as Individual fixtures (8 foot or 12 foot). Each Rail comes with Blank Cover in the same specified finish of the same length. Rail and Blank Cover are field-cutable (please see Installation Instructions for details).

Mounting(s) - 1/8" Aircraft Cable, Ø1/2" Swivel or Rigid Steel Stem, Surface mounting. Semi-Recessed (consult factory): Spackle-in (drywall), T-bar grid, and Threaded Stud Mountings (see pages 4 and 5 for details).

Lengths - All standard Rails are supplied in full 8 foot or 12 foot lengths and are field-cutable for exact Lengths. Join Rails together for longer Runs using Miaura™ Joiner Kits (MRR-JK) (see page 6 for details).

Miaura™ Joiner(s) - Runs and Configurations require Joiner Kits (ordered as a separate line item: MRR-JK). One Joiner Kit is needed to join two Rails together, two Joiner Kits are needed for L-Corners, three Joiner Kits are needed for T-Corners, and four Joiner Kits are needed for X-Corners. Joiner Kit includes Joiner and 6 set screws (see page 6 for details).

Corner(s) - Miaura™ has L-, T-, and X-Corners available to create unique shapes. Corners include Blank Cover and through-wiring.

Feed Kit(s) - Miaura™ Feed Kits are field-installed. Feed can be located anywhere along the length of the Rail or on a Corner, but not at a Joiner. Feed is required every 60 feet for 120V or every 120 feet for 277V (for 347V, consult factory). All Feed Kits contain feed hole drilling template with strain reliefs and mounting screw and nut.

End Cap Kit(s) - Miaura™ End Cap Kits include 2 endcaps, 2 screws, and 2 star washers.

Weight: 0.7 lb. per foot.

Luminaire Finish:

Powder Coat - All Selux luminaires are finished in high quality polyester powder coating in our Tiger Drylac certified facility and are tested in accordance with test specifications for coatings from ASTM and PCI.

All products undergo a five stage intensive pretreatment process where product is thoroughly cleaned, phosphated, and sealed. Selux powder coated products provide excellent salt and humidity resistance as well as ultra violet resistance for color retention.

Standard interior colors are White (WH), Black (BK), Semi-Matte Black (BL), and Silver (SV). Selux premium colors (SP) are available, please specify from your Selux color selection guide.

Warranty:

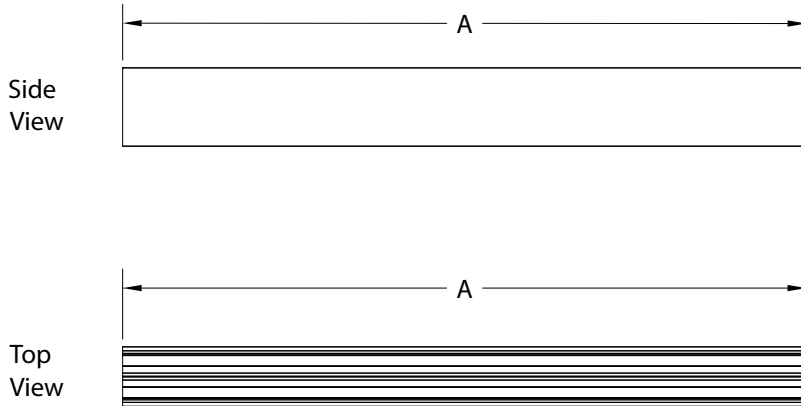
5 Year Limited LED Luminaire Warranty - Selux offers a 5 Year Limited Warranty to the original purchaser that the Miaura™ Rail shall be free from defects in material and workmanship for up to five (5) years from date of shipment.

Certifications and Compliance:

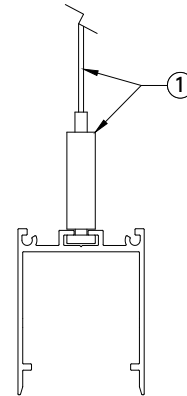
NRTL - For Dry and Damp location
(I.E. cULus; cCSAus)

ADA Compliant
ARRA Compliant
RoHS Compliant

Cable Mounting (C)



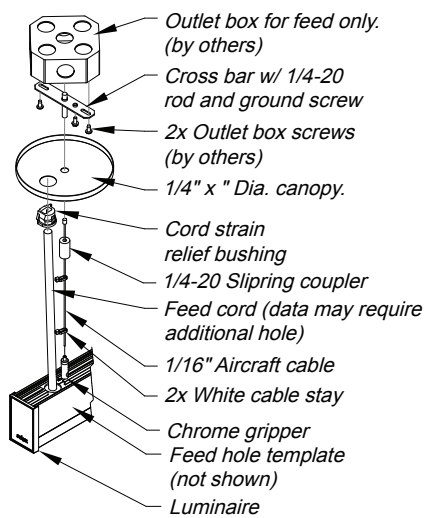
Cable Mounting (C)



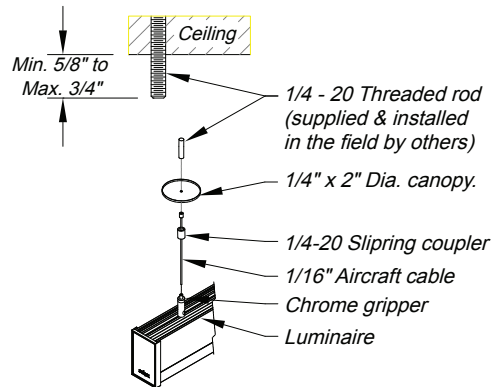
1. Ø 1/16" Aircraft Cable with chrome gripper for easy adjustment (48" max. from ceiling to luminaire).

Miaura™ Rail Dimensions	
Nominal Length	"A" Housing Length
08 (8 ft.)	8' - 0" (2438mm)
12 (12 ft.)	12' - 0" (3658mm)

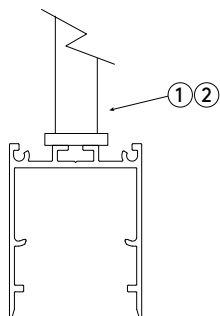
Cable (C) Suspension Detail
(feed location(s) only)



Cable (C) Suspension Detail
(non-feed location(s) only)

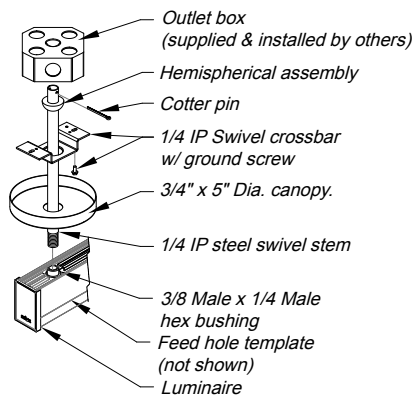


Stem Mounting (S & RS)

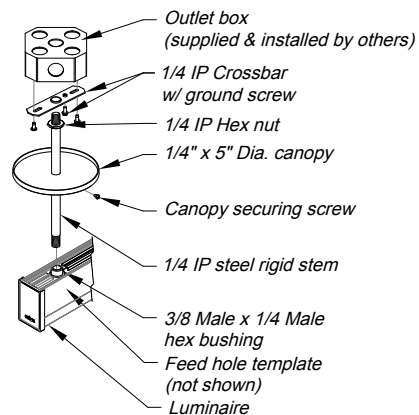


1. \varnothing 1/2" Swivel Stem provides 45° swivel and **can be cut in field** (48" max. from ceiling to luminaire).
2. \varnothing 1/2" Rigid Stem is fixed and is **not able to be cut/adjusted in field** (48" max. from ceiling to luminaire).

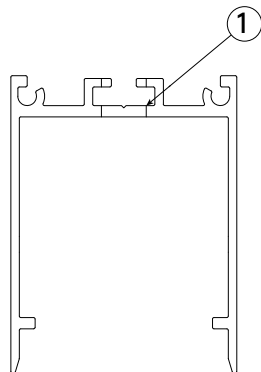
Swivel Stem (S) Suspension Detail (feed wires through stem supplied by Selux)



Rigid Stem (RS) Suspension Detail (feed wires through stem supplied by Selux)



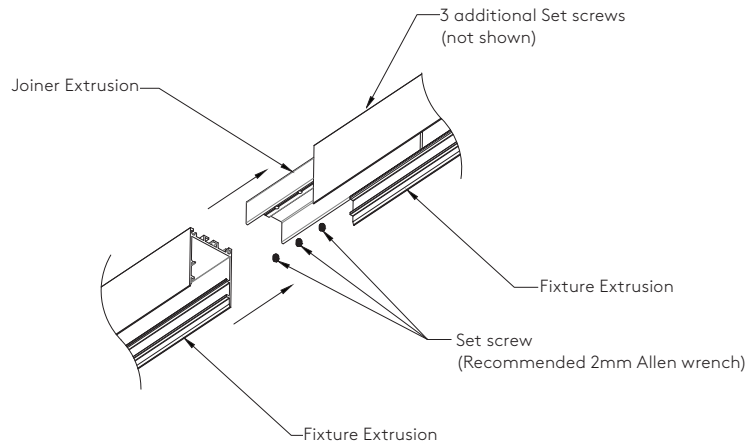
Surface Mounting (F)



*Please note: Fixture does not cover a 4x4 J-box

1. \varnothing 5/16" Mounting hole drilled at the factory (mounting hardware to code by others).

Joiner System (MRR-JK) - for Runs and Configurations

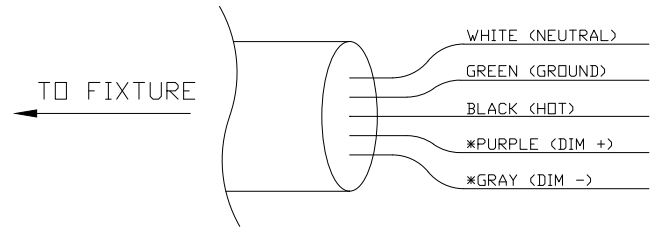
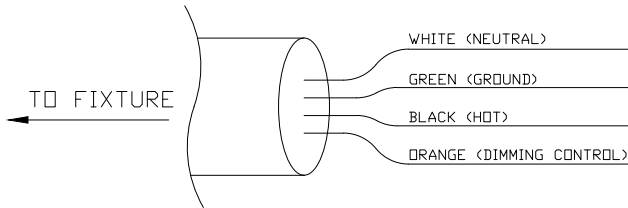


Feed Wiring Diagrams

- Feed drop to fixture every 60' (nominal) of Rail for 120v systems.
- Feed drop to fixture every 132' (nominal) of Rail for 277v systems.

DC3 Fixture Driver

**DIM, DIL, DM, DML, SR, DC2*, DC5, DCE, DMD, DED
Fixture Driver**

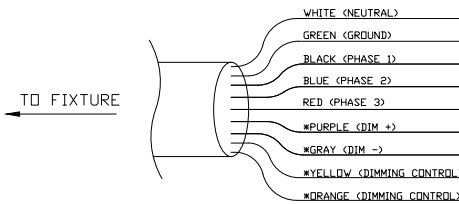


*FOR DC2 FIXTURE DRIVER,
DIMMING LEADS ARE TO BE CAPPED

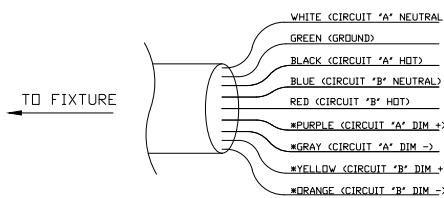
Phase Selection Option

Separate Switching Option

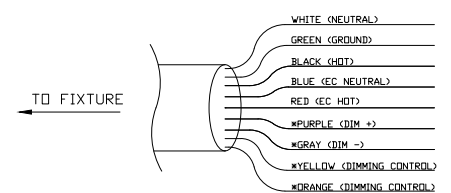
Emergency Circuit Option



*CONSULT INDIVIDUAL FIXTURE SPEC SHEET
FOR APPLICABLE DIMMING WIRING DIAGRAM



*CONSULT INDIVIDUAL FIXTURE SPEC SHEET
FOR APPLICABLE DIMMING WIRING DIAGRAM



*CONSULT INDIVIDUAL FIXTURE SPEC SHEET
FOR APPLICABLE DIMMING WIRING DIAGRAM

**For Rail featuring fixtures with different driver options, and for Fixtures with EM option, please consult factory

Miaura™ Corners and Shapes

Listed below are the details for the standard Miaura™ corners. These standard corner sections can be combined together or with linear Miaura™ Rail for complex configurations. Corners come with through-wiring installed, and matching Blank Cover.

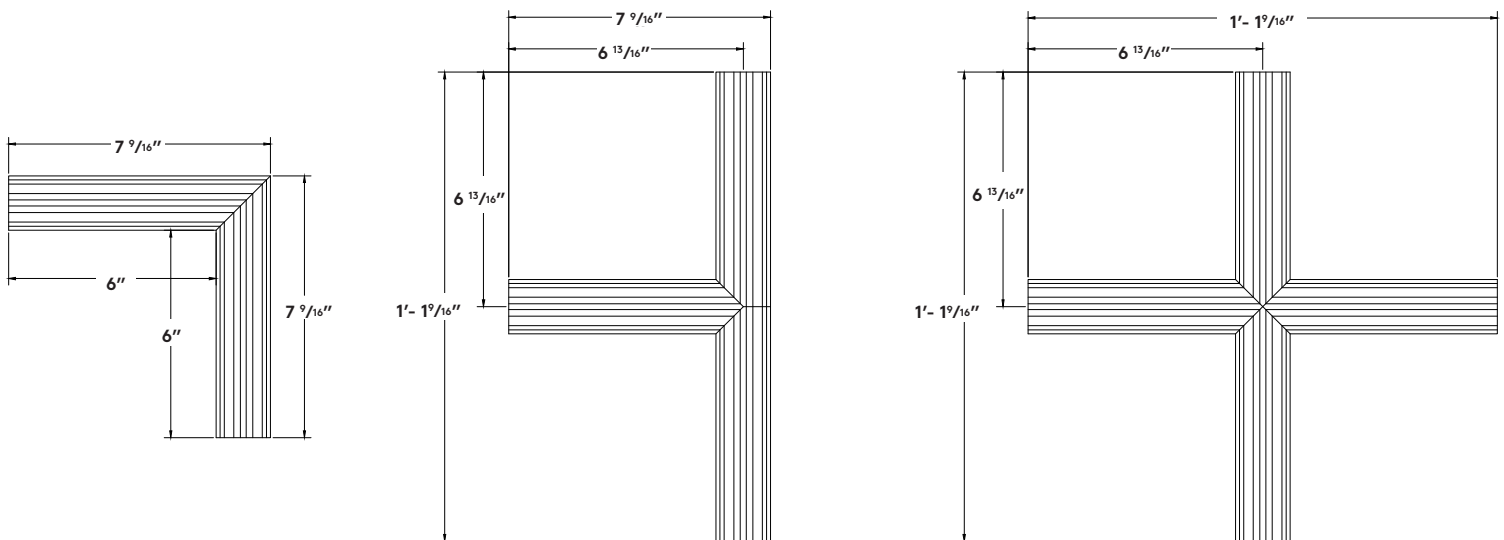
Project Specific Direct shapes/configurations:

Selux is capable of supplying a wide range of project solutions including different shapes, angles, and sizes to meet the project requirements. Due to the complex nature of these project specific layout(s) we ask that you please consult the factory with the project requirements for review.

“L” Section - Right (LR) and Left (LL)

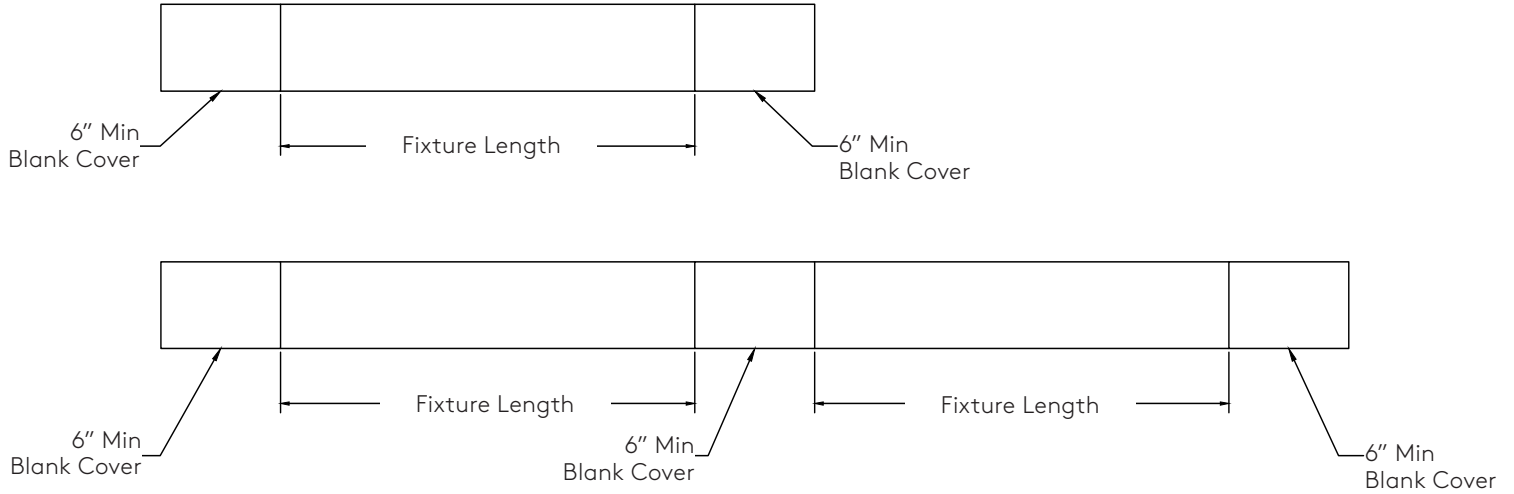
“T” Section (T)

“X” Section (X)



Blank Cover Placement (BC)

A minimum of 6" (152mm) of Blank Cover must be installed at the beginning and end of a run/configuration, as well as between any fixtures mounted to the rail. these covers conceal and provide access to wire make-ups. Blank Cover is field cuttable.



Aluminum Blank Cover is painted same as Miaura™ Rail unless specified otherwise.