

Date: _____ Customer: _____

Project: _____

Type: _____ Qty: _____



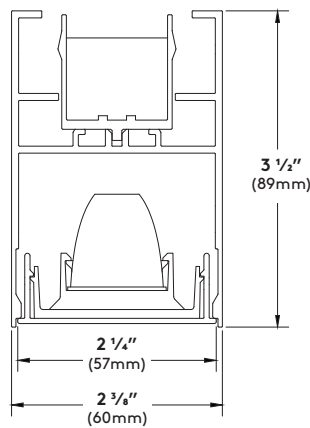
Miaura™ Piix™ MRC



Order Code: MPXL - - - - -

<u>MPXL</u>	Series	MPXL Miaura™ Piix™ MRC							
	Light Engine	1B48 ¹ 1125lm/11.3W per foot	1B40 ¹ 1000lm/ 9.5W per foot	1B30 ¹ 750lm/7.2W per foot	1B20 ¹ 500lm/4.8W per foot	¹ Values calculated from a 4' fixture @ 4000K using 35° (medium) reflector and DIM driver..			
	CCT	27 2700K	30 3000K	35 3500K	40 4000K	TW Tunable White (consult factory)			
	Optics	20 20° Narrow	35 35° Medium	50 50° Wide					
	Secondary Optics	CL Clear Cover	HX Hexcell Louver	DF Diffuse Lens	XX No Secondary Optics				
<u>RL</u>	Mounting	RL Miaura Rail (For Runs)							
	Nominal Fixture Length	02 2 ft.	03 3 ft.	04 4 ft.					
	Finish	WH White	BK Black	BL Semi-Matte Black	SV Silver	SP Specify Premium Color <i>Custom colors are available, Please consult factory</i>			
	Voltage	120 120 Volt	277 277 Volt	UNV 120 thru 277 50/60hz capable (consult factory)	347 347 Volt				
	Driver	DIM 0-10V (Linear)	DIL 0-10V (Logarithmic)	DED eidoLEDECO- drive DALI (Logarithmic)	DC2 ² Lutron 2-Wire	DCE Lutron Eco- System	DC5 ³ Lutron 5-Series	SR ³ Philips Xitanium SR DALI	² 120V only ³ Please consult factory
	Fixture Options	SS ⁴ Separate Switching	PH Phase Selection	**Sensor options are available. Please consult factory.			⁴ Only available with 4' nominal fixture		
	Emergency Options	EM Internal EM Battery Pack (consult factory)	EC Emergency Circuit Wiring						





Construction:

Housing - Continuous, low copper 6063-T6 extruded aluminum profile with cast aluminum endcaps.

Faceplate - Extruded aluminum profile with laser-cut cells for accuracy.

Baffles - Injection molded polycarbonate material with a semi-matte Black finish.

Reflectors - Precision-designed, injection molded polycarbonate material for accurate distributions and powerful lighting effects. Three different distributions - 20° Narrow (20), 35° Medium (35), or 50° Wide (50).

Optional Optics - Clear Cover (CL), Hexcell Louver (HX), or Diffuse Lens (DF) snaps in behind the baffle. Optics cannot be combined within the same cell.

Mounting(s) - Miaura™ Piix™ MRC modules are supplied with low-copper 6063-T6 extruded aluminum clips, which snap into the Miaura™ Rail profile (safety cables should be connected to Miaura™ Rail prior to module being installed on rail). Wiring (power and data) from Miaura™ Piix™ MRC is connected to tap-offs (located every 2 feet) from Miaura™ Rail, then covered with field-cuttable blank cover.

Standard Luminaire Lengths - All standard luminaires are supplied in nominal lengths to ensure even distribution of optical cells.

** Individual modules are not joinable in the field.

Exact Length Luminaires - Individual modules are available in exact lengths to meet your project needs. Please consult factory with your requirements.

Weight - 1.9 lb. per foot

Electrical/Performance:

LED Light Engine - Brand-name mid-power LEDs create a high efficiency LED light engine able to provide a lumen maintenance of 96% at 25,000 hours and 92% at 60,000 hours @ 25°C per TM-21 reports. Reported L70 greater than 60,000 hours.

Delivered Lumens - Due to the LED manufacturer's tolerances, the listed output has a ±5% tolerance. For outputs based on different optics or CCT, please see photometry section at the end.

CCT - Available in 2700K, 3000K, 3500K, and 4000K, tolerance within a 3-step MacAdam ellipse. My White Tunable White (TW) 2700K - 6500K available, please consult factory.

CRI - Minimum 90.

All Drivers - High efficient, constant current, soft start, Electronic Class 2 with a PFC>0.90. For more detailed information on the available drivers, please see page 4.

Thermal Performance:

Ambient Operating Temperature - Luminaires are suitable for Maximum ambient temperature of 35°C (95°F) for all drivers.

Luminaires are suitable for minimum ambient temperatures of:
-40°C (-40°F) for DIM, DIL, and DED drivers.
0°C (32°F) for DC2, DCE, and DC5 drivers.

Luminaire Finish:

Powder Coat - All Selux luminaires are finished in high quality polyester powder coating in our Tiger Drylac certified facility and are tested in accordance with test specifications for coatings from ASTM and PCI.

All products undergo a five stage intensive pretreatment process where product is thoroughly cleaned, phosphated, and sealed. Selux powder coated products provide excellent salt and humidity resistance as well as ultra violet resistance for color retention.

Standard colors for Miaura™ Piix™ MRC are White (WH), Black (BK), Semi-Matte Black (BL), and Silver (SV). Selux premium colors (SP) are available, please specify from your Selux color selection guide.

Warranty:

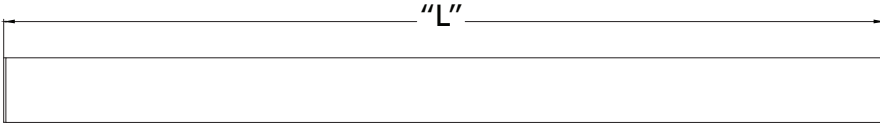
5 Year Limited LED Luminaire Warranty - Selux offers a 5 Year Limited Warranty to the original purchaser that the Miaura™ Piix™ MRC LED luminaire shall be free from defects in material and workmanship for up to five (5) years from date of shipment. This limited warranty covers the LED driver and LED light engine when installed according to Selux instructions and operated within the Ambient Temperature. For additional details and exclusions, see "Selux Terms and Condition of Sale."

Certifications and Compliance:

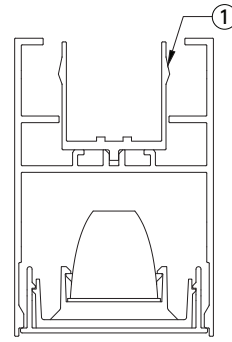
NRTL - For Dry location (I.E. cULus; cCSAus)
ADA Compliant
ARRA Compliant
RoHS Compliant

Fixture Lengths

Side View



Fixture Mounting
Cross-Section



1. Aluminum Snap Clip for easy tool-free installation
(min. two clips per fixture)

Nominal Length	"L" Actual Fixture Length	
	(Feet/Inch)	(mm)
02 (2 ft.)	2' - 1/4"	616
03 (3 ft.)	3' - 1/4"	921
04 (4 ft.)	4' - 1/4"	1226

*Dimension(s) rounded to the nearest 1/16" with a ± 1/16 (1mm) tolerance.

Drivers:

0-10V linear dimming (DIM)

Luminaires supplied with drivers offering the capability of either normal switched operation or 0-10V dimming for linear dimming curve. Fixtures ship wired for dimming. For on/off functionality, simply cap the dimming leads. Minimum dimming level preset at factory to 1%.

0-10V logarithmic dimming (DIL)

Luminaires supplied with drivers offering the capability of either normal switched operation or 0-10V dimming for logarithmic dimming curve. Fixtures ship wired for dimming. For on/off functionality, simply cap the dimming leads. Minimum dimming level preset at factory to 1%.

eldoLED ECOdrive DALI dimming (DED)

Luminaires supplied with ECOdrive DALI dimming driver for logarithmic dimming curve. Minimum dimming level preset at factory to 1%. For "dim to dark" (down to 0.1%), please consult factory.

* For control recommendations for eldoLED drivers, please consult eldoLED.

LUTRON 2-wire dimming (DC2)

Luminaires supplied with Hi-lume 2-wire dimming driver programmed for Constant Current Reduction (CCR). For Pulse Width Modulation (PWM) dimming, please consult factory. Minimum dimming level down to 1%.

LUTRON Ecosystem dimming (DCE)

Luminaires supplied with Hi-lume EcoSystem (4 wire, digital link) dimming driver programmed for Constant Current Reduction (CCR). For Pulse Width Modulation (PWM) dimming, please consult factory. Minimum dimming level down to 1%.

LUTRON Ecosystem 5-Series dimming (DC5)

Luminaires supplied with EcoSystem 5-Series dimming driver programmed for Constant Current Reduction (CCR) for Pulse Width Modulation (PWM) dimming, please consult factory. Minimum dimming level down to 5%.

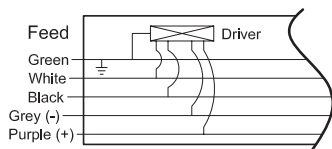
* For control recommendations and system layout for Lutron drivers, please contact Lutron.

Driver Quantity			
	2 ft.	3 ft.	4 ft.
DIM, DIL, and DED drivers	1	1	1
DC2, DC5, & DCE drivers	1	1	1

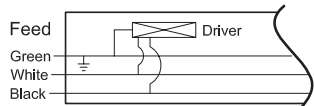
*For inrush and control current, please refer to the driver manufacturers' spec sheets.

Wiring Diagrams

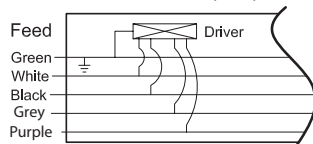
0-10V linear (DIM)
0-10V logarithmic (DIL)
DALI eldoLED ECOdrive (DED)



Lutron 2-Wire (DC2)

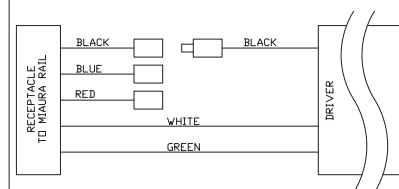


Lutron EcoSystem (DCE)
Lutron 5-Series (DC5)



Standard Wiring supplied for all drivers.	Green = Ground White = Neutral Black = Hot
For EC Option:	Blue = Neutral Red = Hot
-The following wire(s) are in addition to the standard above-	
DIM, DIL, & DED	Grey = (-) DALI or 0-10V Dimming control Purple = (+) DALI or 0-10V Dimming control
DC2	No additional wires
DCE DC5	Grey = "E1" Digital Link Dimming control Purple = "E2" Digital Link Dimming control

Phase Selection Diagram



To select fixture phase, simply insert the black wire plug from driver into the receptacle of the chosen phase (Black = Phase A [Single Phase], Blue = Phase B, Red = Phase C)

*Phase selection is not available with EC and SS options.

Separate Switching (SS) - 4' nominal luminaires available with separately switched 2' (nominal) sections. Luminaire is intended to be wired to the same panel/breaker (not intended for Emergency use).

- To specify this option, locations of these sections must be provided at time of order.

* If the project requires different separate switching than outlined above please consult the factory.

*For Separate Switching with sensors, please consult factory.

*Phase selection is not available with SS option.

Emergency Circuit (EC) - Luminaires with EC option compliant to UL 924 listed emergency luminaire. EC luminaires are intended to be wired to separate panels/breakers for emergency use.

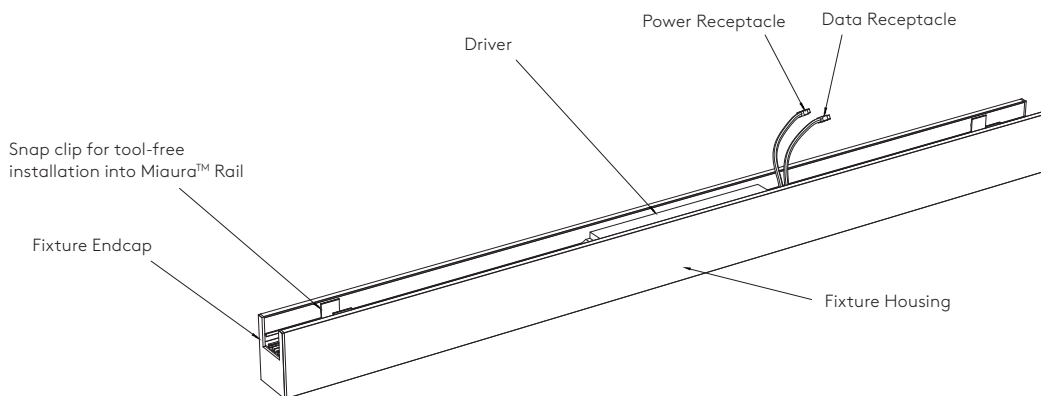
- For 2', 3', 4' nominal luminaires, the entire fixture is wired for operation on emergency circuit.

*If a different configuration is needed please consult the factory.

*For EC with sensors, please consult factory.

*Phase selection is not available with EC option.

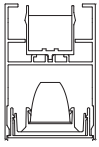
Snap Clip System



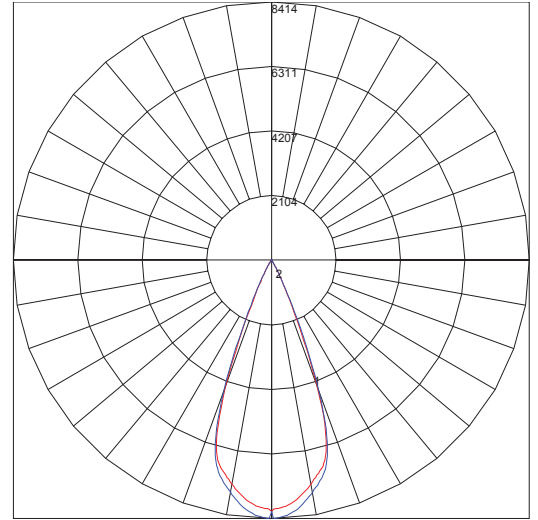
*DC2 does not have a data receptacle

Photometry

20° Optics / 45W LED / 4000K CCT

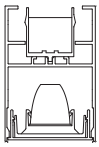


Catalog #: MPXL-1B48-40-20-XX-RL-04-XX-UNV
 Report #: 12184150.05 PXL
 Delivered Lumens: 3901
 Input Watts: 45.2W
 Efficacy: 86
 Power Factor: 0.990
 Total Harmonic Distortion 10.8
 CCT: 3962K
 CRI: 93.8
 Max Candela: 8414 @ .5° from Vertical
 Spacing Criterion (0-180): 0.72
 Spacing Criterion (90-270): 0.70
 Spacing Criterion (Diagonal): 0.74

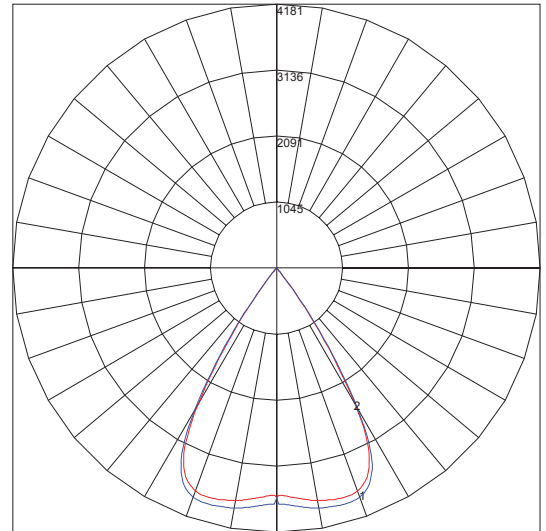


Maximum Candela = 8414 Located At Horizontal Angle = 0, Vertical Angle = .5
 # 1 - Vertical Plane Through Horizontal Angles (90 - 270)
 # 2 - Vertical Plane Through Horizontal Angles (0 - 180)

35° Optics / 45W LED / 4000K CCT

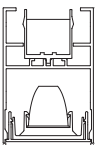


Catalog #:MPXL-1B48-40-35-XX-RL-04-XX-UNV
 Report #: 12184150.01B48
 Delivered Lumens: 4503
 Input Watts: 45.21 W
 Efficacy: 100
 Power Factor: 0.990
 Total Harmonic Distortion: 10.8
 CCT: 3962K
 CRI: 93.8
 Max Candela: 4181 @ 26.5° from Vertical
 Spacing Criterion (0-180): 1.14
 Spacing Criterion (90-270): 1.12
 Spacing Criterion (Diagonal): 1.18

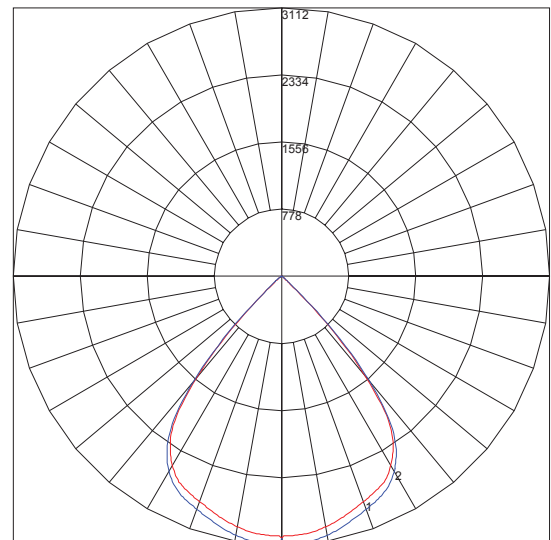


Maximum Candela = 4181 Located At Horizontal Angle = 45, Vertical Angle = 26
 # 1 - Vertical Plane Through Horizontal Angles (90 - 270)
 # 2 - Vertical Plane Through Horizontal Angles (0 - 180)

50° Optics / 45W LED /4000K CCT



Catalog #: MPXL-1B48-40-50-XX-RL-04-XX-UNV
 Report #: 12184150.04 PXL
 Delivered Lumens: 4746
 Input Watts: 45.2W
 Efficacy: 100
 Power Factor: 1.0
 Total Harmonic Distortion: 10.1
 CCT: 3962K
 CRI: 93.8
 Max Candela: 3112 @ .5° from Vertical
 Spacing Criterion (0-180): 1.26
 Spacing Criterion (90-270): 1.24
 Spacing Criterion (Diagonal): 1.34



Maximum Candela = 3112 Located At Horizontal Angle = 0, Vertical Angle = .5
 # 1 - Vertical Plane Through Horizontal Angles (90 - 270)
 # 2 - Vertical Plane Through Horizontal Angles (0 - 180)