

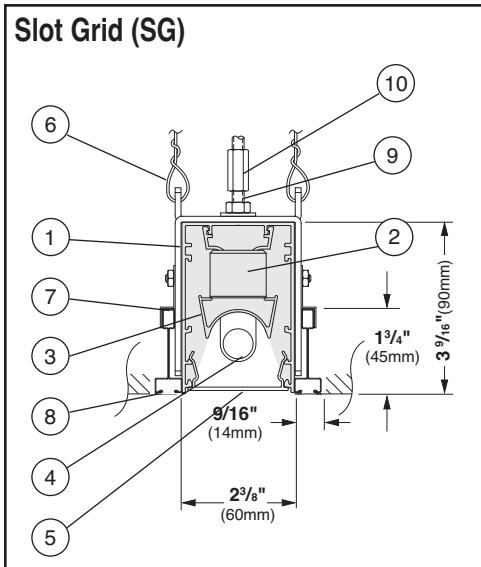


**Project:** \_\_\_\_\_ **Type:** \_\_\_\_\_ **Qty:** \_\_\_\_\_

<b>M60</b>	_____	_____	_____	_____	_____	_____
<b>Series</b>	<b>Lamp Type</b>	<b>Shielding</b>	<b>Mounting</b>	<b>Nominal Length</b>	<b>Finish</b>	<b>Voltage</b>
_____	_____	_____	_____	_____	_____	_____

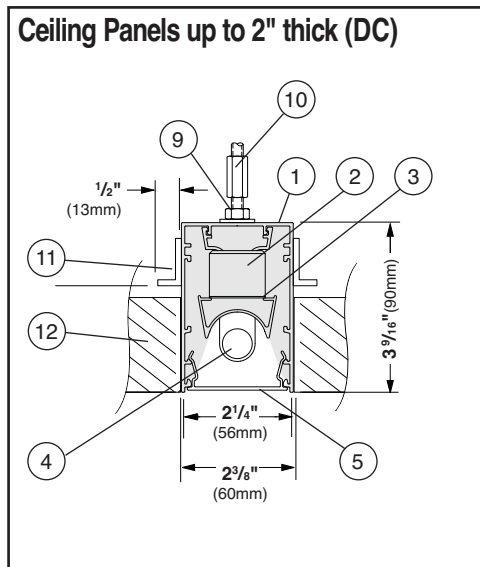
**Options**

Series	Lamp Type	Shielding	Mounting	Nominal Length	Finish	Voltage	Options
<b>M60</b> M60 Recessed Multi-Mount Form	<b>1T5</b> F28T5	<b>SD</b> Satine Lens	<b>SG</b> Slot Grid  <b>DC</b> Ceiling Panels up to 2" thick (lengths per submittal drawings)	<b>004</b> 4 foot	<b>WH</b> White	<b>120</b>  <b>277</b>  <b>347</b>	<b>TB</b> Lengths to Fit 2' Grid T-Bar Ceiling System (qty) <b>EMN</b> <sup>1</sup> Stand-by Battery Pack (prefix quantity, i.e. - <b>5EMN</b> ) <b>FS</b> Single Fusing <b>DM</b> <sup>1</sup> Dimming (specify system) <b>DMA</b> <sup>1</sup> Digital Addressable Dimming <b>FW</b> Flex Whip (standard) <b>FW1</b> Flex Whip (dimming) <b>Track</b> <sup>2</sup> Eutrac Standard <b>DL</b> Suitable for Damp Locations <b>CCEA</b> Chicago Plenum <b>Downlights</b>
	<b>1T5HO</b> F54T5HO	<b>OD</b> Extra Diffuse Lens		<b>005</b> <sup>4</sup> 5 foot	<b>BK</b> Black		
				<b>008</b> 8 foot	<b>SV</b> Silver		
				<b>012</b> 12 foot	<b>SP</b> Specify Premium Color		
For actual lengths see following page. For other lengths, configurations indicate nominal length rounded to the next highest foot. Factory will supply layout drawings. Individual fixtures cannot be field joined.							
<sup>1</sup> Must be low profile ballasts (1 <sup>3</sup> / <sub>8</sub> " W x 1 <sup>3</sup> / <sub>16</sub> " H); consult factory for details. <sup>2</sup> Consult factory for details. <sup>3</sup> For 5 ft. dimming, consult factory.							



- Housing** - Continuous, 6063-T5 extruded aluminum profile up to 16 feet long.
- Ballast** - Electronic, high power factor, class "P," type "A" sound rating. Specify 120V, 277V, or 347V. Ballast is factory pre-wired with leads to one end of fixture. Consult factory for ballast options.
- Gear Tray** - Extruded aluminum, with white painted finish. Gear tray installed as a complete electrical

- unit and is held in place with knurled dress nuts. It is fully accessible from below ceiling.
- Lamps** - As noted (by others). Other lamp lengths or wattages available, consult factory.
- Shielding** - Extruded, impact resistant acrylic snap in lens: Extra diffuse (OD) or satine (SD).
- Support Wire to Structure** - Supplied and installed by others.



- Support Bracket** - Supplied nominally every four feet.
- Slot Grid Beam and Cross Tees** - Supplied and installed by others.
- Pre-installed 1" 1/4-20 Stud** - See page 2 for details.
- Coupling and Threaded Rod to Structure** - Supplied and installed by others.

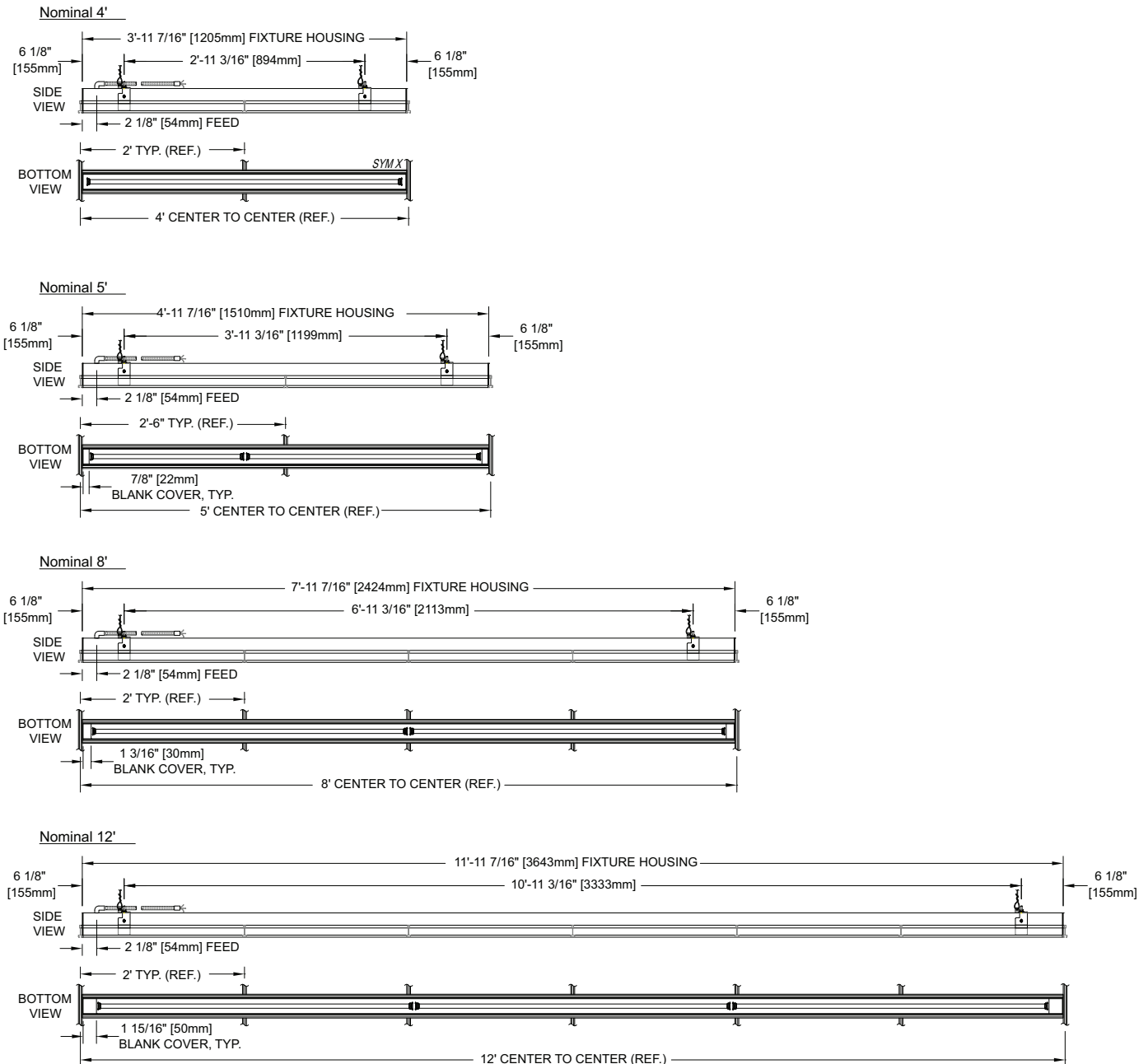
**11. Aluminum Angle Brackets** - Run entire length of fixture to block view into plenum area from below fixture.

**12. Ceiling Panels up to 2" Thick** - Supplied and installed by others. Suitable for Decoustic® ceiling panel installations. Other ceiling systems possible, please consult factory. Decoustic® is a registered trademark of Decoustics Ltd. Corporation.

**Interior Luminaire Finish** - Selux utilizes a high quality Polyester Powder Coating. All Selux luminaires are finished in our Tiger Drylac certified facility and undergo a five stage intensive pretreatment process where product is thoroughly cleaned, phosphated, and sealed. Selux powder coated products provide excellent salt and humidity resistance as well as ultra-violet resistance for color retention. All products are tested in accordance with test specifications for coatings from ASTM and PCI.

Standard interior colors are White (WH), Black (BK), and Silver (SV). Selux premium colors (SP) are available, please specify from your Selux color selection guide.

## M60 Slot Grid Layout Dimensions



**Fixture supplied with 7/8 Feed Hole located 2 1/8" from end in top of fixture.**

For other lengths, lamping, continuous runs or configurations please specify overall length (in feet), accessories desired and sketch/drawing of configuration. Selux will detail project drawings upon order and supply submittal drawings for approval. Individual fixtures cannot be field joined. If you have any questions please contact Selux customer service or applications engineering for assistance (1-800-SELUX-CS).