

M60 Recessed Linear Fluorescent Slot Grid / Thick Ceiling Panel - STAGGERED LAMPS



Project: _____ **Type:** _____ **Qty:** _____

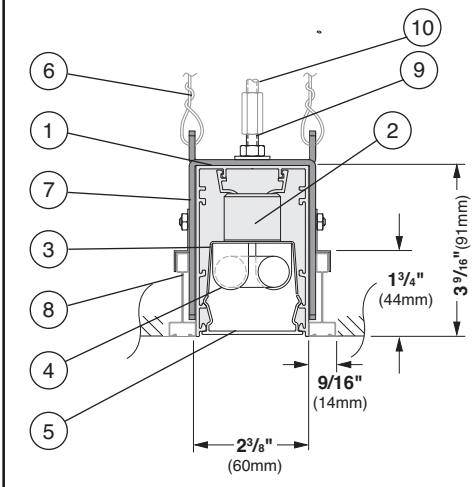
M60S	_____	_____	_____	_____	_____	_____
Series	Lamp Type	Shielding	Mounting	Nominal Length	Finish	Voltage
_____	_____	_____	_____	_____	_____	_____

Options

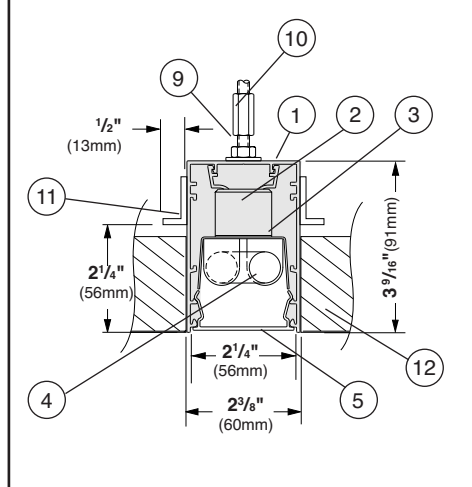
Series	Lamp Type	Shielding	Mounting	Nominal Length	Finish	Voltage	Options
M60S M60 Recessed Multi-Mount Form Staggered Lamps	1T5 F28T5	OD Extra Diffuse Lens	SG Slot Grid	008 8 foot	WH White	120	(qty)EMN ¹ Stand-by Battery Pack (prefix quantity, i.e. - 5EMN) FS Single Fusing DM ¹ Dimming (specify system) DMA ¹ Digital Addressable Dimming FW Flex Whip (standard) FW1 Flex Whip (dimming) Track ² Eutrac Standard DL Suitable for Damp Locations CCEA Chicago Plenum Downlights
	1T5HO F54T5HO	SD Satine Lens	DC Ceiling Panels up to 2" thick (lengths per submittal drawings)	005 5 foot	BK Black	277	
				012 12 foot	SV Silver	347	
				For actual lengths see following page. For other lengths, configurations indicate nominal length rounded to the next highest foot. Factory will supply layout drawings. Individual fixtures cannot be field joined.	SP Specify Premium Color		

¹Must be low profile ballasts (1³/₈" W x 1³/₁₆" H); consult factory for details. ²Consult factory for details.

Slot Grid (SG)



Ceiling Panels up to 2" thick (DC)



10. Coupling and Threaded Rod to Structure - Supplied and installed by others.

11. Aluminum Angle Brackets - Run entire length of fixture to block view into plenum area from below fixture.

12. Ceiling Panels up to 2" Thick - Supplied and installed by others. Suitable for Decoustic[®] ceiling panel installations. Other ceiling systems possible, please consult factory. Decoustic[®] is a registered trademark of Decoustics Ltd. Corporation.

Interior Luminaire Finish - Selux utilizes a high quality Polyester Powder Coating. All Selux luminaires are finished in our Tiger Drylac certified facility and undergo a five stage intensive pretreatment process where product is thoroughly cleaned, phosphated, and sealed. Selux powder coated products provide excellent salt and humidity resistance as well as ultraviolet resistance for color retention. All products are tested in accordance with test specifications for coatings from ASTM and PCI.

Standard interior colors are White (WH), Black (BK), and Silver (SV). Selux premium colors (SP) are available, please specify from your Selux color selection guide.

1. Housing - Continuous 6063-T5 extruded aluminum profile up to 16 feet long.

2. Ballast - Electronic, high power factor, class "P," type "A" sound rating. Specify 120V, 277V, or 347V. Ballast is factory pre-wired with leads to one end of fixture. Consult factory for ballast options.

3. Gear Tray - Die formed gear tray with integral factory preset sliding covers to fill extrusion with light, with

a matte white finish for even illumination. Geartray installs as complete electrical unit and is held in place with knurled dress nuts. It is fully accessible from below ceiling.

4. Lamps - As noted (by others). Other lamp lengths or wattages available, consult factory.

5. Shielding - Extruded, impact resistant acrylic snap in lens: Extra diffuse (OD) or satine (SD).

6. Support Wire to Structure - Supplied and installed by others.

7. Support Bracket - Supplied nominally every four feet.

8. Slot Grid Beam and Cross Tees - Supplied and installed by others.

9. Pre-installed 1" 1/4-20 Stud - See page 2 for details.

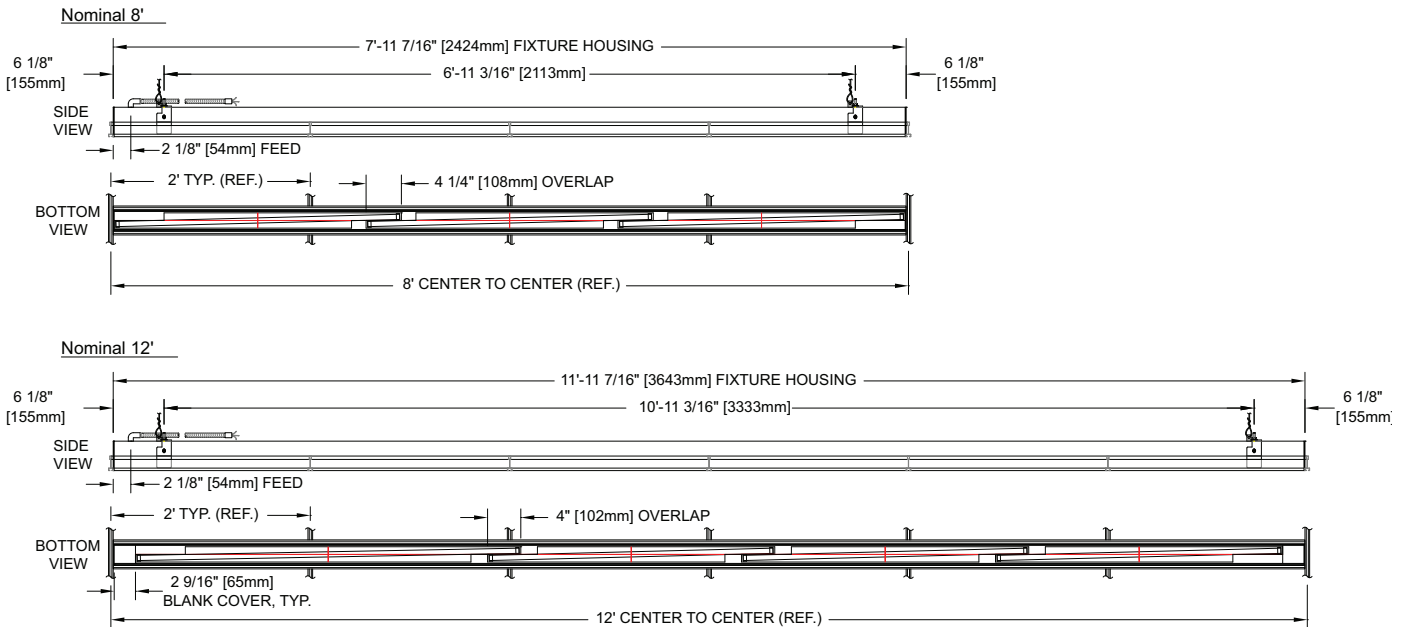


Union Made Affiliated
with IBEW Local 363

Selux Corp. © 2018
TEL (845) 834-1400
FAX (845) 834-1401
www.selux.us
M60S-SG-0118-01 (v6.4)

In a continuing effort to offer the best product possible, we reserve the right to change, without notice, specifications or materials that in our opinion will not alter the function of the product. Specification sheets found at www.selux.us are the most recent versions and supercede all other printed or electronic versions.

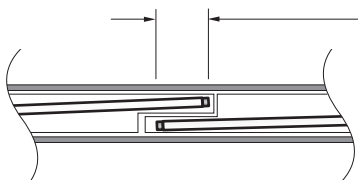
M60S (Single Staggered Lamps) Slot Grid Layout Dimensions



Fixture supplied with 7/8 Feed Hole located 2 1/8" from end in top of fixture.

For other lengths, lamping, continuous runs or configurations please specify overall length (in feet), accessories desired and sketch/drawing of configuration. Selux will detail project drawings upon order and supply submittal drawings for approval. Individual fixtures cannot be field joined. If you have any questions please contact Selux customer service or applications engineering for assistance (1-800-SELUX-CS).

Staggered Lamps Principle



Lamps are spaced with 4" to 6" overlap to completely illuminate luminaire and eliminate socket shadows. Factory will supply approval drawings for other lengths using combinations of 21W & 28W T5 lamps or 39W & 54W T5HO lamps.

Minimal socket shadows may be visible at certain angles.