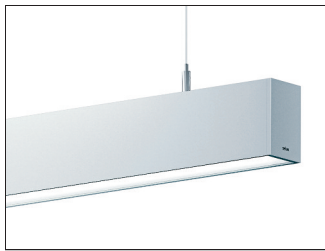


M60 Linear Fluorescent Direct / Indirect Pendant & Wall

selux



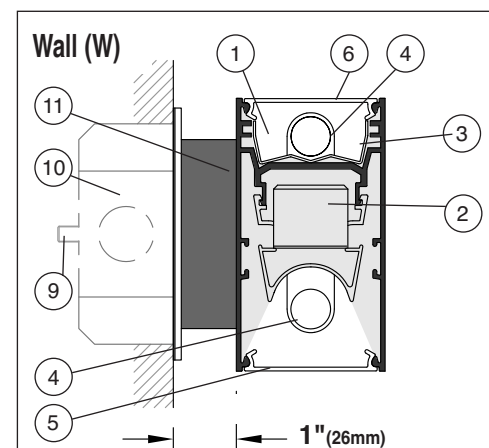
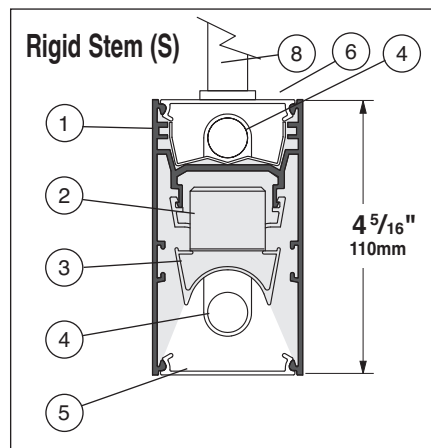
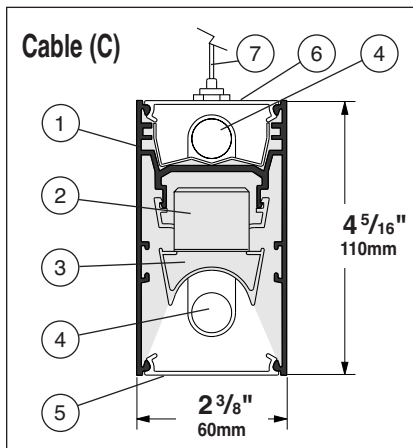
Project: _____ **Type:** _____ **Qty:** _____

M6DI	-	-	-	-	-	-	-
Series	Lamping	Direct Shielding	Indirect Shielding	Mounting	Linear Footage	Finish	Voltage
-	-	-	-	-	-	-	-

Options (refer to separate data sheets for ordering codes and details)

Series	Lamping	Direct Shielding	Mounting	Linear Footage	Finish	Voltage	Options
M6DI M60 Direct/Indirect	2T5 2x F28T5	SD Satine Lens	C Cable	004 4 foot	WH White	120	(qty)EM Stand-by Battery Pack ^{2,3} (prefix quantity, i.e. - 5EM)
	2T5HO ¹ 2x F54T5HO	OD Extra Diffuse Lens	S Stem	008 8 foot	BK Black	277	FS Single Fusing
			RS Rigid Stem	012 12 foot	SV Silver	347	DM Dimming ² (specify desired system)
			W Wall	For other lengths/ configurations, indicate nominal length rounded to the next highest foot using three digits. Factory will supply layout drawings. Individual fixtures cannot be field joined.	SP Specify Premium Color		DMA Digital Addressable Dimming ²
		Indirect Shielding					DL Suitable for Damp locations
		SD Satine Lens					Downlights
		OD Extra Diffuse Lens					
		X None					

¹ Must be standard non-dimming, non-EM 90°C ballast. ² Must be low profile ballasts (1³/₁₆" wide x 1³/₁₆" high); consult factory for details. ³ Not available with indirect shielding option.



1. Housing - Continuous, 6063-T5 extruded aluminum profile up to 16 feet long.

2. Ballast - Electronic, high power factor, class "P", type "A" sound rating. Specify 120v, 277v, or 347v. Ballast is factory pre-wired with leads to one end of fixture. Consult factory for ballast options.

3. Gear Tray - Die formed tray with specular aluminum reflector. Gear tray installs as complete electrical unit and is held in place with 1/4 turn latches. It is fully accessible from below ceiling.

4. Lamps - As noted (by others). Other lamp lengths or wattages available; consult factory.

5. Shielding - Extruded, impact resistant acrylic snap in lens: Extra diffuse (OD) or satine (SD).

6. Indirect Shielding - Choose SD Satine Lens or OD Extra Diffuse Lens. Requires 90°C Ballast. Not available with EM option.

7. 1/16" Aircraft Cable Suspension - Supplied with chrome gripper for easy adjustment. 48" max suspension from

ceiling to top of luminaire. (See p.100 for more details.)

8. 5/8" Steel Swivel Stem or Rigid Stem Suspension - Swivel Stem provides 30° swivel rotation and can be cut in field; Rigid Stem is not field cut-able. 48" max suspension from ceiling to top of luminaire. (See p.100 for details.)

9. Ø1/4" Threaded Rod - To anchor Wall Bracket supplied and installed by others.

10. Outlet box - Supplied and installed by others.

11. Wall Bracket - 4" square aluminum wall bracket provided. See layout pages for details.

Interior Luminaire Finish - Standard interior colors are White (WH), Black (BK) and Silver (SV). RAL colors (SP) are available, please specify RAL#.

Selux Corp. © 2018
TEL (845) 834-1400
FAX (845) 834-1401

NRTL Listed (i.e. UL, CSA)

Union Made Affiliated
with IBEW Local 363



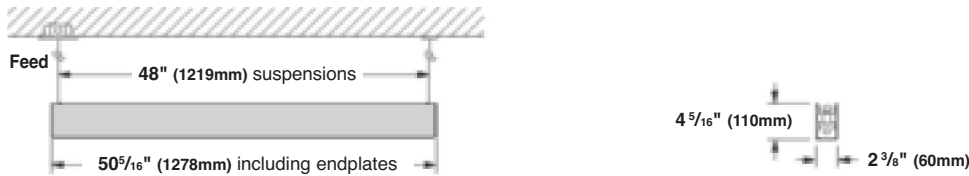
www.selux.us

M6DI-0118-01 (SS-v5.65)

In a continuing effort to offer the best product possible, we reserve the right to change, without notice, specifications or materials that in our opinion will not alter the function of the product. Specification sheets found at www.selux.com/usa are the most recent versions and supercede all other printed or electronic versions.

M6DI Pendant Mount/Wall Standard Layout Dimensions

Nominal 4 foot Individual - side view



Nominal 4 foot Individual - top view



Nominal 8 foot Individual - top view



Nominal 12 foot Individual - top view

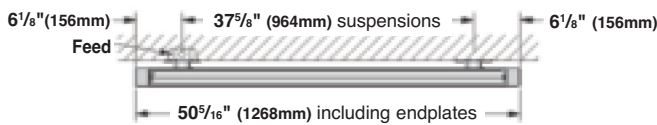


M6DI Wall Layout Dimensions (option - W)

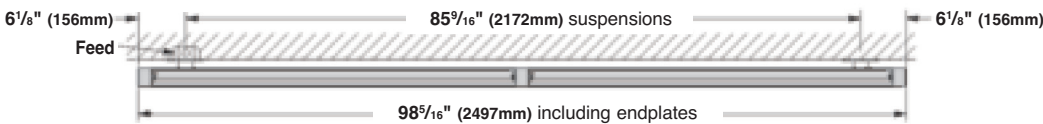
Nominal 4 foot Individual - side view



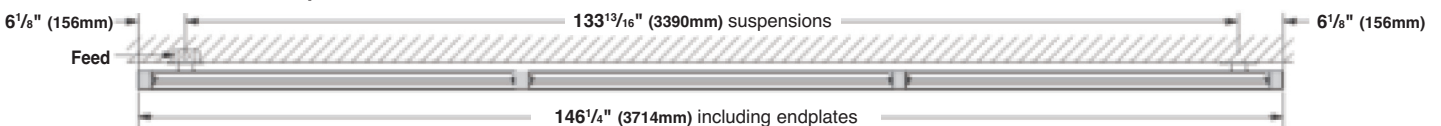
Nominal 4 foot Individual - top view



Nominal 8 foot Individual - top view



Nominal 12 foot Individual - top view



	2T5 / 2T5HO		
	Including Endplates	Pendant Suspensions	Wall Suspensions
4 foot individual	50.31" (1278mm)	48.00" (1219mm)	37.59" (954mm)
8 foot individual	98.31" (2497mm)	96.00" (2438mm)	85.54" (2172mm)
12 foot individual	146.25" (3714mm)	144.00" (3658mm)	133.46" (3390mm)

For other lengths, lamping, continuous runs or configurations please specify overall length (in feet), accessories desired and sketch/drawing of configuration. SELUX will detail project drawings upon order and supply submittal drawings for approval. Individual fixtures cannot be field joined. If you have any questions please contact SELUX customer service or applications engineering for assistance (1-800-SELUX-CS).