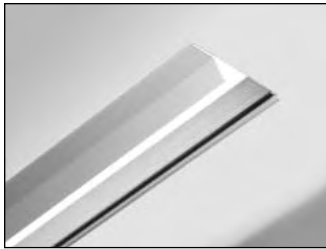


M100 Recessed Wall Washer Linear Fluorescent Spackle Flange



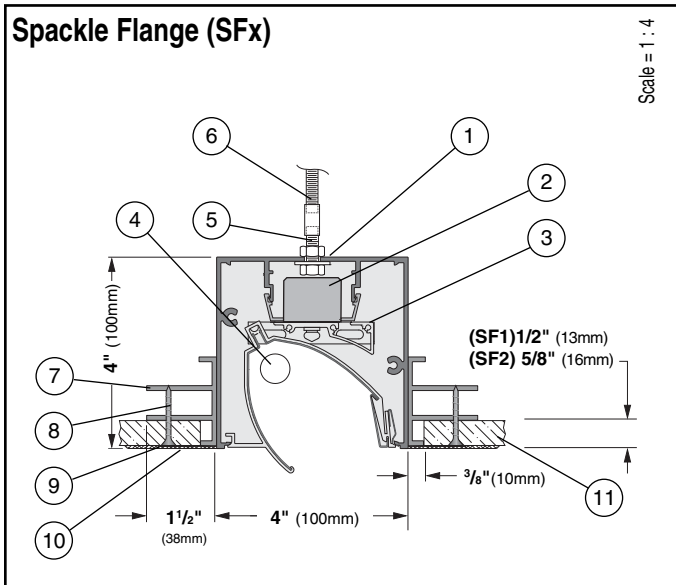
Project: _____ **Type:** _____ **Qty:** _____

M1W0	---	---	---	---	---
Fixture Series	Lamp Type	Mounting	Nominal Length	Finish	Voltage
---	---	---	---	---	---

Options (refer to separate data sheets for ordering codes and details)

Fixture Series	Lamp Type	Mounting	Nominal Length	Finish	Voltage	Options
M1W0 M100 Wall Washer Multi-Mount Form	1T5 F28T5	SF1 Spackle Flange (1/2" dry wall)	004 4 foot	WH White	120	TB Lengths to Fit 2' Grid T-Bar Ceiling System <i>(qty.)EM</i> Stand-by Battery Pack ¹ (prefix quantity, i.e. - 5EM) FS Single Fusing DM Dimming ¹ (specify system) DMA Digital Addressable Dimming ¹ FW Flex Whip (standard) FW1 Flex Whip (dimming) DL Suitable for Damp Locations CCEA Chicago Plenum
	1T5HO F54T5HO	SF2 Spackle Flange (5/8" dry wall)	008 8 foot 012 12 foot For actual lengths see following page. For other lengths, configurations indicate nominal length rounded to the next highest foot. Factory will supply lay- out drawings. Individual fix- tures cannot be field joined.	BK Black SV Silver SP Specify RAL#	277 347	

¹Must be low profile ballasts (Consult factory for details); consult factory for details.



- Housing** - Continuous, 6063-T5 extruded aluminum profile up to 16 feet long. Joined with Connector Plus Joining System for ease of installation and to assure a uniform appearance.
 - Ballast** - Electronic, high power factor, class "P", type "A" sound rating. Specify 120v, 277v, or 347v. Ballast is factory pre-wired with leads to one end of fixture. Consult factory for ballast options.
 - Gear Tray** - Extruded aluminum with white painted finish. Gear tray installed as a complete electrical unit and is held in place with knurled dress nuts. It is fully accessible from below ceiling.
 - Lamps** - As noted (by others). Other lamp lengths or wattages available, consult factory.
 - Pre-installed 1" 1/4-20 Stud** - Attached to fixture every nominal 4 feet.
 - Coupling Hardware and Threaded Rod to Structure** - Supplied and installed by others.
 - Spackle Flange** - For 1/2" (SF1) or 5/8" (SF2) thick sheet rock, installed at factory.
 - Dry Wall Screw** - Supplied and installed by others.
 - Fiberglass Sheetrock Tape** - Supplied and installed by others.
 - Plaster Skimcoat 1/16"** - Supplied and installed by others.
 - Plaster Board** - Supplied and installed by others. For 1/2" thick specify SF1; for 5/8" thick specify SF2.
 - Mounting** - 2' - 4' setback from vertical wall suggested for optimal performance in most wall wash applications.
- Interior Luminaire Finish** - Standard interior colors are White (WH), Black (BK) and Silver (SV). RAL colors (SP) are available, please specify RAL#.

SELUX Corp. © 2010
 TEL: (845) 691-7723
 FAX: (845) 691-6749
 www.selux.com/USA
 M1W0_SF-01 (v5.54)



Union Made Affiliated
 with IBEW Local 363

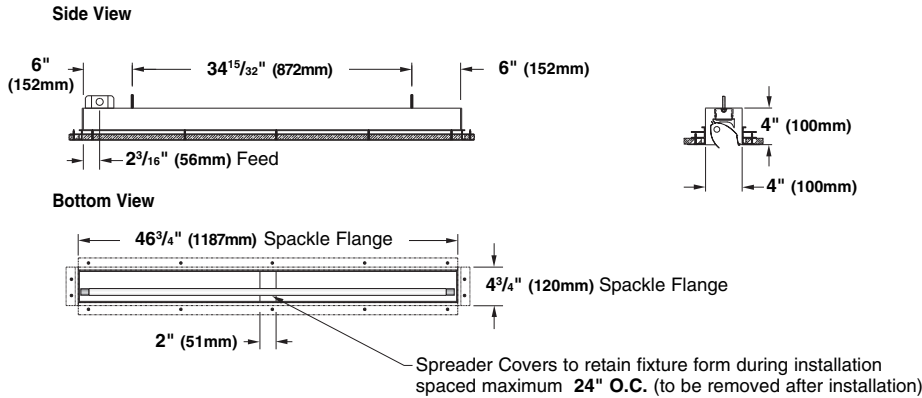
In a continuing effort to offer the best product possible, we reserve the right to change, without notice, specifications or materials that in our opinion will not alter the function of the product. Specification sheets found at www.selux.com/usa are the most recent versions and supercede all other printed or electronic versions.

M1W0 Spackle Flange Layout Dimensions

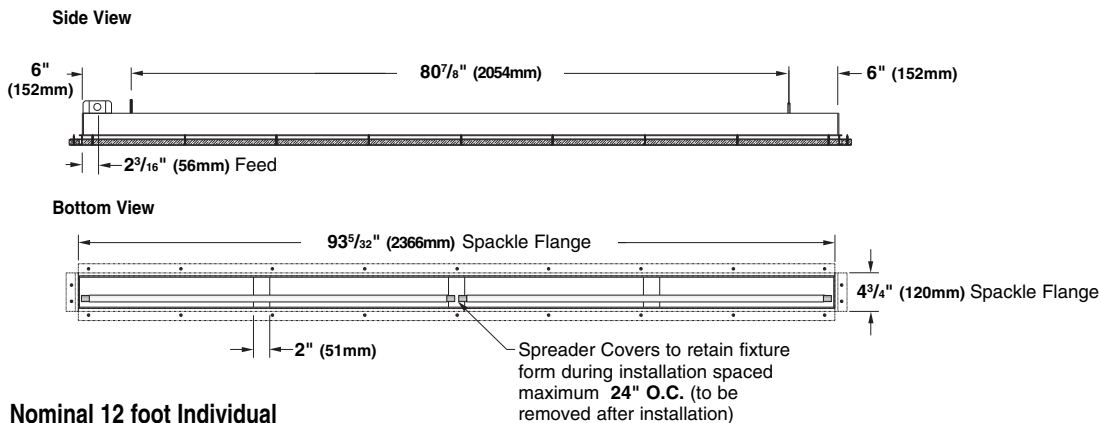
For T5 lamps only, for other lampping consult factory.

Nominal 4 foot Individual

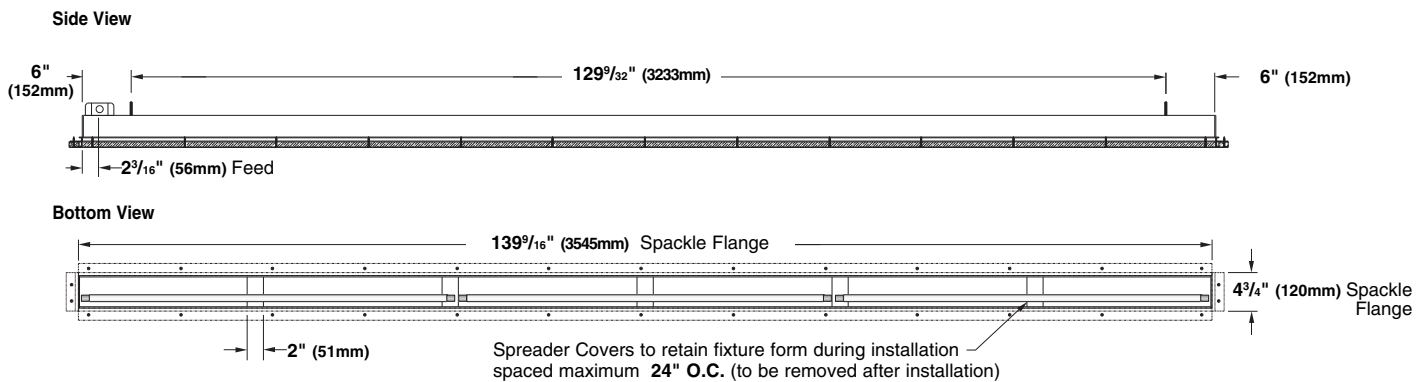
Typical End View (all lengths)



Nominal 8 foot Individual



Nominal 12 foot Individual



Fixture supplied with 7/8 knockout located 2 3/16" from end in top of fixture.

For other lengths, lampping, continuous runs or configurations please specify overall length (in feet), accessories desired and sketch/drawing of configuration. SELUX will detail project drawings upon order and supply submittal drawings for approval. Individual fixtures cannot be field joined. If you have any questions please contact SELUX customer service or applications engineering for assistance (1-800-SELUX-CS).