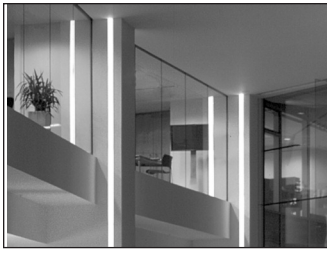


# M100 Recessed Linear Fluorescent Spackle Flange

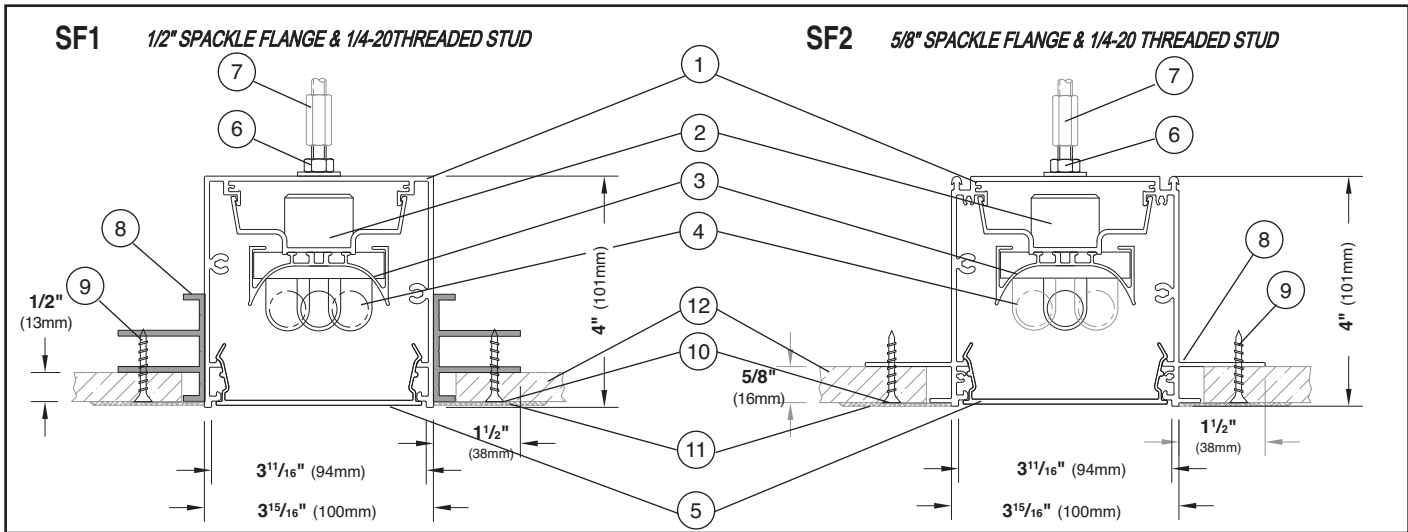


**Project:** \_\_\_\_\_ **Type:** \_\_\_\_\_ **Qty:** \_\_\_\_\_

<b>M10</b>	_____	_____	_____	_____	_____	_____	_____
<b>Series</b>	<b>Lamping</b>	<b>Shielding</b>	<b>Mounting</b>	<b>Nominal Length</b>	<b>Finish</b>	<b>Voltage</b>	<b>Option</b>
_____	_____	_____	_____	_____	_____	_____	_____
<b>Option</b>	<b>Option</b>	<b>Option</b>	<b>Option</b>	<b>Option</b>	<b>Option</b>	<b>Option</b>	<b>Option</b>

Series	Lamping	Shielding	Mounting	Nominal Length	Finish	Voltage	Options
<b>M10</b> M100 Recessed Multi-Mount Form	<b>1T5</b> F28T5	<b>SD</b> Satine Lens	<b>SF1</b> Spackle Flange (1/2" dry wall)	<b>004</b> 4 foot	<b>WH</b> White	<b>120</b>	<b>(qty.)EM</b> Stand-by Battery Pack <sup>1</sup> (prefix quantity, i.e. - <b>5EM</b> ) <b>FS</b> Single Fusing <b>DM</b> Dimming <sup>1</sup> (specify system) <b>DMA</b> Digital Addressable Dimming <sup>1</sup> <b>FW</b> Flex Whip (standard) <b>FW1</b> Flex Whip (dimming) <b>Track</b> Eutrac Standard <sup>2</sup> <b>DL</b> Suitable for Damp Locations <b>CCEA</b> Chicago Plenum Downlights
	<b>2T5</b> (2x)F28/T5	<b>OD</b> Extra Diffuse Lens		<b>008</b> 8 foot	<b>BK</b> Black	<b>277</b>	
	<b>1T5HO</b> F54T5HO	<b>X</b> None	<b>SF2</b> Spackle Flange (5/8" dry wall)	<b>012</b> 12 foot	<b>SV</b> Silver	<b>347</b>	
	<b>1T8</b> F32T8			For actual lengths see following page. For other lengths, configurations indicate nominal length rounded to the next highest foot. Factory will supply layout drawings. Individual fixtures cannot be field joined.	<b>SP</b> Specify Premium Color		

<sup>1</sup> Must be low profile ballasts (1 1/2" W x 1 3/16" H); consult factory for details. <sup>2</sup> Consult factory for details.



**1. Housing** - Continuous 6063-T5 extruded aluminum profile up to 16 feet long. Joined with Connector Plus Joining System for ease of installation and to assure a uniform appearance.

**2. Ballast** - Electronic, high power factor, class "P," type "A" sound rating. Specify 120v, 277v, or 347v. Ballast is factory pre-wired with leads to one end of fixture. Consult factory for ballast options.

**3. Gear Tray** - Extruded aluminum, with white painted finish. Gear tray installed as a complete electrical unit and is held in place with knurled dress nuts. It is fully accessible from below ceiling.

**4. Lamps** - As noted (by others). Other lamp lengths or wattages available, consult factory.

**5. Shielding** - Extruded, impact resistant acrylic snap in lens: Extra diffuse (OD) or satine (SD).

**6. Pre-installed 1" 1/4-20 Stud** - Attached to fixture every nominal 4 feet. Coupling and threaded rod Supplied and installed by others.

**7. Coupling and Threaded Rod to Structure** - Supplied and installed by others.

**8. Spackle Flange** - For 1/2" (SF1) or 5/8" (SF2) thick sheet rock, installed at factory. Fixtures must be installed before sheetrock.

**9. Dry Wall Screw** - Supplied and installed by others.

**10. Fiberglass Sheetrock Tape** - Supplied and installed by others.

**11. Plaster Skimcoat 1/16"** - Supplied and installed by others.

**12. Plaster board** - Supplied and installed by others. For 1/2" thick specify SF1; for 5/8" thick specify SF2.

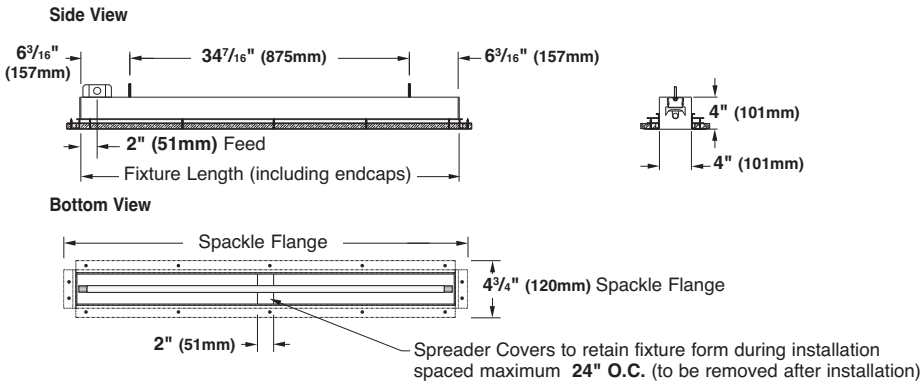
**Interior Luminaire Finish** - Selux utilizes a high quality Polyester Powder Coating. All Selux luminaires are finished in our Tiger Drylac certified facility and undergo a five stage intensive pretreatment process where product is thoroughly cleaned, phosphated, and sealed. Selux powder coated products provide excellent salt and humidity resistance as well as ultra violet resistance for color retention. All products are tested in accordance with test specifications for coatings from ASTM and PCI.

Standard interior colors are White (WH), Black (BK), and Silver (SV). Selux premium colors (SP) are available, please specify from your Selux color selection guide.

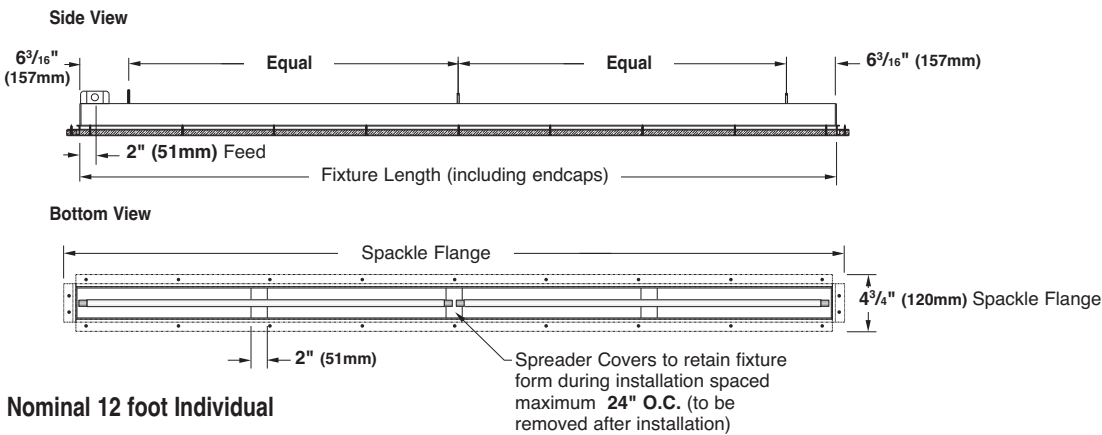
## M10 Spackle Flange Layout Dimensions

### Nominal 4 foot Individual

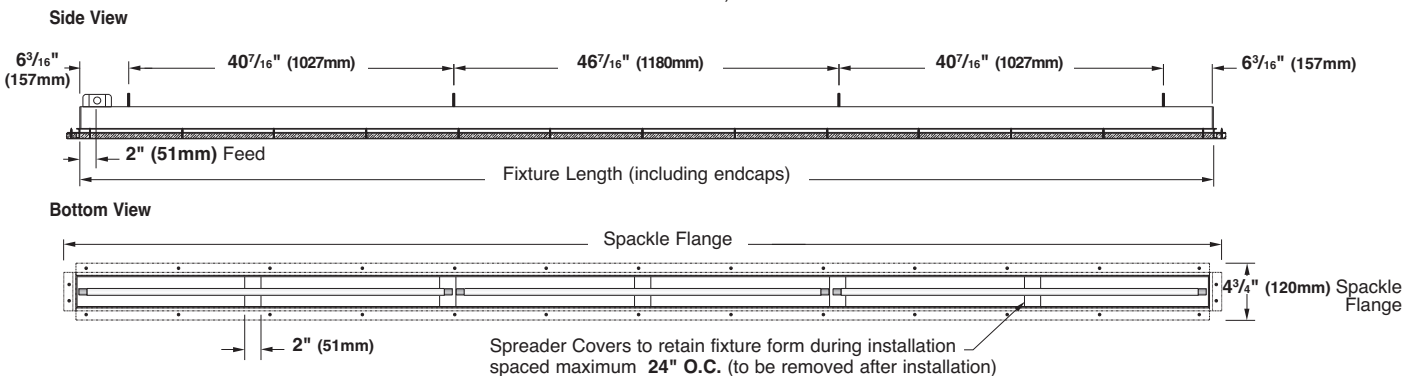
### Typical End View (all lengths)



### Nominal 8 foot Individual



### Nominal 12 foot Individual



Fixture supplied with 7/8 knockout located 2 3/16" from end in top of fixture.

	T5 (1 or 2 lamp)		T8 (1 lamp)	
	M10-xT5-xx-SFx		M10-1T8-xx-SFx	
	Fixture Length	Spackle Flange	Fixture Housing	Spackle Flange
<b>4 foot individual</b>	46.81" (1189mm)	46.75" (1187mm)	48.37" (1229mm)	51.37" (1305mm)
<b>8 foot individual</b>	93.21" (2368mm)	93.15" (2386mm)	96.41" (2449mm)	99.41" (2525mm)
<b>12 foot individual</b>	139.65" (3547mm)	139.56" (3545mm)	144.45" (3669mm)	147.45" (3745mm)

Fixtures must be installed before sheetrock. For other lengths, lamping, continuous runs or configurations please specify overall length (in feet), accessories desired and sketch/drawing of configuration. Selux will detail project drawings upon order and supply submittal drawings for approval. Individual fixtures cannot be field joined. If you have any questions, contact Selux customer service or applications engineering for assistance (1-800-SELUX-CS).