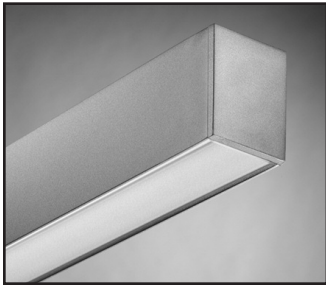


M100[®] Linear Fluorescent Direct/Indirect Pendant & Wall

selux



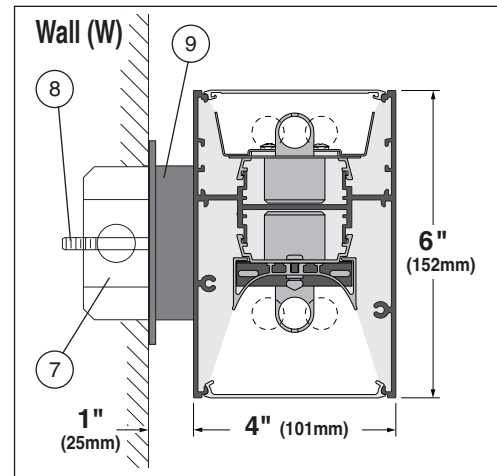
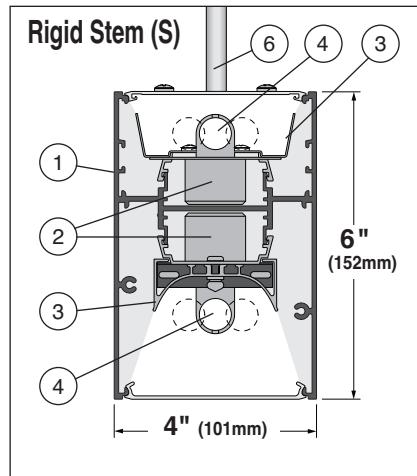
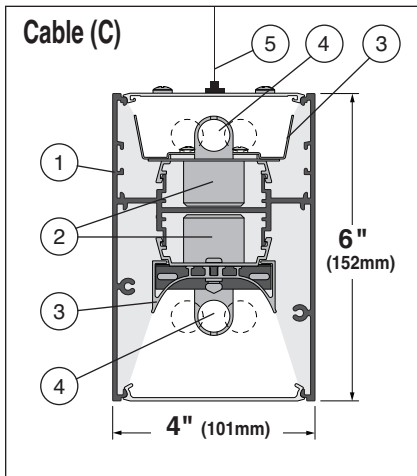
Project: _____

Type: _____ **Qty:** _____

Series	Lamping	Direct Shielding	Indirect Shielding	Mounting	Linear Footage	Finish	Voltage
Options	Options	Options	Options	Options	Options		

Series	Lamping	Direct Shielding	Mounting	Linear Footage	Finish	Voltage	Options
M1DI	2T5 (2x) F28T5	SD Satine Lens	C Cable	004 4 foot	WH White	120	EM1 ^{2,4} , Stand-by Battery Pack (ISL-28)
M100	4T5 (4x) F28T5	OD Extra Diffuse Lens	S Stem	008 8 foot	BK Black	277	EM2 ^{2,4,5} , Stand-by Battery Pack (ISL-54)
Direct/Indirect	2T5HO ¹ (2x) F54T5HO	Indirect Shielding	RS Rigid Stem	012 12 foot	SV Silver	347	EM3 ^{2,4,5} , Stand-by Battery Pack (ISL-540)
	4T5HO ^{1,2,3} (4x) F54T5HO		W Wall	RUN	SP Specify Premium Color		DM Non-Standard Ballast
	2T8 ² (2x) F32T8	SD Satine Lens					DMA Lutron EcoSystem
	4T8 ² (4x) F32T8	OD Extra Diffuse Lens					DMH Lutron EcoSystem H-Series Dimming
		X None					DM3 Lutron Hi-Lume 3D 3-wire Dimming
							DM4 Lutron Hi-Lume 3D 4-wire Dimming
							FS Single Fusing
							DL Suitable for Damp locations
							Downlights ¹ (See Downlights Spec Sheet)
							TM Tandem Wiring

¹ Requires standard non-dimming 90°C Ballast. ² Not available with indirect shielding option. ³ Not available with EM1, EM2 or EM3 ⁴ Not Available with 347V. ⁵ Consult factory for combination with dimming.



1. Housing - Continuous, 6063-T5 extruded aluminum profile up to 16 feet long. Joined with Connector Plus Joining System, for ease of installation, and to assure a uniform appearance.

2. Ballast - Electronic, high power factor, class "P," type "A" sound rating. Specify 120v, 277v, or 347v. Ballast is factory pre-wired with leads to one end of fixture. For DM and DMA low profile ballasts (1³/₁₆" wide x 1³/₁₆" high) must be used.

3. Gear Tray - Precision formed with white painted finish. Gear tray installs as complete electrical unit and is held in place with knurled dress nuts.

4. Lamps - As noted (by others). Other lamp lengths or wattages available, consult factory.

5. 1/16" Aircraft Cable Suspension - Supplied with chrome gripper for easy adjustment. 48" max suspension from ceiling to top of luminaire.

6. 5/8" Steel Swivel Stem or Rigid Stem Suspension - Swivel Stem provides 30° swivel rotation and can be cut in field; Rigid Stem can not be cut in field. 48" max suspension from ceiling to top of luminaire.

7. Outlet box - At feed locations only, supplied & installed by others.

8. 1/4" Threaded Rod & Mounting Hardware - To anchor End Cap Support Bracket/Wall Bracket, supplied and installed by others.

9. Wall Bracket - Aluminum Wall Bracket provided nominally every 4'. See layout pages for details.

Interior Luminaire Finish - Standard interior colors are White (WH), Black (BK) and Silver (SV). Selux premium colors (SP) are available, please specify from your Selux color selection guide.

Selux Corp. © 2018
TEL (845) 834-1400
FAX (845) 834-1401
www.selux.us
M1DI-0118-01 (ss-v2.1)

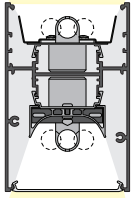
NRTL Listed (i.e. UL, CSA)

Union Made Affiliated
with IBEW Local 363

In a continuing effort to offer the best product possible, we reserve the right to change, without notice, specifications or materials that in our opinion will not alter the function of the product. Specification sheets found at www.selux.us are the most recent versions and supercede all other printed or electronic versions.

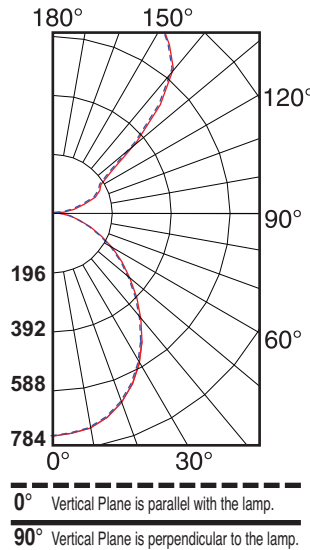
Photometry

M1DI/ 2T5



Catalog #: **M1DI-2T5-SD-X-C-004-WH-120**
 Lamp: **Two 28W Flu T5**
 Total Lumens: **3973**
 Report #: **S1208282-R1**
 Luminaire Efficacy: **59 lm/W**
 Maximum Candela: **784 @ 165° from Vertical**

DOWNLOAD IES FILE:
http://www.selux.us/fileadmin/us/interior/ies_file/M1DI_IES.zip



COEFFICIENTS OF UTILIZATION - Zonal cavity method

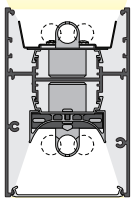
RC	80				70				50				30				10				0			
	RW	70	50	30	10	70	50	30	10	50	30	10	50	30	10	50	30	10	50	30	10	50	30	10
1	74	71	68	65	68	65	62	60	54	52	51	44	43	42	35	34	33	29						
2	67	62	57	53	62	57	53	50	47	45	42	39	37	35	31	30	28	25						
3	62	54	49	45	56	50	45	41	42	38	36	34	32	30	27	26	24	21						
4	56	48	42	38	51	44	39	35	37	33	30	31	28	26	25	23	21	18						
5	52	43	37	32	47	40	34	30	33	29	26	28	25	22	22	20	18	16						
6	48	39	33	28	44	36	30	26	30	26	23	25	22	20	20	18	16	14						
7	44	35	29	25	40	32	27	23	27	23	20	23	20	17	18	16	14	12						
8	41	32	26	22	37	29	24	21	25	21	18	21	18	15	17	15	13	11						
9	38	29	23	19	35	27	22	18	23	19	16	19	16	14	16	13	12	10						
10	36	27	21	17	33	25	20	16	21	17	15	18	15	13	15	12	11	9						

Effective Floor Cavity Reflectance 0.20

CANDELA DISTRIBUTION					
	0	22.5	45	67.5	90
0	736	736	736	736	736
5	745	730	731	729	729
15	710	698	698	697	697
25	639	631	628	624	623
35	541	534	527	518	516
45	425	420	410	399	396
55	305	302	293	284	281
65	195	194	189	181	179
75	101	103	100	97	96
85	31	33	35	35	34
90	7	8	8	8	8

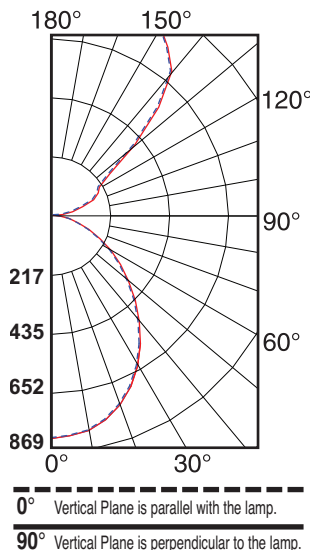
ZONAL LUMEN SUMMARY			
ZONE	LUMENS	%LAMP	%FIXT.
0-30	555.35	10.70	14.00
0-40	884.39	17.00	22.30
0-60	1463.15	28.10	36.80
0-90	1794.65	34.50	45.20
90-180	2178.47	41.90	54.80
0-180	3973.12	76.40	100.00

M1DI/ 2T8



Catalog #: **M1DI-2T8-SD-X-C-004-WH-120**
 Lamp: **Two 32W Flu T8**
 Total Lumens: **4406**
 Report #: **S1208282-R1**
 Luminaire Efficacy: **59 lm/W**
 Maximum Candela: **869 @ 165° from Vertical**

DOWNLOAD IES FILE:
http://www.selux.us/fileadmin/us/interior/ies_file/M1DI_IES.zip



COEFFICIENTS OF UTILIZATION - Zonal cavity method

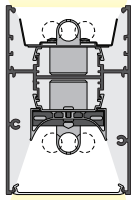
RC	80				70				50				30				10				0			
	RW	70	50	30	10	70	50	30	10	50	30	10	50	30	10	50	30	10	50	30	10	50	30	10
1	69	66	63	61	63	60	58	56	50	49	47	41	40	39	33	32	31	27						
2	63	57	53	50	57	53	49	46	44	41	39	36	34	33	29	27	26	23						
3	57	51	45	41	52	47	42	39	39	36	33	32	30	28	26	24	23	19						
4	52	45	39	35	48	41	37	33	35	31	28	29	26	24	23	21	19	17						
5	48	40	34	30	44	37	32	28	31	27	24	26	23	21	21	19	17	15						
6	44	36	30	26	41	33	28	25	28	24	21	23	20	18	19	17	15	13						
7	41	32	27	23	38	30	25	22	25	22	19	21	18	16	17	15	13	12						
8	38	29	24	20	35	27	22	19	23	19	17	19	17	14	16	14	12	10						
9	35	27	22	18	32	25	20	17	21	18	15	18	15	13	15	12	11	9						
10	33	25	20	16	30	23	18	15	20	16	14	17	14	12	14	11	10	9						

Effective Floor Cavity Reflectance 0.20

CANDELA DISTRIBUTION					
	0	22.5	45	67.5	90
0	816	816	816	816	816
5	826	809	810	808	808
15	787	773	773	772	772
25	708	699	696	691	690
35	599	592	584	574	572
45	471	465	454	442	439
55	305	302	293	284	281
65	216	215	209	200	198
75	111	114	110	107	106
85	34	36	38	38	37
90	7	8	8	8	8

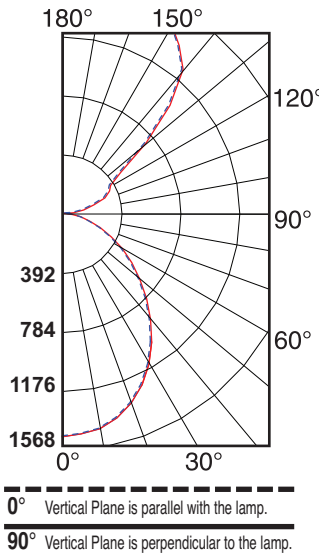
ZONAL LUMEN SUMMARY			
ZONE	LUMENS	%LAMP	%FIXT.
0-30	615.80	9.90	14.00
0-40	980.65	15.80	22.30
0-60	1622.40	26.20	36.80
0-90	1989.99	32.10	45.20
90-180	2415.59	39.00	54.80
0-180	4405.58	71.10	100.00

M1DI/ 4T5



Catalog #: **M1DI-4T5-SD-X-C-004-WH-120**
 Lamp: **Four 28W Flu T5**
 Total Lumens: **7946**
 Report #: **S1208282-R1-1**
 Luminaire Efficacy: **59 lm/W**
 Maximum Candela: **1568 @ 165° from Vertical**

DOWNLOAD IES FILE:
http://www.selux.us/fileadmin/us/interior/ies_file/M1DI_IES.zip



COEFFICIENTS OF UTILIZATION - Zonal cavity method

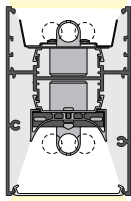
RC	80				70				50			30			10			0
	70	50	30	10	70	50	30	10	50	30	10	50	30	10	50	30	10	0
1	74	71	68	65	68	65	62	60	54	52	51	44	43	42	35	34	33	29
2	67	62	57	53	62	57	53	50	47	45	42	39	37	35	31	30	28	25
3	62	54	49	45	56	50	45	41	42	38	36	34	32	30	27	26	24	21
4	56	48	42	38	51	44	39	35	37	33	30	31	28	26	25	23	21	18
5	52	43	37	32	47	40	34	30	33	29	26	28	25	22	22	20	18	16
6	48	39	33	28	44	36	30	26	30	26	23	25	22	20	20	18	16	14
7	44	35	29	25	40	32	27	23	27	23	20	23	20	17	18	16	14	12
8	41	32	26	22	37	29	24	21	25	21	18	21	18	15	17	15	13	11
9	38	29	23	19	35	27	22	18	23	19	16	19	16	14	16	13	12	10
10	36	27	21	17	33	25	20	16	21	17	15	18	15	13	15	12	11	9

Effective Floor Cavity Reflectance 0.20

	CANDELA DISTRIBUTION				
	0	22.5	45	67.5	90
0	1472	1472	1472	1472	1472
5	1490	1460	1462	1458	1458
15	1420	1396	1396	1394	1394
25	1278	1262	1256	1248	1246
35	1082	1068	1054	1036	1032
45	850	840	820	798	792
55	610	604	586	568	562
65	390	388	378	362	358
75	202	206	200	194	192
85	62	66	70	70	68
90	14	16	16	16	16

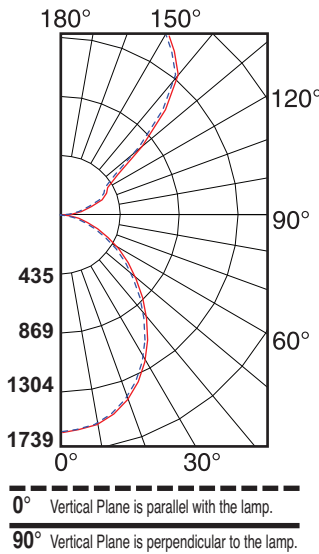
ZONAL LUMEN SUMMARY			
ZONE	LUMENS	%LAMP	%FIXT.
0-30	1110.71	10.70	14.00
0-40	1768.78	17.00	22.30
0-60	2926.29	28.10	36.80
0-90	3589.30	34.50	45.20
90-180	4356.95	41.90	54.80
0-180	7946.25	76.40	100.00

M1DI/ 4T8



Catalog #: **M1DI-4T8-SD-X-C-004-WH-120**
 Lamp: **Four 32W Flu T8**
 Total Lumens: **8811**
 Report #: **S1208282-R1-3**
 Luminaire Efficacy: **59 lm/W**
 Maximum Candela: **1739 @ 165° from Vertical**

DOWNLOAD IES FILE:
http://www.selux.us/fileadmin/us/interior/ies_file/M1DI_IES.zip



COEFFICIENTS OF UTILIZATION - Zonal cavity method

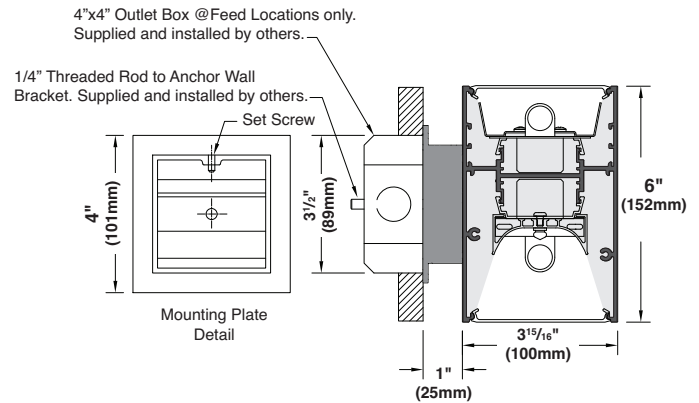
RC	80				70				50			30			10			0
	70	50	30	10	70	50	30	10	50	30	10	50	30	10	50	30	10	0
1	69	66	63	61	63	60	58	56	50	49	47	41	40	39	33	32	31	27
2	63	57	53	50	57	53	49	46	44	41	39	36	34	33	29	27	26	23
3	57	51	45	41	52	47	42	39	39	36	33	32	30	28	26	24	23	19
4	52	45	39	35	48	41	37	33	35	31	28	29	26	24	23	21	19	17
5	48	40	34	30	44	37	32	28	31	27	24	26	23	21	21	19	17	15
6	44	36	30	26	41	33	28	25	28	24	21	23	20	18	19	17	15	13
7	41	32	27	23	38	30	25	22	25	22	19	21	18	16	17	15	13	12
8	38	29	24	20	35	27	22	19	23	19	17	19	17	14	16	14	12	10
9	35	27	22	18	32	25	20	17	21	18	15	18	15	13	15	12	11	9
10	33	25	20	16	30	23	18	15	20	16	14	17	14	12	14	11	10	9

Effective Floor Cavity Reflectance 0.20

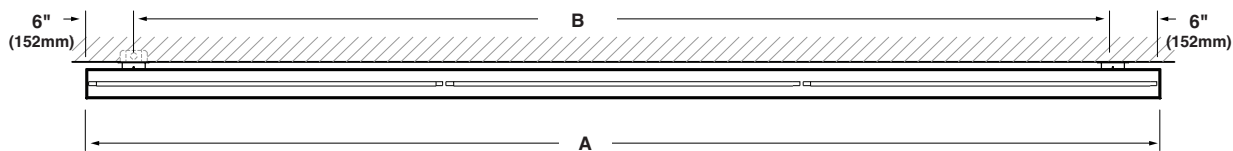
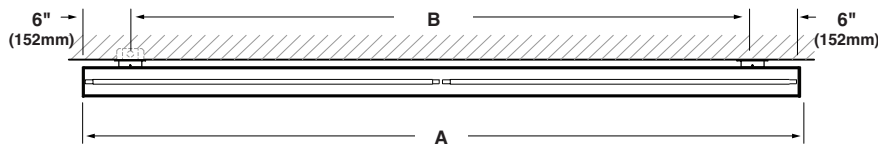
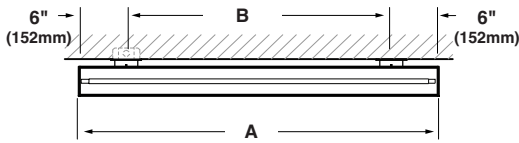
	CANDELA DISTRIBUTION				
	0	22.5	45	67.5	90
0	1632	1632	1632	1632	1632
5	1652	1619	1621	1616	1616
15	1574	1548	1548	1545	1545
25	1417	1399	1392	1383	1381
35	1199	1184	1168	1148	1144
45	942	931	909	884	878
55	676	669	649	629	623
65	432	430	419	401	396
75	223	228	221	215	212
85	69	73	77	77	75
90	16	18	17	17	17

ZONAL LUMEN SUMMARY			
ZONE	LUMENS	%LAMP	%FIXT.
0-30	1231.6	9.90	14.00
0-40	1961.31	15.80	22.30
0-60	3244.8	26.20	36.80
0-90	3979.98	32.10	45.20
90-180	4831.18	39.00	54.80
0-180	8811.16	71.10	100.00

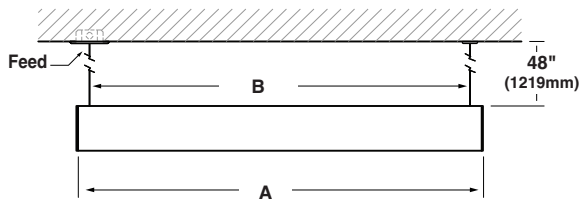
M1DI Layout Dimensions



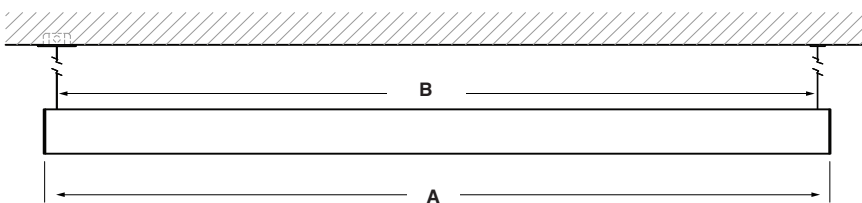
Typical Wall Mount - Top View



Typical Pendant Mount - Side View



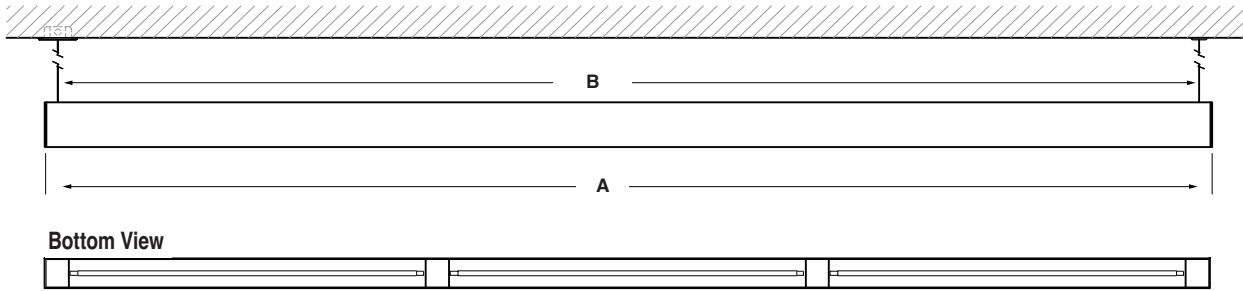
Bottom View



Bottom View



M1DI Layout Dimensions

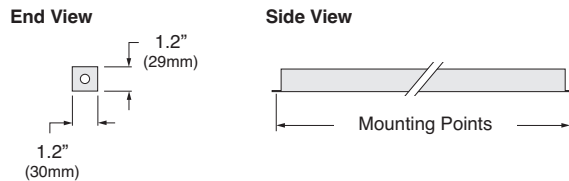


	T5/T5HO				T8			
	M1DI Wall Mount		M1DI Suspension Mount		M1DI Wall Mount		M1DI Suspension Mount	
	A	B	A	B	A	B	A	B
4' Pendant	46.81 (1189mm)	34.45 (875mm)	52.83 (1342mm)	49.45 (1256mm)	48.43 (1230mm)	36.07 (916mm)	54.46 (1383mm)	51.07 (1297mm)
8' Pendant	102.28 (2598mm)	89.92 (2284mm)	102.28 (2598mm)	98.90 (2512mm)	105.53 (2680mm)	93.17 (2366mm)	105.53 (2680mm)	99.14 (2594mm)
12' Pendant	151.73 (3854mm)	139.37 (3540mm)	151.73 (3854mm)	148.39 (3769mm)	156.60 (3978mm)	144.24 (3664mm)	156.60 (3978mm)	147.25 (3893mm)

Option Details

EM Stand-by Battery Packs

Selux only uses name-brand, UL-listed fluorescent EM ballasts that in the event of a power failure, operates one of the existing lamps for 90 minutes. Comes with original manufacturer 5-year warranty. For wiring and maintenance information, please consult factory.



	EM1	EM2	EM3
Lumen Output	500 Lm (1 lamp)	825 Lm (1 lamp)	1300 Lm (1 lamp)
Lamps Operated	Most 2'-4' T5, up to 28W or T8 linear fluorescent lamps	Most 2'-4' T5, 17-40W T8, and most HO linear fluorescent lamps	Most 2'-4' T5, up to 28W or T8 linear fluorescent lamps
Operation Time	90 min.	90 min.	90 min.
Input Voltage	120/277V, 60Hz	120/277V 60Hz	120/277V 60Hz
Average Lumen Ratings			
14W T5	375	450	700
21W T5	425	500	850
28W T5	500	800	1200
24W T5HO	500	450	700
39W T5HO	n/a	700	1100
54W T5HO	n/a	825	1300
F17 T8	320	650	950
F25 T8	360	650	950
F28 T8	380	630	990
F32 T8	425	700	1100

Dimming Option Details

Dimming	Lamping	Voltage	Manufacturers: Standard Ballast
DMH Digital Link (4-wire)	14W 24W 17W	120V	Lutron : EcoSystem® H-Series
	21W 39W 25W	277V	
	28W 54W 32W		
	28W 54W 32W	347V	
DM4 Digital Link (4-wire)	14W 24W 17W	120V	Lutron : Hi-Lume 3D
	21W 39W 25W		
	28W 54W 32W	277V	
	28W 80W 32W		
DM3(3-wire Dim)	14W 24W 17W	120V	Lutron: Hi-Lume 3D
	21W 39W 25W		
	28W 54W 32W	277V	
	28W 80W 32W		
DMA	14W 24W 17W	120V	Lutron : EcoSystem
	21W 39W 25W		
	28W 54W 32W	277V	
	28W 80W 32W		
DM (Non-Standard Driver)	Please specify Lamping		Please specify manufacturer and model number