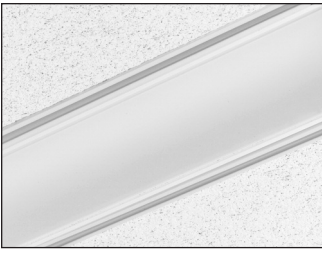


M100 Recessed Linear Fluorescent Asymmetrical Slot Grid / Thick Ceiling Panel



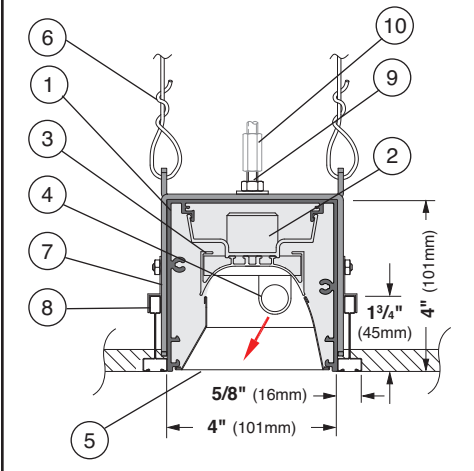
Project: _____ **Type:** _____ **Qty.** _____

M1A - _____ - _____ - _____ - _____ - _____ - _____ - _____
Series **Lamping** **Shielding** **Mounting** **Length** **Finish** **Voltage**

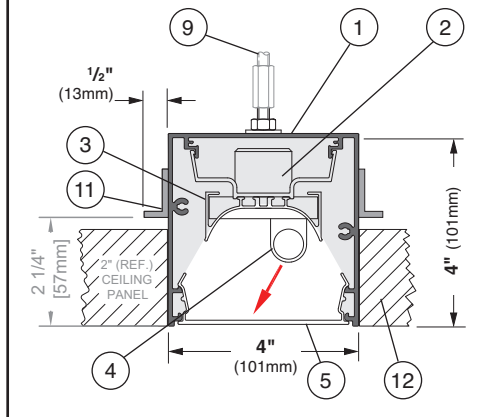
Options

Series	Lamping	Shielding	Mounting	Nominal Length	Finish	Voltage	Options
M1A M100 Asymmetrical Multi-Mount Form	1T5 F28T5 1T5HO F54T5HO	AMP Asymmetric Silky Specular Louver SD Satine Lens	SG Slot Grid DC Ceiling Panels up to 2" thick (lengths per submittal drawings)	004 4 foot	WH White BK Black SV Silver SP Specify Premium Color	120 277 347	EM Stand-by Battery Pack ¹ FS Single Fusing DM Dimming ² (specify system) DMA Digital Addressable Dimming FW Flex Whip (standard) FW1 Flex Whip (dimming) DL Suitable for Damp Locations CCEA Chicago Plenum SI Satine Acrylic Inlay (for AMP only) Downlights
				008 8 foot			
				012 12 foot			
				For actual lengths see following page. For other lengths, configurations indicate nominal length rounded to the next highest foot. Factory will supply layout drawings. Individual fixtures cannot be field joined.			
¹ Must be low profile ballasts (1 1/2" W x 1 3/16" H)							

Slot Grid (SG)



Ceiling Panels up to 2" thick (DC)



11. Aluminum angle brackets - Run entire length of fixture to block view into plenum area from below fixture.

12. Ceiling Panels up to 2" thick - Supplied and installed by others. Suitable for Decoustic® ceiling panel installations. Other ceiling systems possible, please consult factory. Decoustic® is a registered trademark of Decoustics Ltd. Corporation.

Interior Luminaire Finish - Selux utilizes a high quality Polyester Powder Coating. All Selux luminaires are finished in our Tiger Drylac certified facility and undergo a five stage intensive pretreatment process where product is thoroughly cleaned, phosphated, and sealed. Selux powder coated products provide excellent salt and humidity resistance as well as ultra-violet resistance for color retention. All products are tested in accordance with test specifications for coatings per ASTM and PCI.

Standard interior colors are White (WH), Black (BK), and Silver (SV). Selux premium colors (SP) are available, please specify from your Selux color selection guide.

1. Housing - Continuous, 6063-T5 extruded aluminum profile up to 16 feet long. Joined with Connector Plus Joining System for ease of installation and to assure a uniform appearance.

2. Ballast - Electronic, high power factor, class "P," type "A" sound rating. Specify 120v, 277v, or 347v. Ballast is factory pre-wired with leads to one end of fixture. Consult factory for ballast options.

3. Gear Tray - Extruded aluminum, with white painted finish. Gear tray installed as a complete electrical unit and is held in place with knurled dress nuts. It is fully accessible from below ceiling.

4. Lamps - As noted (by others). Other lamp lengths or wattages available, consult factory.

5. Shielding - Extruded, impact resistant acrylic snap in satine lens (SD) or Asymmetric Silky Specular Louver.

6. Support wire to structure - Supplied and installed by others.

7. Support bracket - Supplied nominally every four feet.

8. Slot grid beam and cross tees - Supplied and installed by others.

9. Pre-installed 1" 1/4-20 Stud - See page 2 for details.

10. Coupling Hardware and Threaded Rod to Structure - Supplied and installed by others.

Selux Corp. © 2018

TEL (845) 834-1400

FAX (845) 834-1401

www.selux.us

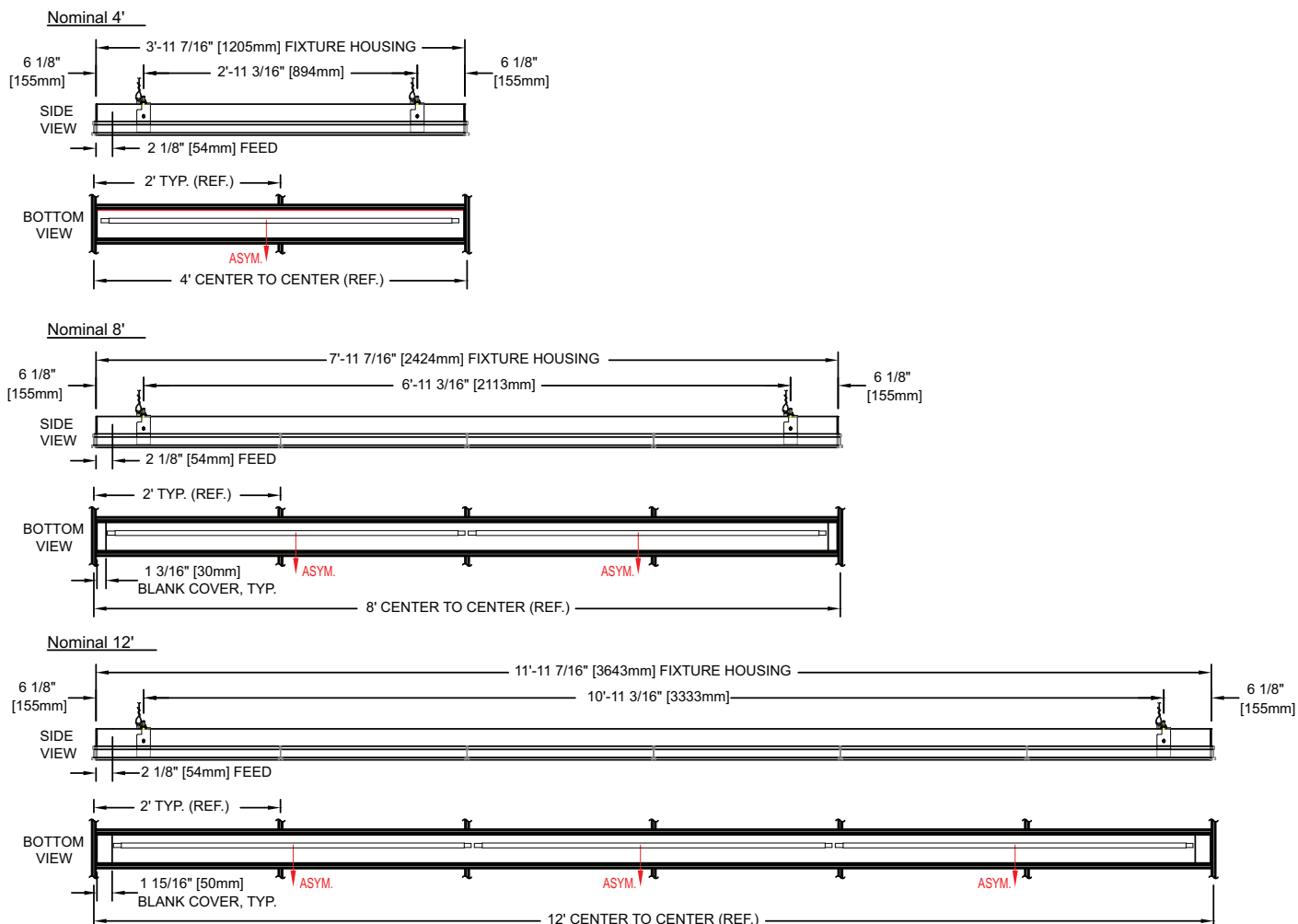
M1A_SG-0118-01(v6.1)

Union Made Affiliated
with IBEW Local 363



In a continuing effort to offer the best product possible, we reserve the right to change, without notice, specifications or materials that in our opinion will not alter the function of the product. Specification sheets found at www.selux.us are the most recent versions and supercede all other printed or electronic versions.

M1A Slot Grid Layout Dimensions



Fixture supplied with 7/8" Feed hole located 2 1/8" from end in top of fixture.

For other lengths, lamping, continuous runs or configurations please specify overall length (in feet), accessories desired and sketch/drawing of configuration. Selux will detail project drawings upon order and supply submittal drawings for approval. Individual fixtures cannot be field joined. If you have any questions please contact Selux customer service or applications engineering for assistance (1-800-SELUX-CS).