

M100 Recessed Linear Fluorescent Asymmetrical Spackle Flange

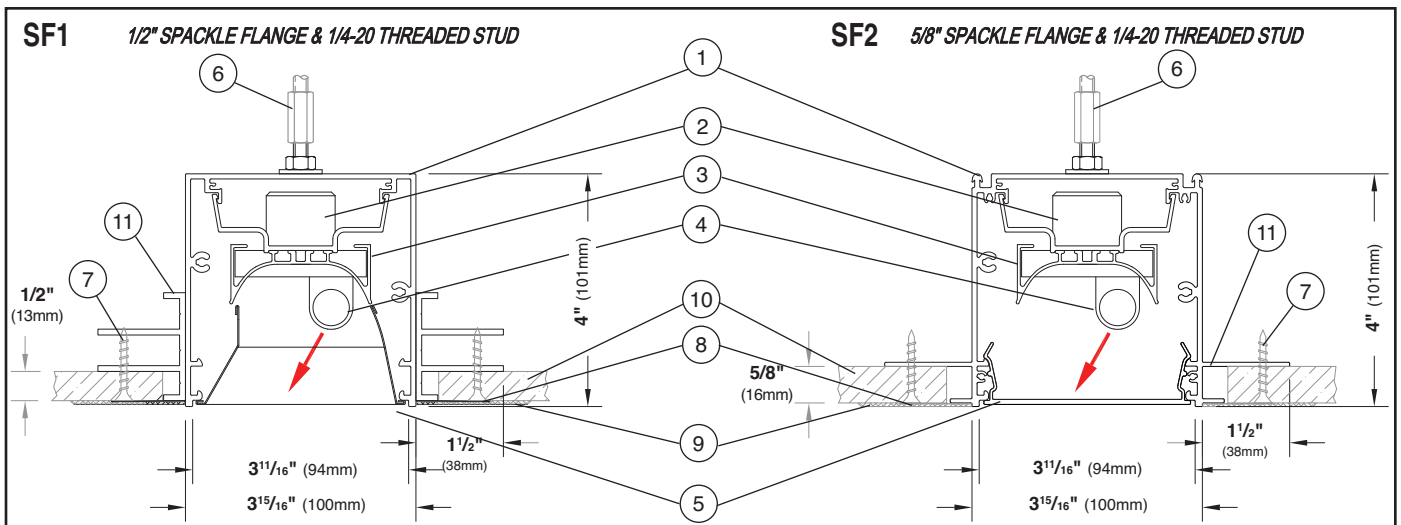


Project: _____ **Type:** _____ **Qty.** _____

| | | | | | | |
|---------------|----------------|------------------|-----------------|-----------------------|---------------|----------------|
| M1A | _____ | _____ | _____ | _____ | _____ | _____ |
| Series | Lamping | Shielding | Mounting | Nominal Length | Finish | Voltage |
| _____ | _____ | _____ | _____ | _____ | _____ | _____ |

Options

| Series | Lamping | Shielding | Mounting | Nominal Length | Finish | Voltage | Options |
|------------------------------------------------------------------------------------------------------------|----------------------|----------------------------------------------------------------------|----------------------------------------------------------------------------------------|---------------------------------------------------------------------------------------------------------------------------------------------------------------------------------------------------------------------|-------------------------------------------------------------------------------------------|----------------------------------------|--------------------------------------------------------------------------------------------------------------------------------------------------------------------------------------------------------------------------------------------------------------------------------------------------------------------------------------------------------------------------------------------------------------------------------------|
| M1A M100 Asymmetrical Multi-Mount Form | 1T5 F28T5 | AMP Asymmetric Silky Specular Louver SD Satine Lens | SF1 Spackle Flange (1/2" dry wall) SF2 Spackle Flange (5/8" dry wall) | 004 4 foot | WH White BK Black SV Silver SP Specify Premium Color | 120 277 347 | EM Stand-by Battery Pack ^{1,2} FS Single Fusing DM Dimming ¹ (specify system) DMA Digital Addressable Dimming FW Flex Whip (standard) FW1 Flex Whip (dimming) Track Eutrac Standard ² DL Suitable for Damp Locations CCEA Chicago Plenum SI Satine Acrylic Inlay (for AMP only) Downlights |
| | 1T5HO F54T5HO | | | 008 8 foot | | | |
| | 1T8 F32T8 | | | 012 12 foot | | | |
| | | | | For actual lengths see following page. For other lengths, configurations indicate nominal length rounded to the next highest foot. Factory will supply layout drawings. Individual fixtures cannot be field joined. | | | |
| ¹ Must be low profile ballasts (1 1/2" W x 1 3/16" H) ² Consult factory for details. | | | | | | | |



1. Housing - Continuous, 6063-T5 extruded aluminum profile up to 16 feet long. Joined with Connector Plus Joining System for ease of installation and to assure a uniform appearance.

2. Ballast - Electronic, high power factor, class "P," type "A" sound rating. Specify 120v, 277v, or 347v. Ballast is factory pre-wired with leads to one end of fixture. Consult factory for ballast options.

3. Gear Tray - Extruded aluminum, with white painted finish. Gear tray installed as a complete electrical unit and is held in place with knurled dress nuts. It is fully accessible from below ceiling.

4. Lamps - As noted (by others). Other lamp lengths or wattages available, consult factory.

5. Shielding - Extruded, impact resistant acrylic snap in satine lens (SD) or Asymmetric Silky Specular Louver.

6. Threaded 1/4 - 20 rod and mounting hardware - Supplied and installed by others. For ease of installation leave rod 1" below ceiling. Rod to be cut flush to nut after installation.

7. Sheet Metal Screw

8. Fiberglass Sheetrock Tape - Supplied and installed by others.

9. Plaster Skimcoat 1/16" - Supplied and installed by others.

10. Plaster board - Supplied and installed by others. For 1/4" thick specify SF1; for 5/8" thick specify SF2.

11. Spackle Flange - For 1/2" (SF1) or 5/8" (SF2) thick sheet rock, installed at factory.

Interior Luminaire Finish - Standard interior colors are White (WH), Black (BK) and Silver (SV). Selux premium colors (SP) are available, please specify from your Selux color selection guide.

Selux Corp. © 2018
TEL (845) 834-1400
FAX (845) 834-1401
www.selux.us
M1A-SF-0118-01 (ss-v6.1)

Union Made Affiliated
with IBEW Local 363

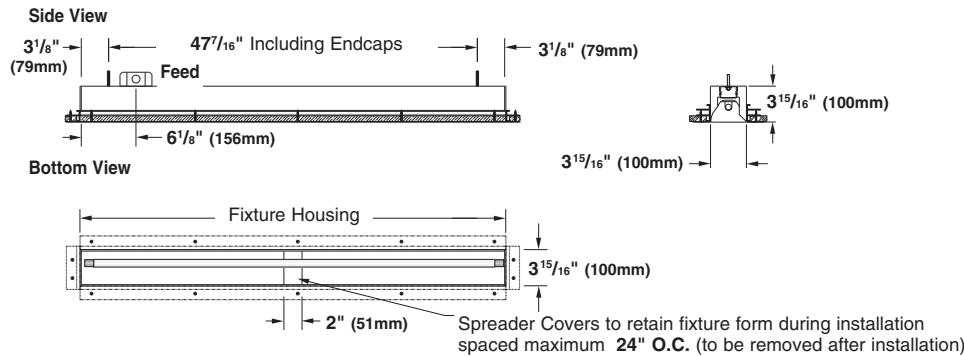


In a continuing effort to offer the best product possible, we reserve the right to change, without notice, specifications or materials that in our opinion will not alter the function of the product. Specification sheets found at www.selux.us are the most recent versions and supercede all other printed or electronic versions.

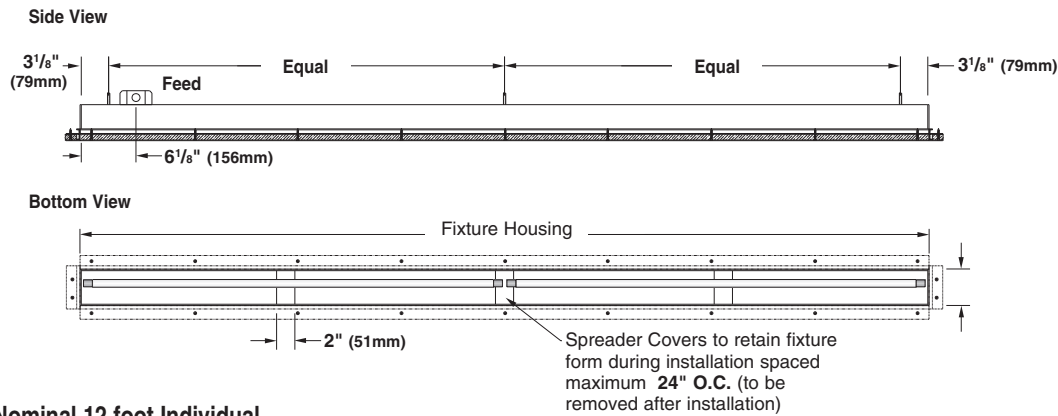
M1A Spackle Flange Layout Dimensions

Nominal 4 foot Individual

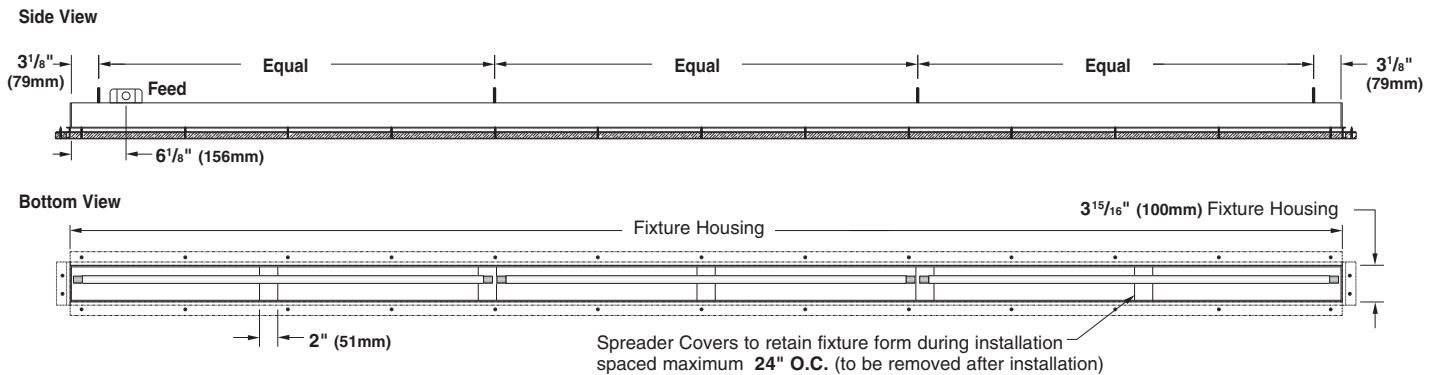
Typical End View (all lengths)



Nominal 8 foot Individual



Nominal 12 foot Individual



Fixture supplied with 7/8 knockout located 6 1/8" from end in top of fixture.

For other lengths, lamping, continuous runs or configurations please specify overall length (in feet), accessories desired and sketch/drawing of configuration. Selux will detail project drawings upon order and supply submittal drawings for approval. Individual fixtures cannot be field joined. If you have any questions please contact Selux customer service or applications engineering for assistance (1-800-SELUX-CS).