

Date: _____ Customer: _____
 Project: _____
 Type: _____ Qty: _____



Kju Circle LED Direct/Indirect



Order Code: KJUCDI - - - - LI - - - - -

<u>KJU</u> <u>CDI</u>	Series	KJU <u>CDI</u> Kju Circle Direct/Indirect							
	Light Engine	1A90¹ 2622 lm 28.8W	1A70¹ 2038 lm 22.4W	1A50¹ 1131 lm 12.4W	¹ Values based on 30 00K option and standard driver.				
	CCT	30 3000K	35 3500K	40 4000K					
<u>LI</u>	Shielding	LI Clear PMMA lens with LED optimized diffuser							
	Mounting	C Cable	S Swivel Stem	RS Rigid Stem	F Surface Mount	SR Semi-Recessed			
	Finish	WH White				<i>Custom colors are available, Please consult factory</i>			
	Voltage	120 120 Volt	277 277 Volt	UNV 120 thru 277 50/60hz capable					
	Dimming Options	DM eldoLED 0-10V (Linear)	DML eldoLED 0-10V (Logarithmic)	DMD eldoLED DALI (Logarithmic)	DC2² Lutron 2-Wire	DC3² Lutron 3-Wire	DCE² Lutron EcoSystem	DC5² Lutron 5-Series	² Not available with 1A90 Surface Mount or Semi-Recessed
	Emergency Options	EC UL924 Compliance for Emergency Wiring					DL Damp Location		

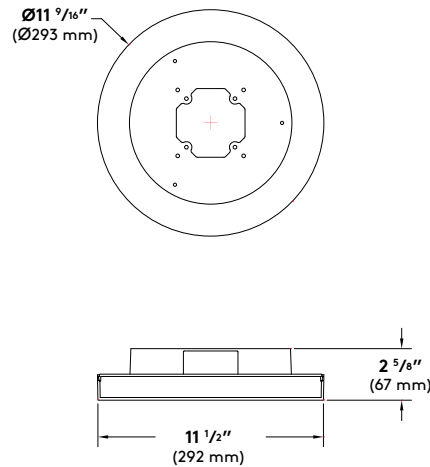
¹The standard (default) driver is 0-10V capable, please see page 4 for additional details.

Product Modifications
Please list modification requirements for review by factory:

Approvals



Date: _____



Construction:

Housing / Geartray – Low copper die cast aluminum.

Shielding – Precision-edge, clear PMMA body with LED optimized opal diffuser.

Mounting – Cable Mount (C), Swivel Stem (S), Rigid Stem (RS), Surface Mount (F), or Semi-Recessed (SR). Surface Mount and Semi-Recessed can be mounted to a wall with proper blocking by others. Standard lengths for cable and stem mount is 48". See page 3 for details on mountings.

Kju Circle is also available with Direct only light distribution - see Kju Circle Direct spec sheet for details.

Also available as Kju Square

Electrical/Performance:

LED Light Engine - Brand-name mid-power LEDs create a high efficiency LED light engine able to provide a lumen maintenance of 90.1% at 50,000 hours and 88.2% at 60,000 hours per TM-21 report.

LED Life - Calculated L70 168,000 hours and Reported L70 Greater than 60,000 hours @ 25°C per TM-21

Delivered Lumens - Due to LED manufacturer's tolerances the listed output has a $\pm 5\%$ tolerance.

CCT - Available in 3000K, 3500K, and 4000K; tolerance within a 3-step MacAdam ellipse.

CRI - Min. 80

All Drivers - High efficiency, constant current, soft start, Electronic Class 2 with a PFC>0.90. For more detailed information on the available drivers please see page 7.

Thermal Performance:

Ambient Operating Temperature – Luminaires suitable for maximum ambient temperature of 35°C (95°F) for all drivers, standard and optional.

Minimum ambient temperature of:
-20°C (-4°F) for the Standard DM and optional DML and DMD drivers
0°C (32°F) for the optional DC2, DC3, DCE, and DC5 drivers.

Luminaire Finish:

Powdercoat - All Selux luminaires are finished in high quality polyester powder coating in our Tiger Drylac certified facility and are tested in accordance with test specifications for coatings from ASTM and PCI.

All products undergo a five stage intensive pretreatment process where product is thoroughly cleaned, phosphated, and sealed. Selux powder coated products provide excellent salt and humidity resistance as well as ultra violet resistance for color retention.

Standard color is White (WH). Custom colors are available.

Warranty:

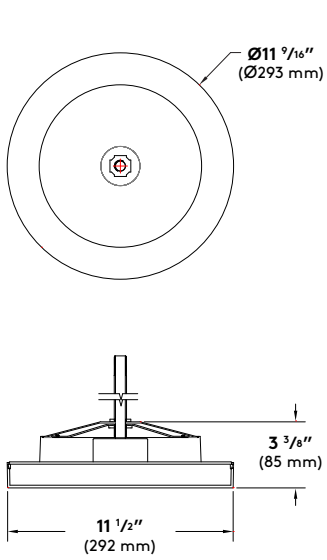
5 Year Limited LED Luminaire Warranty - Selux offers a 5 Year Limited Warranty to the original purchaser that the Kju LED luminaire shall be free from defects in material and workmanship for up to five (5) years from date of shipment. This limited warranty covers the LED driver and LED light engine when installed according to Selux instructions and operated within the Ambient Temperature. For additional details and exclusions, see "Selux Terms and Condition of Sale".

Certifications and Compliance:

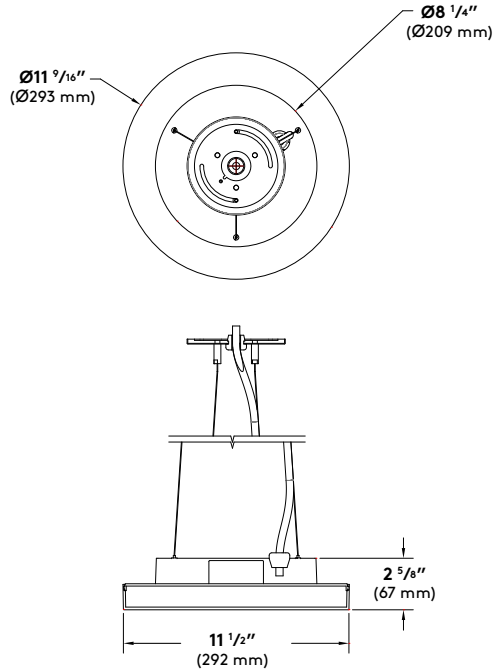
NRTL-For damp location (i.e. cULus;cCSAus)
ADA Compliant
RoHS Compliant
ARRA Compliant

Mounting

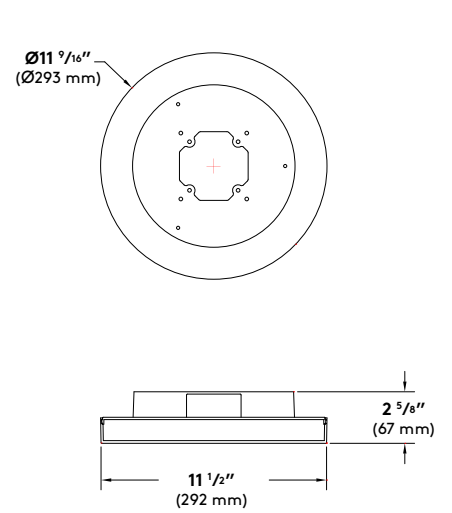
Rigid Stem (RS) and Swivel Stem (S)



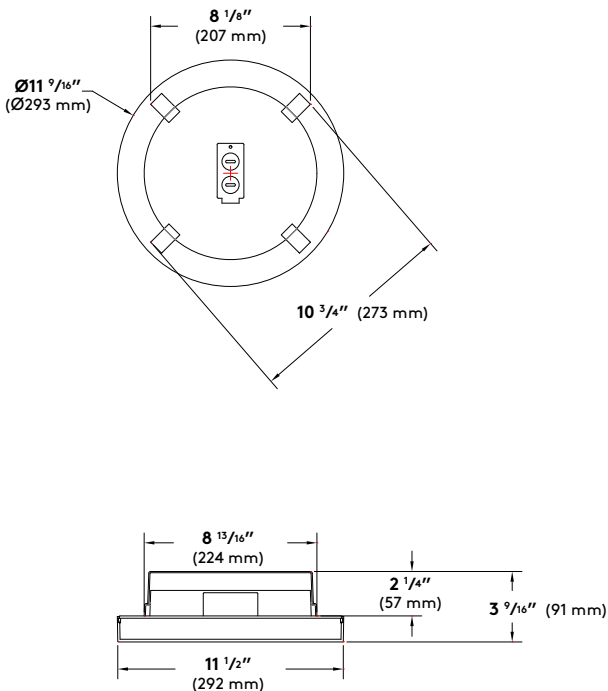
Cable (C)



Surface (F)



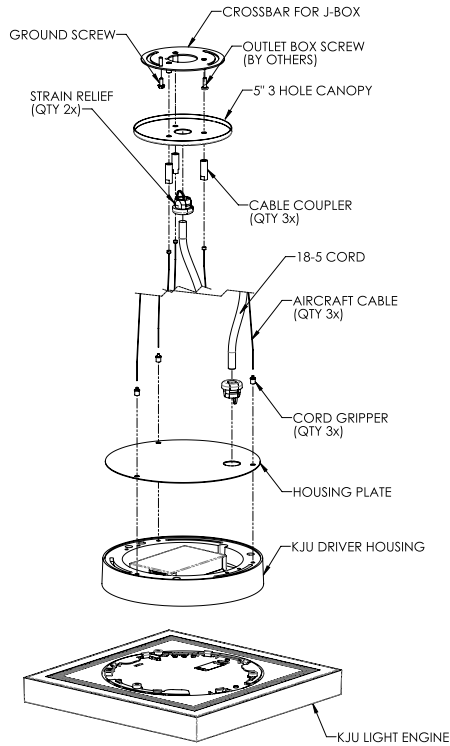
Semi-Recessed (SR)



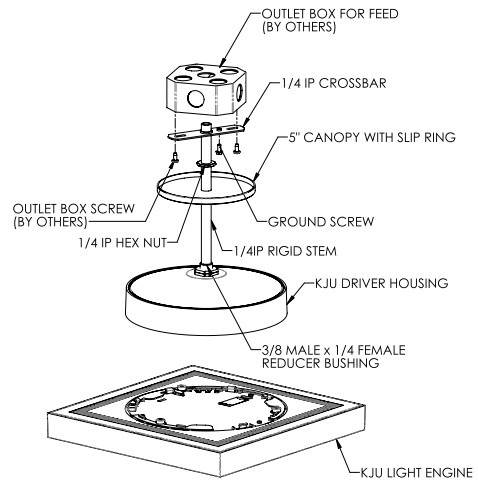
Mounting

(Kju Square shown as reference)

Kju Cable (C) Suspension detail



Kju Rigid Stem (RS) Suspension detail



Standard Driver:

eldoLED 0-10V linear dimming

Fixtures supplied with driver capable of either normal switched operation or 0-10V dimming for linear dimming curve. Fixtures ship with the dimming leads capped, for dimming operation un-cap the wires. Minimum dimming level preset at factory to 1%. Max. inrush current per driver 30mA²s and 0-10V control current max 2mA per driver.

Optional eldoLED Dimming Drivers:

eldoLED 0-10V linear dimming (DM)

Luminaires supplied with soloDRIVE 0-10V dimming driver for linear dimming curve. Minimum dimming level preset at factory to 1%. For "dim to dark" (down to 0.1%), please consult Selux. Max. inrush current per driver 30mA²s and 0-10V control current max 2mA per driver.

eldoLED 0-10V logarithmic dimming (DML)

Luminaires supplied with soloDRIVE 0-10V dimming driver for logarithmic dimming curve. Minimum dimming level preset at factory to 1%. For a minimum dimming level down to 0.1%, please consult Selux. Max. inrush current per driver 30mA²s and 0-10V control current max 2mA per driver.

eldoLED DALI dimming (DMD)

Luminaires supplied with soloDRIVE DALI dimming driver. Minimum dimming level preset at factory to 1%. For a minimum dimming level down to 0.1 %, please consult Selux. Inrush current per driver 30mA²s.

*For control recommendation for eldoLED drivers, please contact eldoLED.

Optional LUTRON Dimming Drivers:

LUTRON 2-wire dimming (DC2)

Luminaires supplied with A-series 2-wire dimming driver programmed for Constant Current Reduction (CCR). For Pulse Width Modulation (PWM) dimming, please consult Selux. Minimum dimming level down to 1%. Inrush current per driver < 2A.

LUTRON 3-wire dimming (DC3)

Luminaires supplied with A-series 3-wire dimming driver programmed for Constant Current Reduction (CCR). For Pulse Width Modulation (PWM) dimming, please consult Selux. Minimum dimming level down to 1%. Inrush current per driver < 2A.

LUTRON EcoSystem dimming (DCE)

Luminaires supplied with A-series EcoSystem (4 wire, digital link) dimming driver programmed for Constant Current Reduction (CCR). For Pulse Width Modulation (PWM) dimming, please consult Selux. Minimum dimming level down to 1 %. Inrush current per driver < 2A.

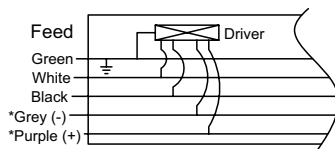
LUTRON 5-series dimming (DC5)

Luminaires supplied with 5-series EcoSystem dimming driver programmed for constant current reduction (CCR). Minimum dimming level down to 5%. Inrush current per driver <2A.

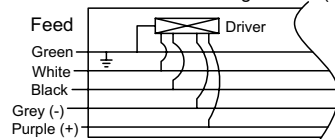
**For control recommendation and system layout for LUTRON drivers, please contact LUTRON.

Wiring Diagrams

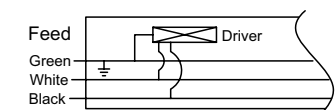
Standard - 0-10V (Linear) dimming capable



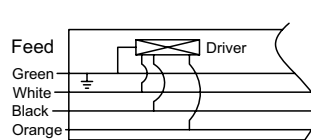
Optional Dimming - 0-10v Logarithmic (DML)
DALI Logarithmic (DMD)



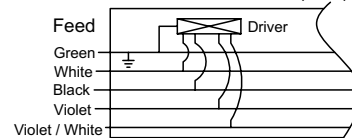
Optional Dimming - Lutron 2-Wire (DC2)



Optional Dimming - Lutron 3-wire (DC3)



Optional Dimming - Lutron Eco System (DCE)
- Lutron 5-series (DC5)



Standard Wiring supplied for all drivers.	Green = Ground White = Neutral Black = Hot
-The following wire(s) are in addition to the std. above-	
0-10V Dimming for Standard driver DM	*Grey = (-) 0-10V Dimming control *Purple = (+) 0-10V Dimming control *Grey and Purple feed wires are capped at the factory for non-dimming operation. For 0-10v dimming operation remove the caps on the Grey and Purple wires.
DML & DMD	Grey = (-) Dali or 0-10V Dimming control Purple = (+) Dali or 0-10V Dimming control
DC2	No additional wires
DC3	Orange = 3-Wire Dimming control
DCE	Violet = "E1" Digital Link Dimming control Violet / White = "E2" Digital Link Dimming control
DC5	Violet = "E1" Digital Link Dimming control Violet / White = "E2" Digital Link Dimming control

Damp Location (DL) - Luminaires are suitable for use in damp location(s). Examples of such locations include protected areas under canopies, marquees, roofed porches, and similar locations where the fixture(s) are protected from direct contact with rain, snow, or excessive moisture (such as ocean spray). Interior locations include areas subject to moderate degrees of moisture, such as basements and certain barns and cold storage buildings. All solder points on LED boards are conformal coated. The phosphor layer of the LEDs is free of coating to avoid hazing.

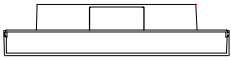
UL924 Compliance for Emergency Wiring (EC) - Luminaires with EC option compliant to UL924 listed emergency luminaire. EC luminaires are intended to be wired to separate panels/breakers for emergency use

**If a different configuration is needed please consult the factory.

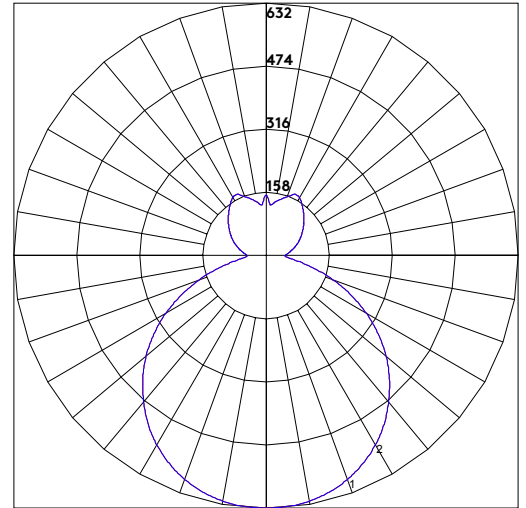
Photometry

1A90 / 25W LED / 4000K CCT

[Link to photometry \(IES & PDF files\)](#)



Catalog #: KJUCDI-1A90-40-LI-X-WH-120
 Report #: 1170147-4
 Delivered Lumens: 2553
 Input Watts: 28W
 Efficacy: 91
 Power Factor: 0.993
 Total Harmonic Distortion: 4.80%
 CCT: 4000K
 CRI: >86.3
 Max Candela: 632.046 @ 0° from Vertical
 Spacing Criterion (0-180): 1.30
 Spacing Criterion (90-270): 1.30
 Spacing Criterion (Diagonal): 1.40



Maximum Candela = 632.046 Located At Horizontal Angle = 0, Vertical Angle = 0
 # 1 - Vertical Plane Through Horizontal Angles (90 - 270)
 # 2 - Vertical Plane Through Horizontal Angles (0 - 180)

CCT Multiplier	
4000K	1.00
3500K	0.98
3000K	1.03

Light Engine Multiplier	
1A90	1.000
1A70	0.777
1A50	0.555

CCT and Light Engine multipliers apply to the photometry, and IES files.