

# Diskus Surface Mount

# selux

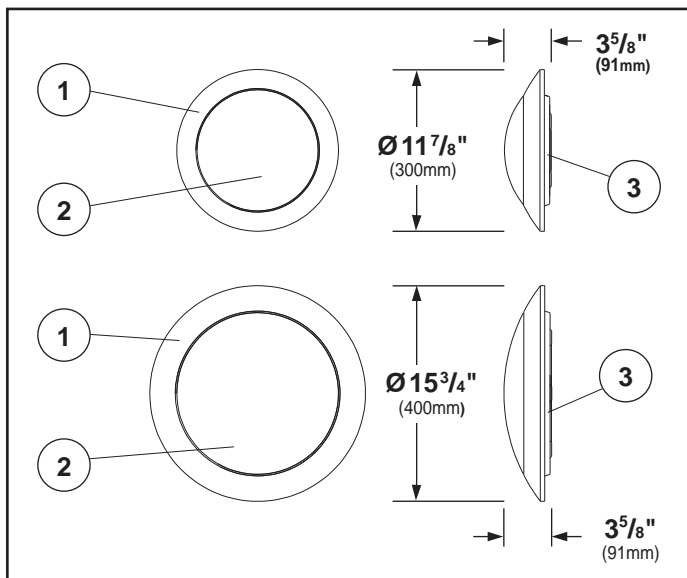


**Project:** \_\_\_\_\_

**Type:** \_\_\_\_\_ **Qty:** \_\_\_\_\_

**DSK**    -    -    -    -    -  
 Series                  Diameter                  Lamping                  Finish                  Voltage                  Options

Series	Diameter	Lamping	Finish	Voltage	Options
DSK Diskus Surface Mount	12 11-7/8"	F162D 1x16W 2D F212D 1x21W 2D	WH White BK Black BZ Bronze SV Silver SP Specify Premium Color	120 277	*EX Exterior Version
	16 15-3/4"	F282D 1x28W 2D F382D 1x38W 2D			



**1. Fixture Frame** - Die-cast, aluminum trim frame, painted with specified finish. All exposed hardware is stainless steel. Low profile conforms to the standards set by the Americans with Disabilities Act (ADA).

**2. Shielding** - White, translucent, impact-resistant DR acrylic.

**3. Housing** - Die-cast, aluminum housing with mounting holes provided. Mounting hardware by others.

**4. Ballast** - (Not shown) Electronic, high power factor, class "P", type "A" sound rating, 0°F (-18°C) starting temperature. Specify 120v or 277v. Consult factory for ballast options.

**5. Lamps** - (Not shown) 21W compact fluorescent 2D lamps available for the DSK12. 38W compact fluorescent 2D lamps available for the DSK16. All lamps utilize a GR 10q. 4pin base. All lamps supplied by others.

**6. Gasketing** - (Not shown) Continuous, molded gasket provides weather proofing, dust and insect control around fixture frame in exterior version.

**Interior Luminaire Finish** - Standard interior colors are White (WH), Black (BK), Bronze (BZ), and Silver (SV). Premium colors (SP) are available, please specify.

**\*Exterior Version** - The exterior version is fully gasketed and can be mounted in wet locations. This version is furnished with standard exterior luminaire finish (see below).

**Exterior Luminaire Finish** - SELUX utilizes a high quality Polyester Powder Coating. All SELUX luminaires and poles are finished in our Tiger Drylac certified facility and undergo a five stage intensive pretreatment process where product is thoroughly cleaned, phosphated and sealed. SELUX powder coated products provide excellent salt and humidity resistance as well as ultra violet resistance for color retention. All products are tested in accordance with test specifications for coatings from ASTM and PCI.

Standard exterior colors are White (WH), Black (BK), Bronze (BZ), and Silver (SV). Selux premium colors (SP) are available, please specify from your SELUX color selection guide. Hot Dip Galvanized finish (GV) on all steel parts also available.

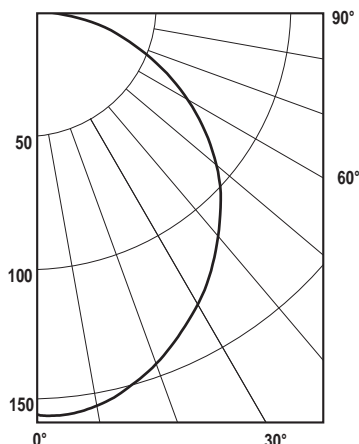
## Photometry

### DSK-12 Photometric Data

Catalog #: DSK - 12 - F162D  
 Lamp: 1x F162D @ 1050 lumens  
 Report #: SX 100-901 (5517)

Luminaire  
 Efficiency: 49.4%

Maximum  
 Candela: 160 @ 0°



CANDELA DISTRIBUTION	
	0.0
0	160
5	159
15	153
25	142
35	127
45	107
55	85
65	62
75	42
85	26
90	19

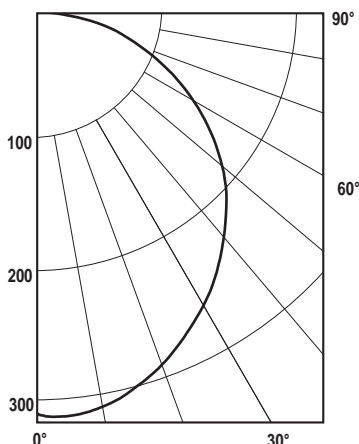
ZONAL LUMEN SUMMARY			
ZONE	LUMENS	%LAMP	%FIXT.
0-30	124	11.8	23.8
0-40	203	19.3	39.1
0-60	361	34.4	69.6
0-90	497	47.3	95.7
90-180	22	2.1	4.3
0-180	519	49.4	100.0

### DSK-16 Photometric Data

Catalog #: DSK - 16 - F282D  
 Lamp: 1x F282D @ 2050 lumens  
 Report #: SX 100-897 (5515)

Luminaire  
 Efficiency: 49.5%

Maximum  
 Candela: 312 @ 0°



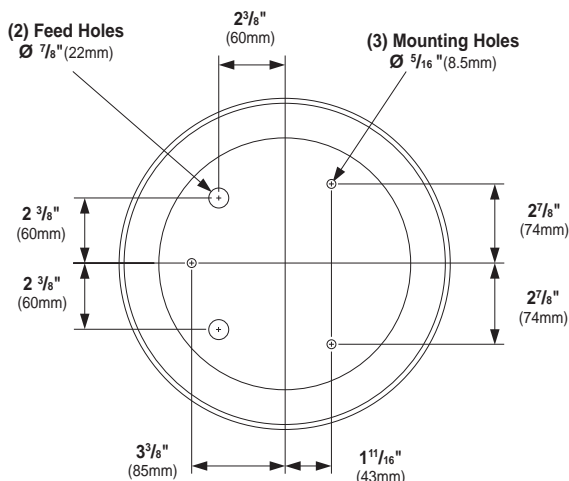
CANDELA DISTRIBUTION	
	0.0
0	312
5	310
15	299
25	277
35	248
45	209
55	166
65	122
75	83
85	50
90	37

ZONAL LUMEN SUMMARY			
ZONE	LUMENS	%LAMP	%FIXT.
0-30	241	11.8	23.8
0-40	396	19.3	39.0
0-60	706	34.4	69.5
0-90	970	47.3	95.5
90-180	46	2.2	4.5
0-180	1015	49.5	100.0

## Mounting Information

### DSK - 12 (Rear view)

Estimated weight - 8 lbs. (3.6kg)



### DSK - 16 (Rear view)

Estimated weight - 10 lbs. (4.5kg)

