

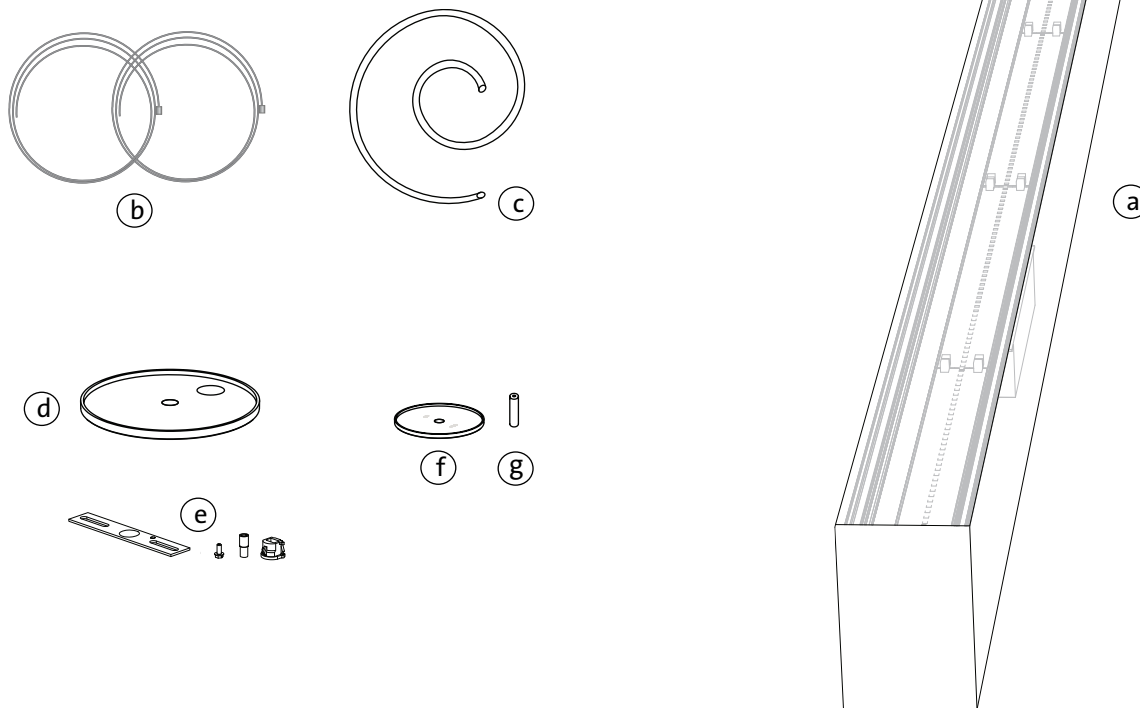
## Cable Package Components

### Tools required (not included):

- Phillips Head Screwdriver
- Cleaning Cloth

Remove product from package and separate into the following components (lamp provided by others):

- Fixture
- (2) 1/16" Aircraft Cable Suspension (standard length 48" from ceiling to top of luminaire).
- Feed Cable, with Quick Disconnect (comes prewired through top of housing).\*
- Ø5" Canopy Cover\*
- Feed Mounting Hardware (crossbar with ground screw, threaded rod, cable coupler & strain relief)\*
- Ø2" Canopy Cover\* with 1/4"-20 opening.
- Non-feed Cable Coupler\*

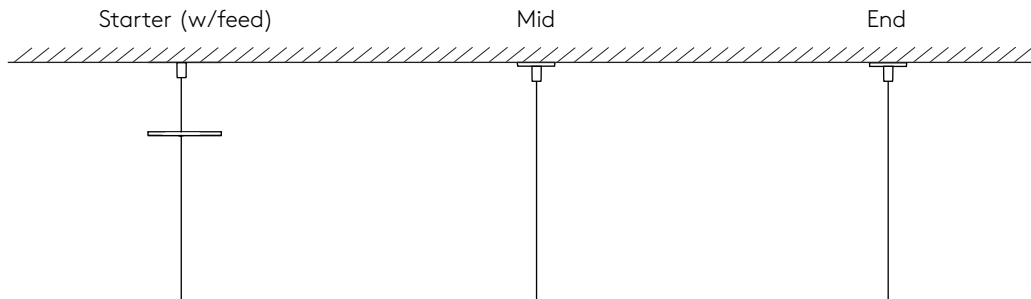


- Please be sure not to scratch or damage fixture when placing on hard or rough surfaces
- Careful not to touch LEDs
- Use min. 2 people when handling luminaires 6' and above.
- Do not bend Luminaire.

Fixture comes pre-assembled  
\* = Can vary depending on your order.

## Cable Installation Instructions

- 1 Mark ceiling at mounting points and install threaded **1/4"-20 Rods** (not included at non-feed locations) or appropriate **mounting hardware** (not included). Install Canopy Covers at all non feed mounting points.

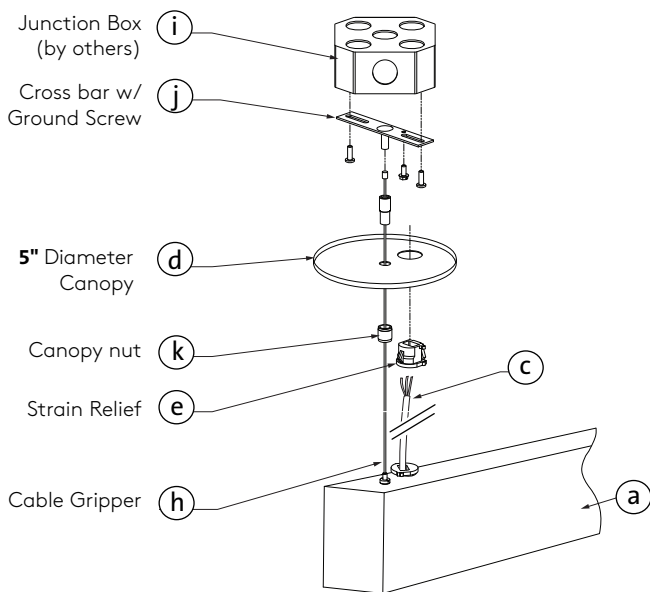


- 2 **For Feed locations:** Install **crossbar** (j) to **outlet box** (i) by tightening (2x) 6-32 screws. Install 1/16" **Aircraft Cable** (b) and route down through **5" Diameter Canopy** (d), **Canopy Nut** (k) [part of canopy cable coupler], through **Cable Gripper** (h) Attach **Cable Gripper** to **fixture** (a) .

Route **feed cable** (c) from **fixture** (a), up through **Canopy** (d), and wire into junction box. Secure wire with **strain relief** (e) and install canopy.

Level **Fixture** (a) and cut excess cable to desired length.

### Feed Locations



### Non-Feed Locations

