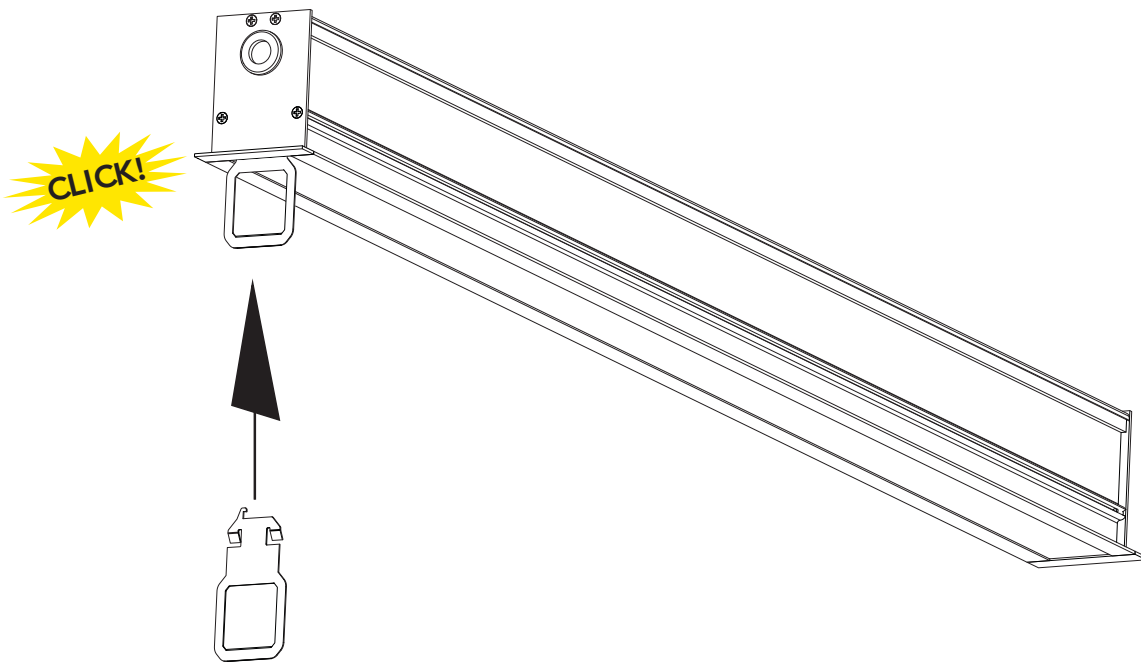


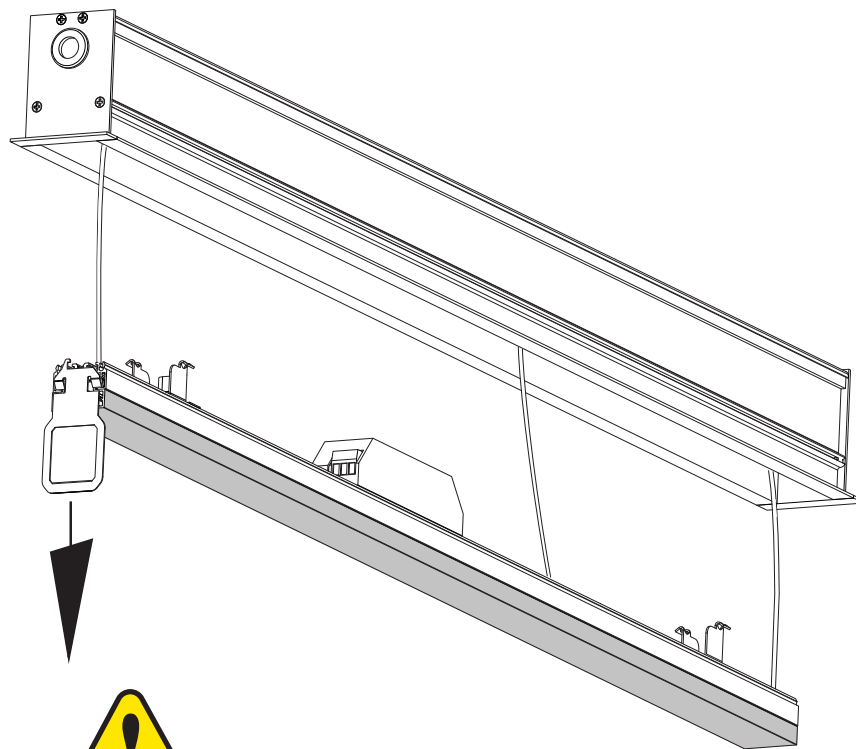
# M36 LED

## Gear Tray Removal

1



2



Selux Corporation © 2013 • TEL 845-834-1400 • 800-735-8927 • FAX 845-834-1401 • www.selux.us

**selux**

Please Note: Disconnect electricity to fixture before working. To be performed by trained personnel only. It is the responsibility of the installer to ensure all electrical, mechanical, and thermal compatibility of the installation site and luminaires prior to installation. Please observe all relevant building codes and regulations. Keep these instructions after unpacking fixture. For indoor use only. For detailed spec sheets and more information on this and our full range of products, please visit our website at selux.us. Warranty information: <http://www.selux.us/en/resources/terms-and-warranty.html>.

Selux Corp. © 2013  
M36-INST-v1.3(0613)  
6-48A075-00