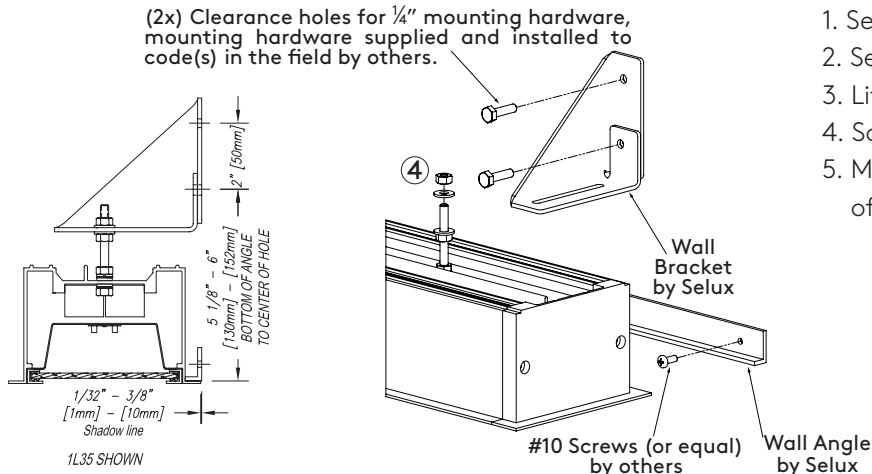


M125 LED

Installation Instructions For Recessed Linear LED

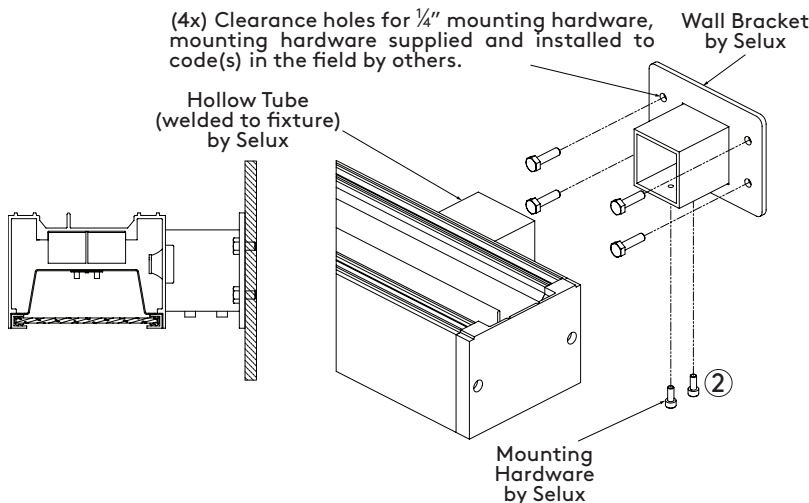
Tools Required for all mountings: ① 5mm Allen Key ② 4mm Allen Key ③ Philips Head Screw Driver
④ 7/16 Wrench

Perimeter Mount (PM)



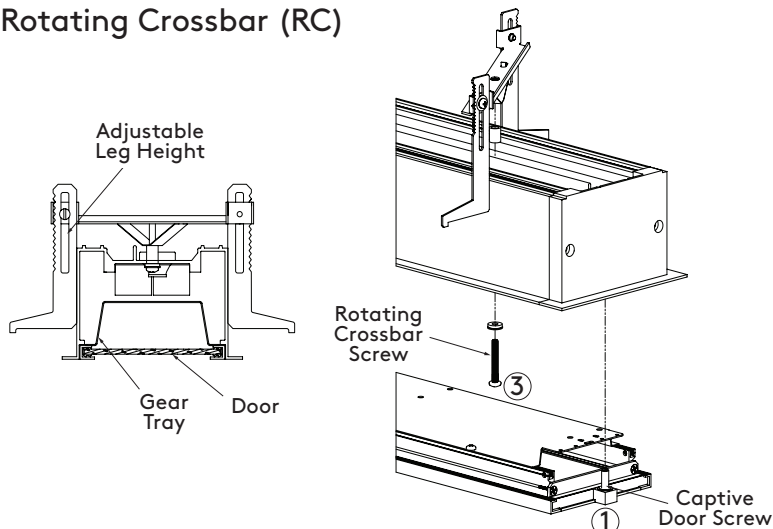
1. Secure wall bracket to the wall.
2. Secure wall angle to the wall.
3. Lift fixture up and level.
4. Screw nut over bolt to hold in place.
5. Make electrical connection and test the function of the luminaire.

Wall Mount (W)



1. Secure wall bracket to the wall.
2. Make electrical connection.
3. Slide fixture onto wall bracket.
4. Secure fixture from bottom with provided fasteners.
5. Test the function of the luminaire.

Rotating Crossbar (RC)



1. Adjust leg height for mounting material thickness.
2. Make electrical connections.
3. Remove door assembly by loosening door screws.
4. Insert fixture into ceiling.
5. Tighten rotating crossbar screw, which will draw fixture into ceiling.
6. Secure door assembly back to fixture by tightening door screws.
7. Test the function of the luminaire.



CAUTION!
LED Radiation
DO NOT STARE
INTO BEAM.
Class II LED Product



ATTENTION!
Observe Precautions
for Handling
Electrostatic Sensitive
Devices



CAUTION!
Only work on
de-energized
equipment

Selux Corporation © 2013 • TEL 845-834-1400 • 800-735-8927 • FAX 845-834-1401 • www.selux.us

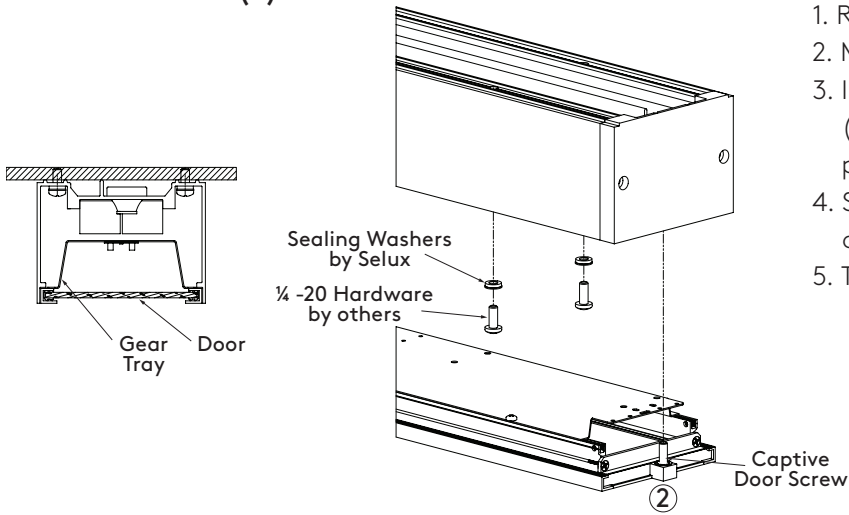
selux

Please Note: Disconnect electricity to fixture before working. To be performed by trained personnel only. It is the responsibility of the installer to ensure all electrical, mechanical, and thermal compatibility of the installation site and luminaires prior to installation. Please observe all relevant building codes and regulations. Keep these instructions after unpacking fixture. For detailed spec sheets and more information on this and our full range of products, please visit our website at selux.us. Warranty information: <http://www.selux.us/en/resources/terms-and-warranty.html>

M125 LED

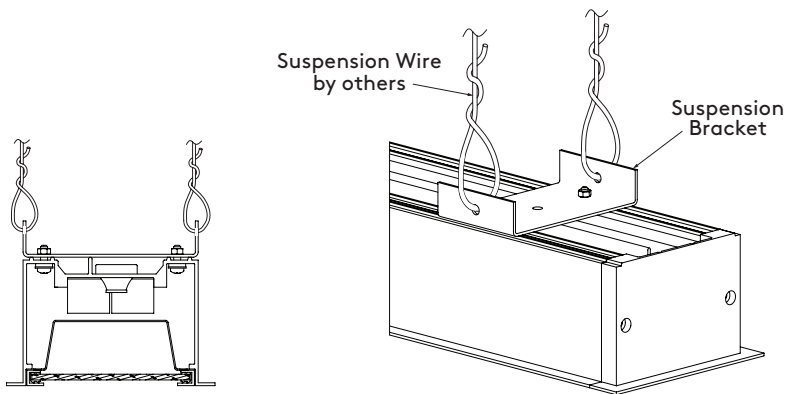
Installation Instructions For Recessed Linear LED

Surface Mount (F)



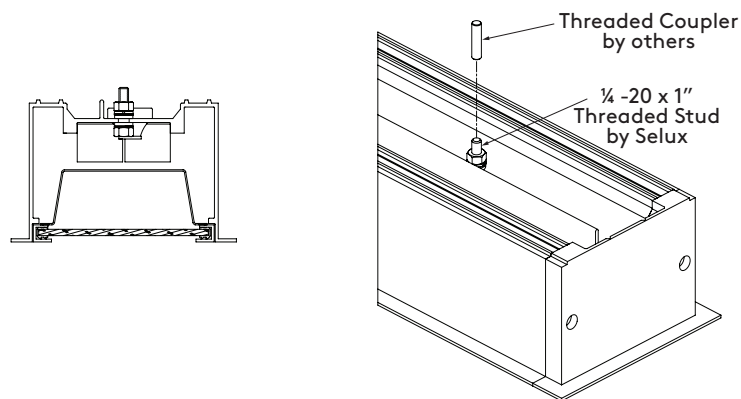
1. Remove door assembly by loosening door screws.
2. Make electrical connection.
3. Insert supplied sealing washer with 1/4-20 Hardware (hardware by others) and screw them through provided holes to secure fixture in place.
4. Secure door assembly back to fixture by tightening door screws.
5. Test the function of the luminaire.

Suspension Brackets (SH)



1. Secure fixture via thru-holes in suspension brackets.
2. Make electrical connection and test the function of the luminaire.

Threaded Stud (TS)



1. Connect 1/4 -20 x 1" threaded stud to 1/4 -20 threaded coupler (by others).
2. Screw to secure fixture in place.
3. Make electrical connection and test the function of the luminaire.

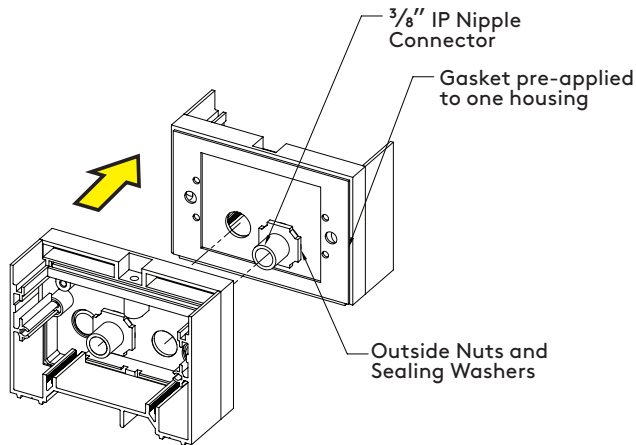


M125 LED

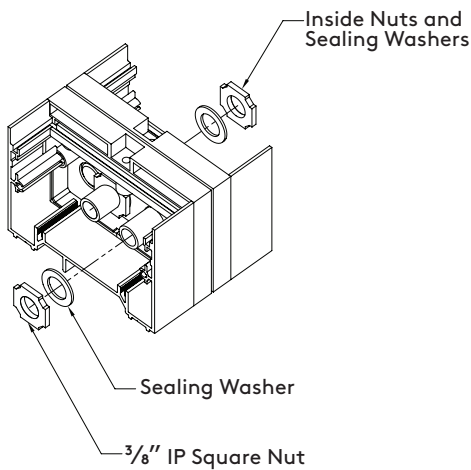
Installation Instructions For Recessed Linear LED

Nipple Connector (NC)

2.

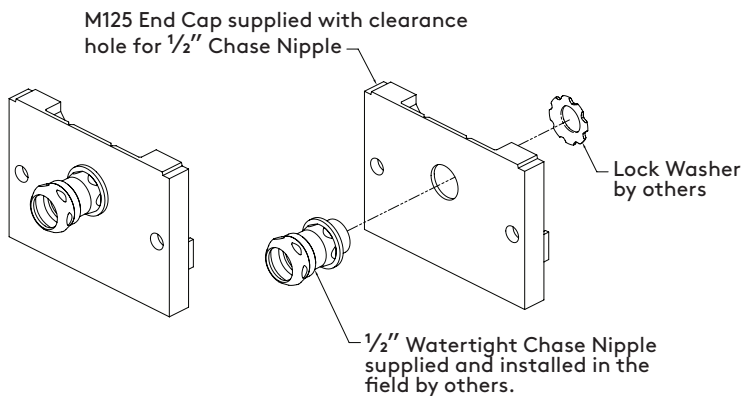


3.



1. Remove door assembly by loosening door screws.
2. Remove nuts and sealing washers that are outside of both housings and slide nipple connectors through clearance holes bringing both the housings together.
3. Apply sealing washers and nuts from inside of housing onto threaded nipple connectors and tighten securely to ensure a watertight seal is maintained.
4. Feed wires through one of the nipples and make electrical connection.
5. Secure door assembly back to fixture by tightening door screws.
6. Test the function of the luminaire.

End Feed (EF)



1. Remove door assembly by loosening door screws.
2. Install 1/2" watertight chase nipple (by others).
3. Feed wires/cord through the nipple and make electrical connection.
4. Secure door assembly back to fixture by tightening door screws.
5. Test the function of the luminaire.



Selux Corporation © 2013 • TEL 845-834-1400 • 800-735-8927 • FAX 845-834-1401 • www.selux.us

selux

Please Note: Disconnect electricity to fixture before working. To be performed by trained personnel only. It is the responsibility of the installer to ensure all electrical, mechanical, and thermal compatibility of the installation site and luminaires prior to installation. Please observe all relevant building codes and regulations. Keep these instructions after unpacking fixture. For detailed spec sheets and more information on this and our full range of products, please visit our website at [selux.us](http://www.selux.us).
Warranty information: <http://www.selux.us/en/resources/terms-and-warranty.html>