

# AT64/AT74 6" - 4"/7" - 4" Round Tapered Aluminum Poles



**Project:** \_\_\_\_\_

**Type:** \_\_\_\_\_ **Qty:** \_\_\_\_\_

**Ordering Format:** \_\_\_\_\_ Series \_\_\_\_\_ Height \_\_\_\_\_ Finish \_\_\_\_\_ Option \_\_\_\_\_



Pole Series	Height	Wall Thickness	EPA Information (ft <sup>2</sup> )					Finish	Options
			70 mph	80 mph	90 mph	100 mph	110 mph		
AT64	12 12 ft.	0.156	20.0	20.0	16.3	13.1	10.7	<b>WH</b> White <b>BK</b> Black <b>BZ</b> Bronze <b>SV</b> Silver <b>SP</b> Specify Premium Color	<b>BC9</b> Optional base cover for AT64 poles only
AT64	14 14 ft.	0.156	20.0	17.7	13.7	10.9	8.9		
AT64	16 16 ft.	0.156	19.0	14.1	10.8	8.6	7.0		<b>REC</b> GFCI Receptacle w/ weather-proof cover
AT64	18 18 ft.	0.156	15.7	11.5	8.7	6.9	5.5		
AT64	20 20 ft.	0.156	13.5	9.6	7.1	5.6	4.4		<b>T30</b> Supplied with Ø3" Tenon, 4" high
AT64	23 23 ft.	0.156	10.0	6.8	4.8	3.7	2.8		
AT74	18 18 ft.	0.156	20.0	17.7	13.7	10.9	8.8		<b>Motion Sensor w/ Optional Photocell</b> (Meets Title 24 Requirements) See Pole Spec Sheet for Order Code.
AT74	20 20 ft.	0.156	20.0	14.9	11.4	9.0	7.3		
AT74	23 23 ft.	0.156	15.8	11.4	8.5	6.6	5.3		
AT74	24 24 ft.	0.156	14.8	10.5	7.8	6.0	4.7		
AT74	25 25 ft.	0.156	13.4	9.5	7.0	5.4	4.2		
Other heights available, consult factory. EPA Calculations allow for 1.3 Gust Factor									

## Standard Specifications

**Pole Shaft** - Pole shaft is spun from seamless 6063 alloy aluminum which is heat treated to a T6 temper.

**Anchor Base** - Anchor base is cast from 356 alloy aluminum which is heat treated to a T6 temper. The anchor base casting and shaft are joined by a continuous circumferential weld at the outside top and inside bottom of the anchor base.

**Access Hole** - The opening measures 3" x 5" (76 x 127mm) for 6" Dia. poles 4" x 6" (102 x 152mm) for 7" Dia. poles, with a cast 356 aluminum tempered to a T6 condition reinforced frame. Frame is supplied with integral ground lug connection located inside pole. Flush fitting cover is supplied with tamper resistant fasteners.

**Anchor Bolts** - Pole is supplied with four steel hot dip galvanized anchor

bolts, 3/4" x 17" for 6" poles and 1" x 36" for 7" poles, each with two nuts, two flat washers and one lock washer.

**Nut Cover** - Poles come standard with cast aluminum nut covers.

**Exterior Luminaire Finish** - Selux utilizes a high quality Polyester Powder Coating. All Selux luminaires and poles are finished in our Tiger Drylac certified facility and undergo a five stage intensive pretreatment process where product is thoroughly cleaned, phosphated and sealed. Selux powder coated products provide excellent salt and humidity resistance as well as ultra violet resistance for color retention. All products are tested in accordance with test specifications for coatings from ASTM and PCI.

Standard exterior colors are White (WH), Black (BK), Bronze (BZ), and Silver (SV). Selux premium colors

(SP) are available, please specify from your Selux color selection guide. Hot Dip Galvanized finish (GV) on all steel parts also available.

**All Poles** are constructed per AASHTO standards for structural supports for highway signs, luminaires and traffic signals as published in 1994.

A consideration of field conditions such as (but not limited to) wind zone, height, vibration must be given by the designer/specifier for the appropriate application.

Performance of poles is dependent upon proper support/attachment of pole to adequate foundation design. Selux does not design or offer recommendations for foundations. EPA values assume that the bottom of the pole is at grade level.

Call Selux (1-800-SELUXCS) if there are any questions, or for any assistance in determining suitability with appropriate fixtures.

Selux Corp. © 2018  
 TEL (845) 834-1400  
 FAX (845) 834-1401  
 www.selux.us  
 A64-74-0118-01 (ss-v3.38)

Union Made Affiliated  
 with IBEW Local 363

Made in the USA

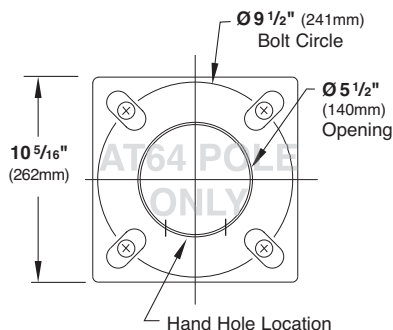
In a continuing effort to offer the best product possible, we reserve the right to change, without notice, specifications or materials that in our opinion will not alter the function of the product. Specification sheets found at www.selux.us are the most recent versions and supercede all other printed or electronic versions.

# AT64/AT74 6" - 4"/7" - 4" Round Tapered Aluminum Poles



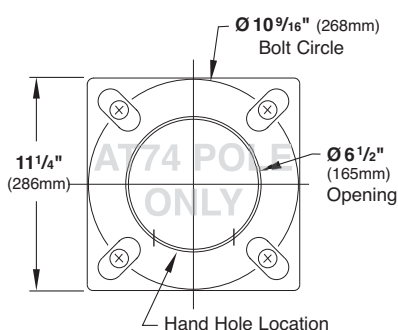
## Bolt Circle (AT64)

Use caution when setting anchor bolts. Bolts must be vertically straight and centered on dimensions shown.

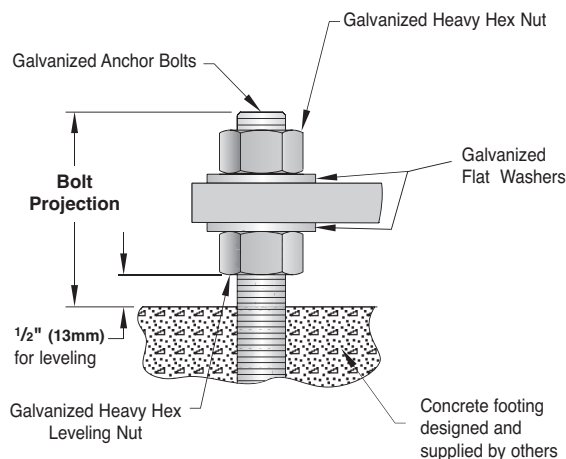


## Bolt Circle (AT74)

Use caution when setting anchor bolts. Bolts must be vertically straight and centered on dimensions shown.



## Anchor Bolt Detail



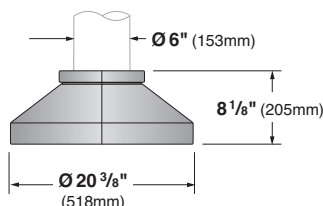
**Note:** Adequate drainage must be provided in concrete foundation.

## Additional Spec Information

Pole Series	Top Diameter	Bottom Diameter	Handhole Size	Base Size	Conduit Opening	Bolt Size	Bolt Circle	Bolt Projection
AT64	4"	6"	3" x 5"	$10 \frac{5}{16}'' \times 10 \frac{5}{16}''$	$5 \frac{1}{2}''$	$\frac{3}{4}'' \times 17''$	$9 \frac{1}{2}''$	$3 \frac{1}{2}''$
AT74	4"	7"	4" x 6"	$11 \frac{1}{4}'' \times 11 \frac{1}{4}''$	$6 \frac{1}{2}''$	1" x 36"	$10 \frac{9}{16}''$	$4 \frac{1}{8}''$

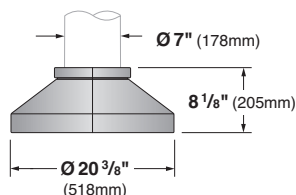
## BC9 Optional Base Cover (AT64)

Die cast aluminum, two-piece field installable base cover.



## BC10 Optional Base Cover (AT74)

Die cast aluminum, two-piece field installable base cover.



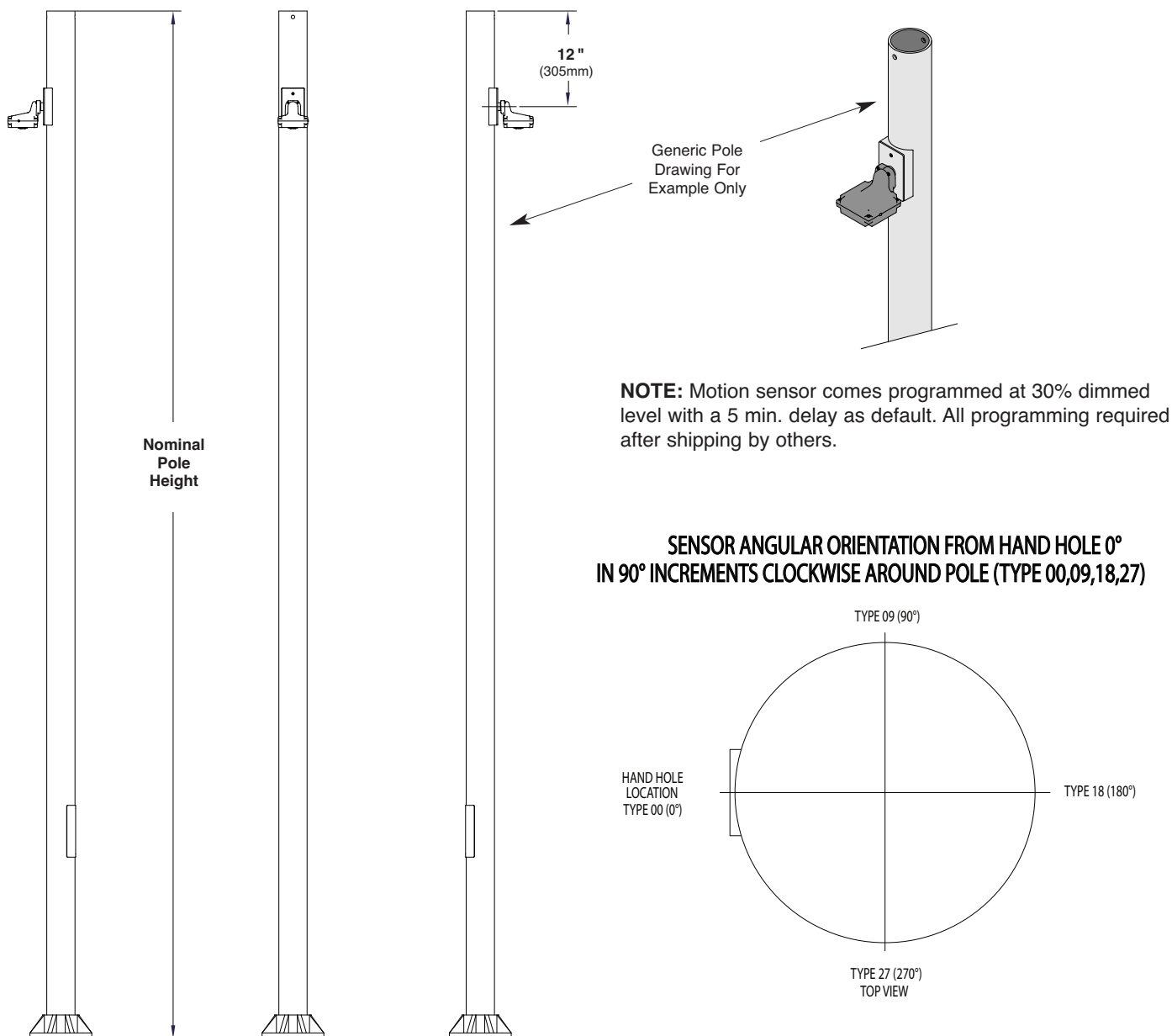
# AT64/AT74 6" - 4" / 7" - 4" Round Tapered Aluminum Poles



## Motion Sensor

The Selux outdoor rated sensor incorporates Passive Infrared (PIR) technology for motion sensing and also includes a built in photocell. Designed to mount directly through a 1/2" KO in a single gang faceplate on pole/column, the SBO utilizes 100% Digital Passive Infrared (PIR) technology that is tuned for walking size while preventing false tripping from the environment.

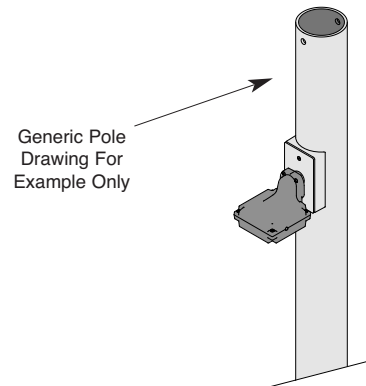
Series	Optics	Hand Hole Orientation	Program	Color	Photocell Feature	Voltage
MS Motion Sensor	1 270° coverage - Single Sensor	00	D0 0V=0%	WH White	Y Yes	UNV 347 480
		09	D1 1V=10%	BK Black	N No	
		18	D3 3V=30%	BZ Bronze		
		27	D5 5V=50%			
			Goes from dim level to full bright upon motion			



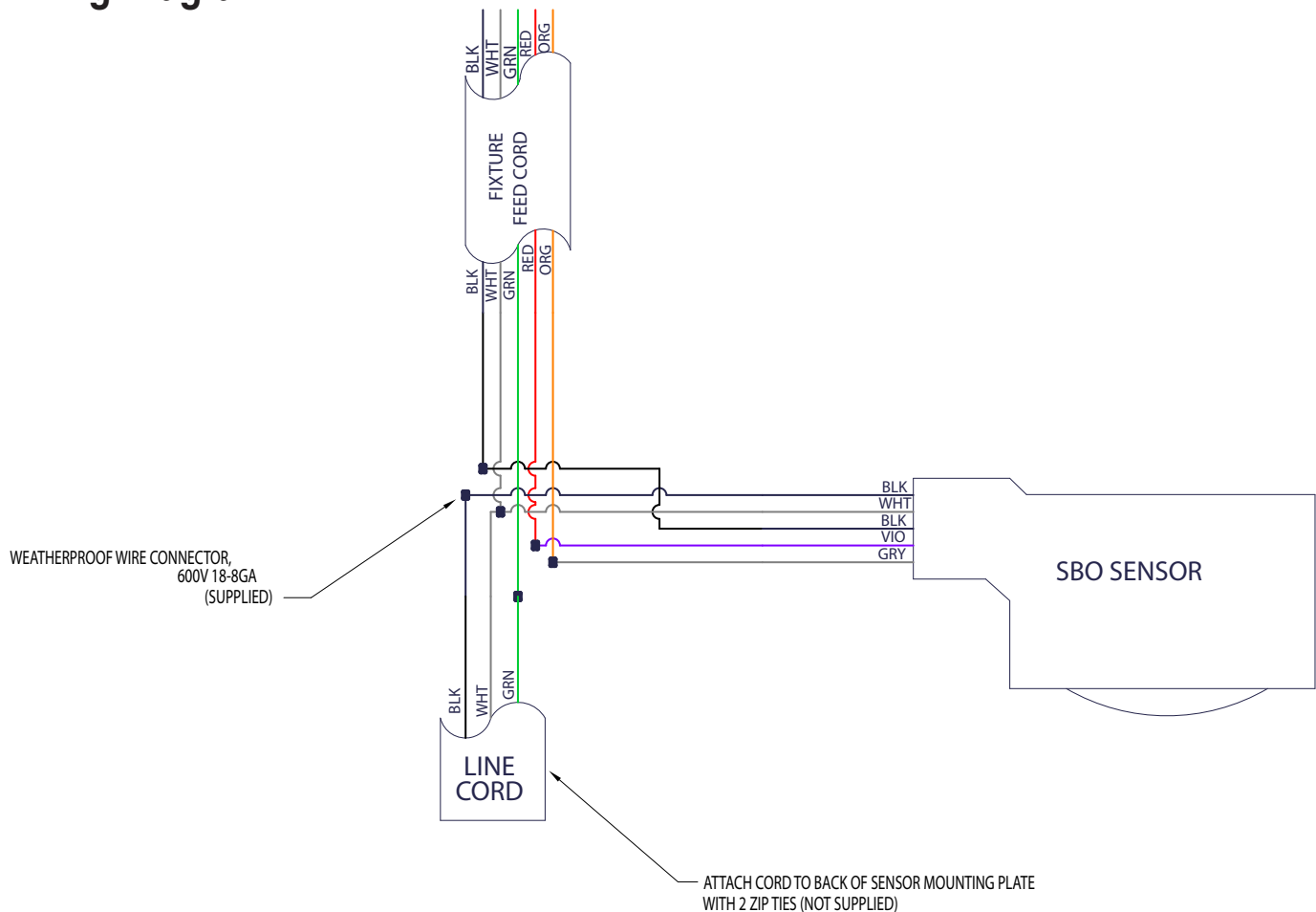
## Motion Sensor Features

### Features

- 100% Digital PIR Detection, excellent RF Immunity
- 270° coverage pattern
- Up to 30ft mounting
- IP66 Rated for outdoor applications
- Built-in 1kV surge protection
- No minimum load requirements
- Made for LED light source
- Interchangeable hot and load wires - impossible to wire backwards
- Adjustable time delays, max/min dim levels and ramp rates
- Programming button accessible without opening sensor or removing gaskets
- No field calibration or sensitivity adjustments required
- Non-volatile setting memory
- Convenient test mode
- Suitable for Title 24 applications

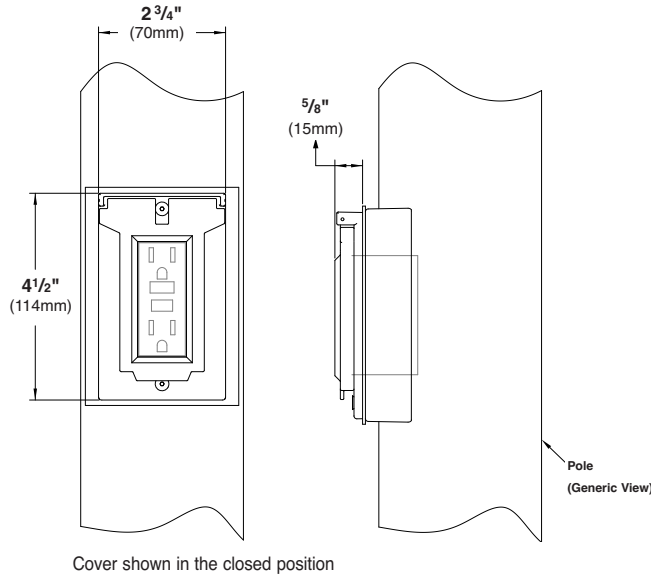


## Wiring Diagram

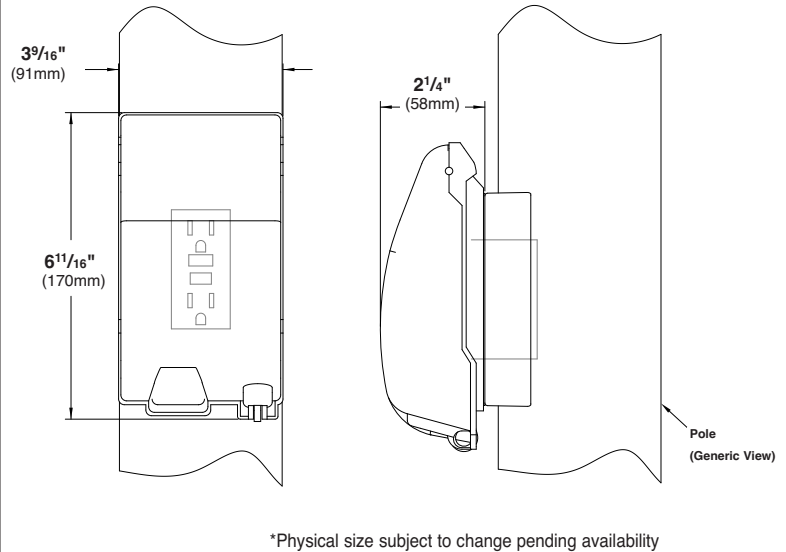


## Optional Accessories

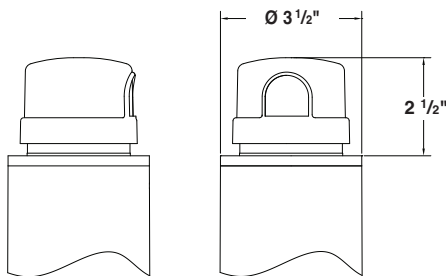
**GFCI Receptacle with flat cover (REC)** - 120V 15A GFCI duplex receptacle with weather-proof, self-closing non-lockable cover; located 36" (915mm) from base of pole, inline with handhole. Receptacle is intended only for portable tools or other portable equipment to be connected to outlet only when attended by operating personnel. For use with 120v applications only, for other fixture voltages, please consult factory for wire segregation requirements.



**GFCI Receptacle with in-use cover (REC2)** - 120V 15A GFCI duplex receptacle with weather-proof, self-closing padlockable in-use cover; located 36" (915mm) from base of pole, inline with handhole. Receptacle is intended only for portable tools or other portable equipment to be connected to outlet only when attended by operating personnel. For use with 120v applications only, for other fixture voltages, please consult factory for wire segregation requirements.



**Photo Cell (PC)** - Twist lock photocell mounted to aluminum cap which attaches to pole top or can be remotely located. Can be oriented for optimum performance. *Refer to fixture spec sheet to determine if this option is applicable.*



**Photo Cell Tenon (PCT)** - Button type photocell mounted in cast aluminum pole top tenon. Tenon has integral cast visor to prevent false start/stop cycle and can be oriented for optimum performance. *Refer to fixture spec sheet to determine if this option is applicable.*

