

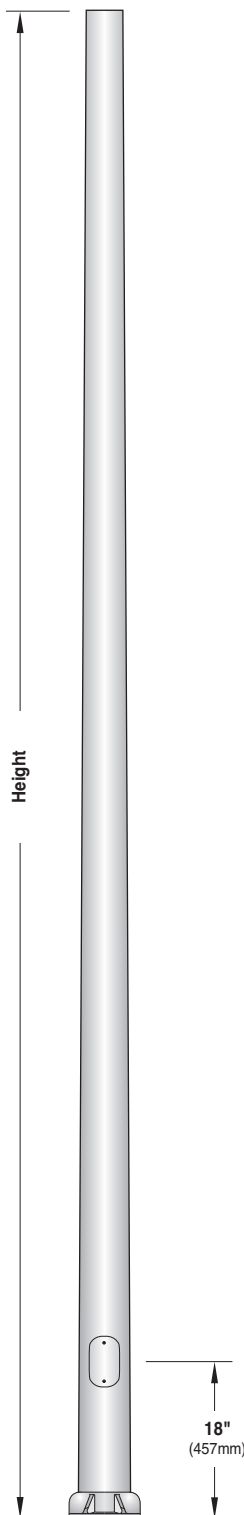
AT106 10" - 6" Round Tapered Aluminum Pole



Project: _____

Type: _____ **Qty:** _____

Ordering Format: AT106 - _____ - _____ - _____
Series Height Finish Option



Height	Wall Thickness	EPA Information (ft ²)					Finish	Options	
		70 mph	80 mph	90 mph	100 mph	110 mph			
30 30 ft.	0.188	26.8	20	15.3	11.7	9.2	WH White	REC GFCI Receptacle w/ weather-proof cover	
35 35 ft.	0.188	21.6	15.9	12	9.1	6.8	BK Black	REC2 GFCI Receptacle w/ padlockable in-use cover	
39 39 ft.	0.188	19.4	14.2	10.5	7.8	5.8	BZ Bronze	T35 Supplied with Ø3 1/2" Tenon, 4 1/2" high	
							SV Silver	Motion Sensor w/ Optional Photocell (Meets Title 24 Requirements) See Pole Spec Sheet for Order Code. For PC refer to fixture spec sheets (where applicable). For other options consult factory.	
							SP Specify Premium Color		
Other heights available, consult factory.		EPA Calculations allow for 1.3 Gust Factor							

Standard Specifications

Pole Shaft - Pole shaft is spun from seamless 6063 alloy aluminum which is heat treated to a T6 temper.

Anchor Base - Anchor base is cast from 356 alloy aluminum which is heat treated to a T6 temper. The anchor base casting and shaft are joined by a continuous circumferential weld at the outside top and inside bottom of the anchor base.

Access Hole - The opening measures 4" x 6" (102 x 152mm) with a cast 356 aluminum tempered to a T6 condition reinforced frame. Frame is supplied with integral ground lug connection located inside pole. Flush fitting cover is supplied with tamper resistant fasteners.

Anchor Bolts - Pole is supplied with four steel hot dip galvanized 1" x 36" anchor bolts, each with two nuts and two flat washers.

Nut Cover - Poles come standard with cast aluminum nut covers.

Exterior Luminaire Finish - Selux utilizes a high quality Polyester Powder Coating. All Selux luminaires and poles are finished in our Tiger Drylac certified facility and undergo a five stage intensive pretreatment process where product is thoroughly cleaned, phosphated and sealed. Selux powder coated products provide excellent salt and humidity resistance as well as ultra violet resistance for color retention. All products are tested in accordance with test specifications for coatings from ASTM and PCI.

Standard exterior colors are White (WH), Black (BK), Bronze (BZ), and Silver (SV). Selux premium colors (SP) are available, please specify from your Selux color selection guide. Hot Dip Galvanized finish (GV) on all steel parts also available.

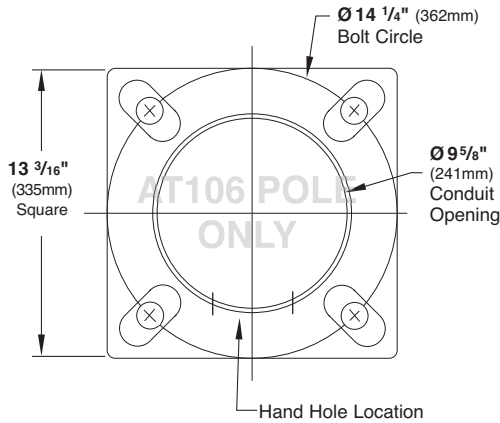
All Poles are constructed per AASHTO standards for light poles. A consideration of field conditions such as (but not limited to) wind zone, height, vibration must be given by the designer/specifier for the appropriate application. Performance of poles is dependent upon proper support/attachment of pole to adequate foundation design. Selux does not design or offer recommendations for foundations. EPA values assume that the bottom of the pole is at grade level.

Call Selux (1-800-SELUXCS) if there are any questions, or for any assistance in determining suitability with appropriate fixtures.

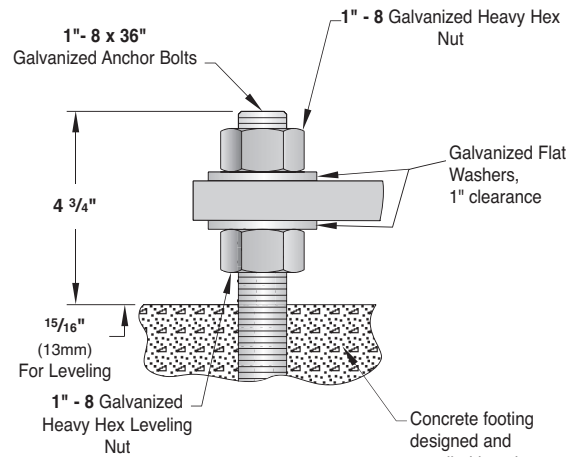
AT106 10" - 6" Round Tapered Aluminum Pole

Bolt Circle

Use caution when setting anchor bolts. Bolts must be vertically straight and centered on dimensions shown.



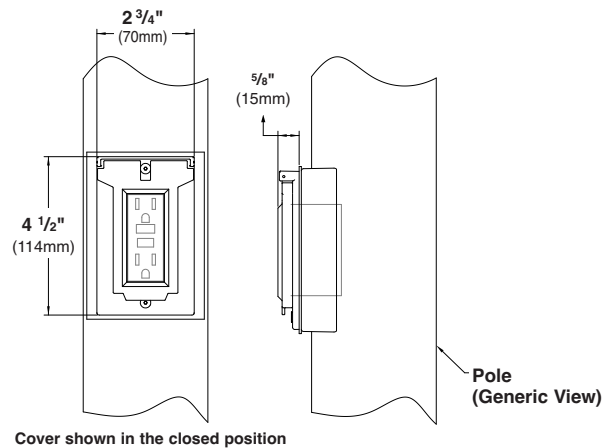
Anchor Bolt Detail



Note: Adequate drainage must be provided in concrete foundation.

Optional Accessories

GFCI Receptacle (REC) - 120V 15A GFCI duplex receptacle with weather-proof, self-closing cover; located 36" (915mm) from base of pole, in line with handhole. Receptacle is intended only for portable tools or other portable equipment to be connected to outlet only when attended by operating personnel. For use with 120V applications only. For other fixture voltages, please consult factory for wire segregation requirements.



GFCI Receptacle (REC2) - 120V 15A GFCI duplex receptacle with weather-proof, self-closing, padlockable in-use cover; located 36" (915mm) from base of pole, in line with handhole. Receptacle is intended only for portable tools or other portable equipment to be connected to outlet only when attended by operating personnel. For use with 120V applications only. For other fixture voltages, please consult factory for wire segregation requirements.

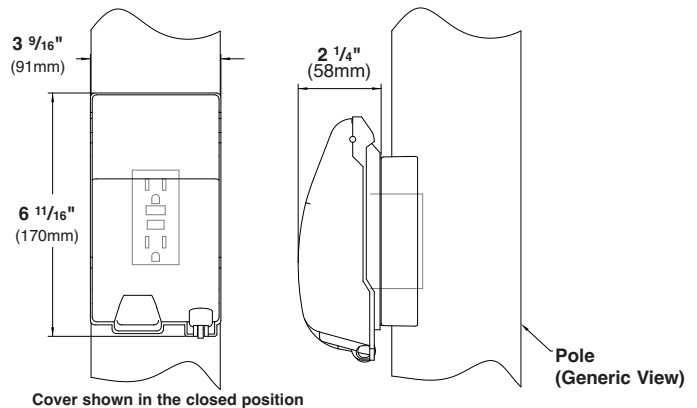
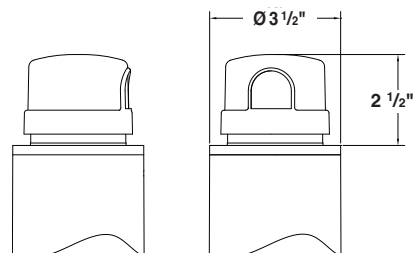


Photo Cell (PC) - Twist lock photocell mounted to aluminum cap which attaches to pole top or can be remotely located. Can be oriented for optimum performance. Refer to fixture spec sheet to determine if this option is applicable.

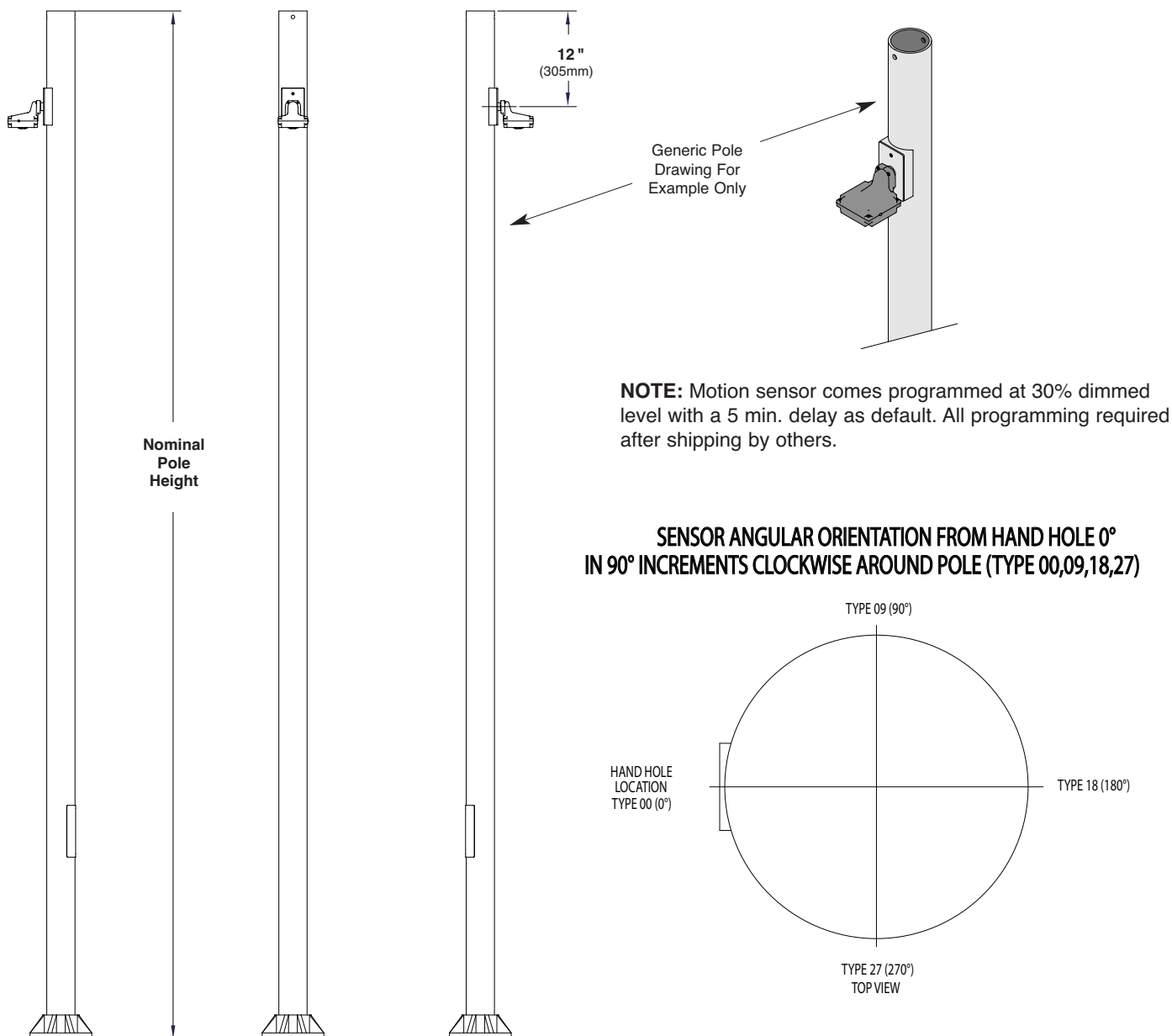


AT106 10" - 6" Round Tapered Aluminum Pole

Motion Sensor

The Selux outdoor rated sensor incorporates Passive Infrared (PIR) technology for motion sensing and also includes a built in photocell. Designed to mount directly through a 1/2" KO in a single gang faceplate on pole/column, the SBO utilizes 100% Digital Passive Infrared (PIR) technology that is tuned for walking size while preventing false tripping from the environment.

Series	Optics	Hand Hole Orientation	Program	Color	Photocell Feature	Voltage
MS Motion Sensor	1 270° coverage - Single Sensor	00	D0 0V=0%	WH White	Y Yes	UNV 347 480
		09	D1 1V=10%	BK Black	N No	
		18	D3 3V=30%	BZ Bronze		
		27	D5 5V=50%			
			Goes from dim level to full bright upon motion			

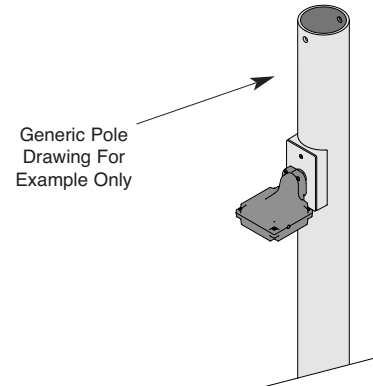


AT106 10" - 6" Round Tapered Aluminum Pole

Motion Sensor Features

Features

- 100% Digital PIR Detection, excellent RF Immunity
- 270° coverage pattern
- Up to 30ft mounting
- IP66 Rated for outdoor applications
- Built-in 1kV surge protection
- No minimum load requirements
- Made for LED light source
- Interchangeable hot and load wires - impossible to wire backwards
- Adjustable time delays, max/min dim levels and ramp rates
- Programming button accessible without opening sensor or removing gaskets
- No field calibration or sensitivity adjustments required
- Non-volatile setting memory
- Convenient test mode
- Suitable for Title 24 applications



Wiring Diagram

