

# Saturn Magnum

# selux



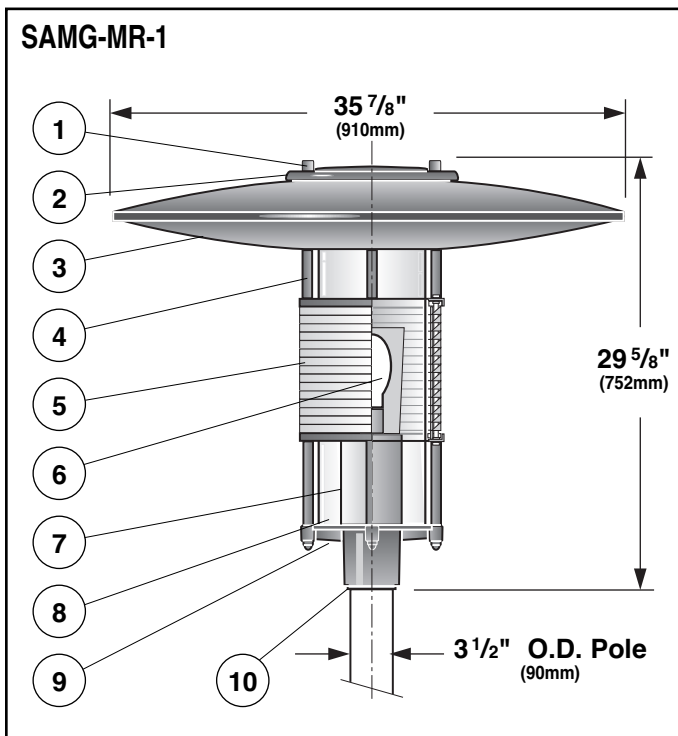
**Project:** \_\_\_\_\_

**Type:** \_\_\_\_\_ **Qty:** \_\_\_\_\_

**SAMG** - **MR** - \_\_\_\_\_ - \_\_\_\_\_ - \_\_\_\_\_ - \_\_\_\_\_ - \_\_\_\_\_  
**Series**      **Optics**      **Mounting**      **Lamping**      **Finish**      **Voltage**      **Options**

\_\_\_\_\_ - \_\_\_\_\_ - \_\_\_\_\_ - \_\_\_\_\_  
**Pole Series**      **Height**      **Finish**      **Pole Options**

Series	Optics	Mounting	Lamping / Wattage	Finish	Voltage	Options
<b>SAMG</b> Saturn Magnum	<b>MR</b> Type V MTR* 261 Refractor  Refractor is an integral part of the fixture and is not an option.	1 Single 2 Double <b>W</b> Wall Mount	<u>Metal Halide</u>	<b>WH</b> White	<b>120</b>	<b>HS</b> House Side Shield (180°)
			<b>H050</b> <sup>1</sup> 50w <b>H070</b> 70w <b>H100</b> 100w <b>H150</b> 150w	<b>BK</b> Black <b>BZ</b> Bronze <b>SV</b> Silver <b>SP</b> Specify Premium Color		
				* US Patent No. 4,669,034	<sup>1</sup> Not available with 347v.	<sup>2</sup> Only for 55v lamp



**4. Cover Support** - Four stainless steel supports connect the hood, refractor, and base.

**5. Shielding** - Integral Type V MTR 261 refractor.

**6. Lamp** - One coated base down, medium base ED-17 metal halide or high pressure sodium up to 150w. Provided by others.

**7. Electroblock** - Extruded aluminum tubing houses high-efficiency, pulse start, core and coil ballast. 4KV Pulse rated porcelain, medium base socket is mounted to die-cast aluminum socket cup for maximum heat dissipation and is pre-wired to ballast. Socket cup attaches to electroblock with two stainless steel screws and is easily removable for ballast service. Consult factory for more detailed ballast information.

**8. Diffuser** - Clear, U.V. stabilized, acrylic with a minimum wall thickness of 1/8" (3mm).

**9. Gasketing** - Continuous molded neoprene gasket provides weatherproofing, dust, and insect control at diffuser base.

**10. Pole Fitter** - Self-leveling, die-cast aluminum, fitter base secured to pole with two, stainless steel, Allen head set screws. For 3 1/2" (90mm) O.D. poles.

**Exterior Luminaire Finish** - SELUX utilizes a high quality Polyester Powder Coating. All SELUX luminaires and poles are finished in our Tiger Drylac certified facility and undergo a five stage intensive pretreatment process where product is thoroughly cleaned, phosphated and sealed. SELUX powder coated products provide excellent salt and humidity resistance as well as ultra violet resistance for color retention. All products are tested in accordance with test specifications for coatings from ASTM and PCI.

Standard exterior colors are White (WH), Black (BK), Bronze (BZ), and Silver (SV). SELUX premium colors (SP) are available, please specify from your SELUX color selection guide.

**1. Cover Set Screw** - Stainless steel hex screws provide attachment of fixture cover and support to connection rods. Loosening these two screws allows removal of fixture cover without tools.

**2. Fixture Cover** - Aluminum cover has industrial felt gasketing for air circulation. Cover removes for lamp access.

**3. Fixture Hood** - Double spun ellipsoidal aluminum shade, painted silver.

Selux Corp. © 2012  
 TEL (845) 691-7723  
 FAX (845) 691-6749  
 www.selux.us  
 SAMG-0712-01 (ss-V4.4)

**NRTL Listed (i.e. UL, CSA)**  
 Union Made Affiliated  
 with **IBEW Local 363**

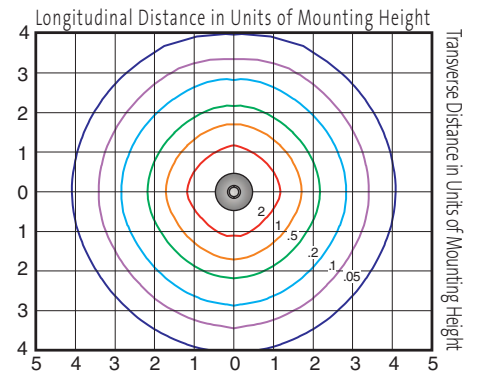
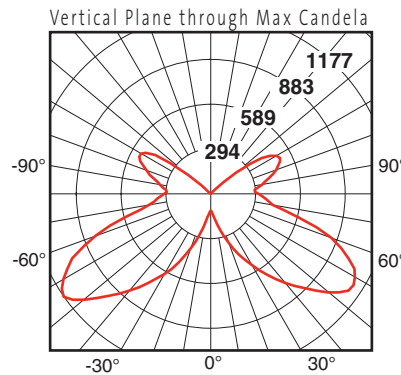
In a continuing effort to offer the best product possible, we reserve the right to change, without notice, specifications or materials that in our opinion will not alter the function of the product. Specification sheets found at www.selux.us are the most recent versions and supercede all other printed or electronic versions.

## Photometry

Type V Refractor / 150w MH

Catalog # SAMG-MR-1-H150  
Report # LSI-24186

- Innovative “multi-prisms for total reflection” incorporates light-bending characteristics of a prism. US patent no. 4,669,034.
- Directs light precisely with minimum intensity at critical viewing angles.
- Maximum candela of 1177 at -55° from vertical
- IES classification = Type V Semi-cutoff.



DOWNLOAD IES FILE:  
<http://www.selux.us/web/files/exterior/SAMG-MR-1-H150.zip>

HID Lamp Prorate Table					
High Pressure Sodium			Metal Halide		
Wattage	Factor	Initial Lumens	Wattage	Factor	Initial Lumens
50	0.29	3800	50	0.24	3200
70	0.45	5950	70	0.40	5300
100	0.66	8800	100	0.64	8500
150	1.02	13500	150	1.00	13300

Conversion Chart	
Values based on 12' mounting height.	
Mounting Height	Multiply
8'	1.22
10'	1.10
12'	1.00
14'	0.93
16'	0.87

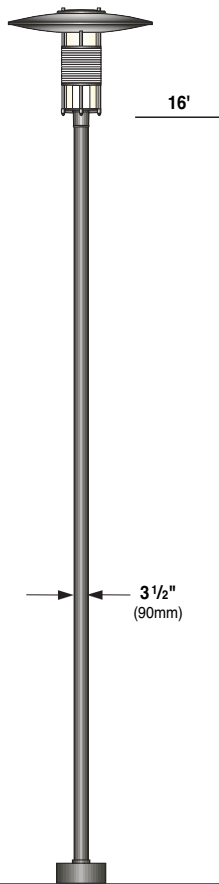
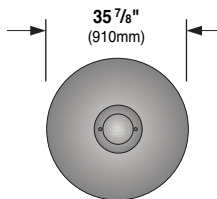
# Saturn Magnum

**selux**

## Mounting

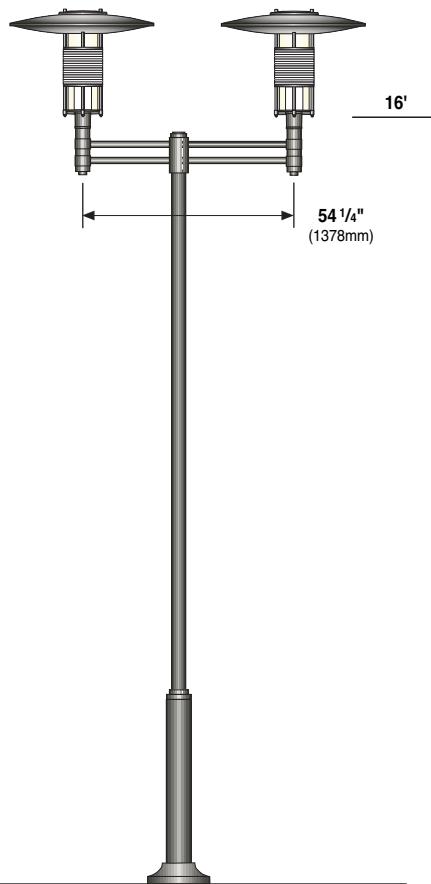
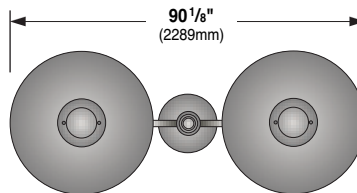
### Single

Die-cast aluminum fitter base secured to pole with two stainless steel Allen head set screws.



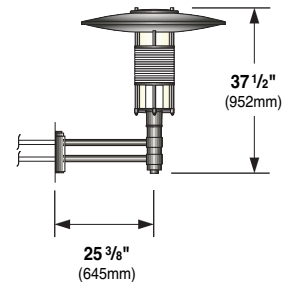
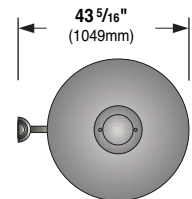
### Double

Die-cast aluminum double luminaire mounting arm secured to pole with four stainless steel Allen head set screws. Outer slip fitter for 3 1/2" tenon.



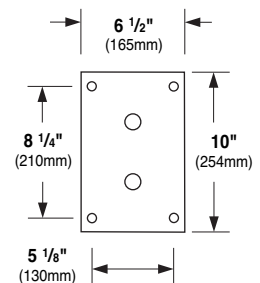
### Wall

Die-cast aluminum double round wall mount arm. Secured to wall with 1/4" diameter threaded fasteners (by others).



### Wall Arm Mounting Detail

(Conduit and mounting hardware by others.)

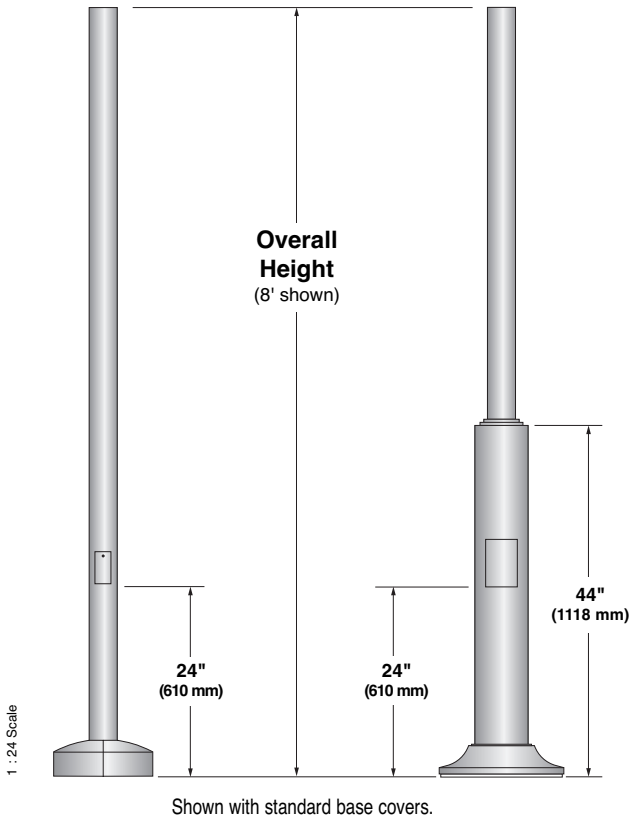


## Pole Information

Refer to pole specification sheets for construction details, anchorage information and additional options.

**A35 & S35**  
Round Straight Aluminum  
& Round Straight Steel Poles

**S635**  
Round Stepped  
Steel Pole



## Base Cover Information

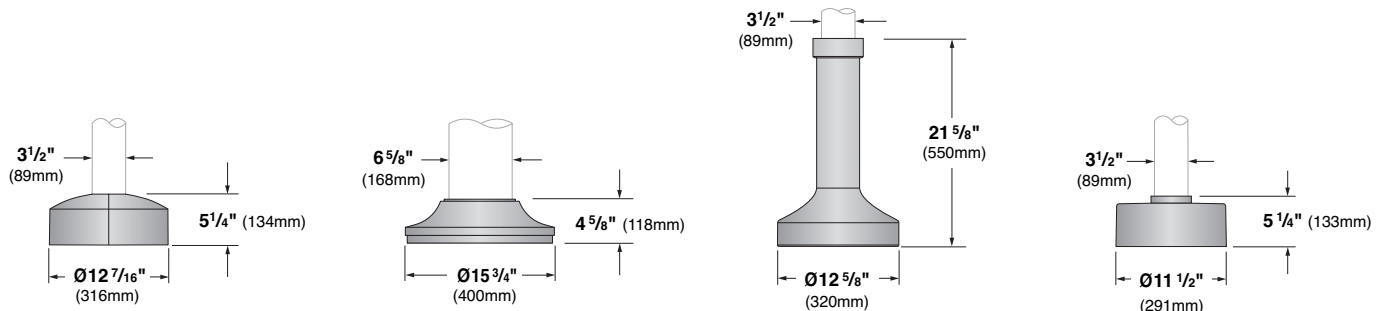
Refer to pole specification sheets for construction details, anchorage information and additional options.

**Straight Poles (A35 & S35)**  
**BC5 Standard Base Cover**  
Two-piece cast aluminum

**Stepped Steel Pole (S635)**  
**BC6 Standard Base Cover**  
One-piece cast aluminum

**BC1 Optional Base Cover**  
(A35 & S35) One-piece cast aluminum

**BC4 Optional Base Cover**  
(A35 & S35) One-piece cast aluminum



## Pole Data Chart

Pole Series	Bolt Circle	EPA Information (ft <sup>2</sup> )					Height	Finish	Options
		70 mph	80 mph	90 mph	100 mph	110 mph			
<b>S635</b> 3 1/2" Diameter Stepped Steel Pole	ø9"	57.6	44.3	34.6	27.5	22.8	8 8 ft.	<b>WH</b> White <b>BK</b> Black	<b>BC1</b> Decorative Cast Aluminum Base Cover (for A35 & S35 poles only)
<b>A35</b> 3 1/2" Diameter Straight Aluminum Pole	ø7 3/4"	16.1	12.2	9.4	7.3	5.9			
<b>S35</b> 3 1/2" Diameter Straight Steel Pole	ø7 3/4"	14.8	11.3	8.6	6.7	5.4			
<b>S635</b> 3 1/2" Diameter Stepped Steel Pole	ø9"	45.6	35.0	27.3	21.6	17.8	10 10 ft.	<b>BZ</b> Bronze <b>SV</b> Silver	<b>BC4</b> One-piece Cast Aluminum Base Cover (for A35 & S35 poles only)
<b>A35</b> 3 1/2" Diameter Straight Aluminum Pole	ø7 3/4"	12.4	9.3	7.1	5.4	4.3			
<b>S35</b> 3 1/2" Diameter Straight Steel Pole	ø7 3/4"	11.4	8.6	6.5	4.9	3.9			
<b>S635</b> 3 1/2" Diameter Stepped Steel Pole	ø9"	37.6	28.7	22.3	17.5	14.4	12 12 ft.	<b>SP</b> Specify Premium Color	<b>REC</b> GFCI Receptacle with weather-proof cover <sup>1</sup>
<b>A35</b> 3 1/2" Diameter Straight Aluminum Pole	ø7 3/4"	9.9	7.3	5.4	4.0	3.1			
<b>S35</b> 3 1/2" Diameter Straight Steel Pole	ø7 3/4"	9.1	6.7	4.9	3.6	2.8			
<b>S635</b> 3 1/2" Diameter Stepped Steel Pole	ø9"	31.7	24.2	18.6	14.6	11.9	14 14 ft.		For PCT option, see p.1
<b>A35</b> 3 1/2" Diameter Straight Aluminum Pole	ø7 3/4"	8.0	5.8	4.2	3.0	2.2			
<b>S35</b> 3 1/2" Diameter Straight Steel Pole	ø7 3/4"	7.3	5.3	3.8	2.7	1.9			
<b>S635</b> 3 1/2" Diameter Stepped Steel Pole	ø9"	21.7	15.8	12.3	9.6	7.6	16 16 ft.		<sup>1</sup> Weatherproof cover intended for portable tools or other portable equipment connected to the outlet only when attended. For other requirements please consult factory.
<b>A35</b> 3 1/2" Diameter Straight Aluminum Pole	ø7 3/4"	4.9	3.2	2.2	1.4	0.8			
<b>S35</b> 3 1/2" Diameter Straight Steel Pole	ø7 3/4"	4.4	2.8	1.9	1.2	0.6			

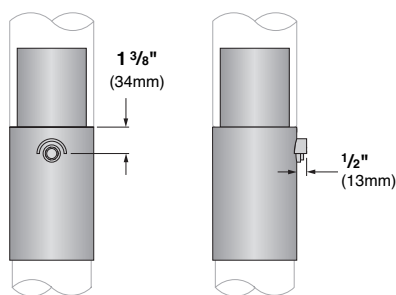
<sup>1</sup>Other pole configurations available, consult factory.

Effective Projected Area of Single Luminaire = 0.92 ft<sup>2</sup> (0.09m<sup>2</sup>) / Weight of Luminaire = 35.0 lbs (15.9kg)

Effective Projected Area of Double Luminaire = 2.37 ft<sup>2</sup> (0.22m<sup>2</sup>) / Weight of Double Luminaire (includes arms) = 94.0 lbs (42.6kg)

## Optional Accessories

**Photo Cell Tenon (PCT)** - Button type photocell mounted in cast aluminum pole top tenon. Tenon has integral cast visor to prevent false start/stop cycle and can be oriented for optimum performance. Refer to fixture spec sheet to determine if this option is applicable.



**GFCI Receptacle (REC)** - GFCI duplex receptacle with cast base bolted to pole and gasketed, provided with weather-proof, self-closing cover; located 36" (915mm) from base of pole, inline with hand-hole. Receptacle is intended only for portable tools or other portable equipment to be connected to outlet only when attended by operating personnel. Not available for A4P Quad Post pole.

