

Date: _____ Customer: _____
 Project: _____
 Type: _____ Qty: _____



Saturn 2 Cutoff



Order Code: SAC2 - - - - -

Pole Order Code: _____

| | Series | Height | Finish | Options | | | | |
|------|---|---|--|--|---|------------------------------------|--------------------------------|--------------------------------|
| SAC2 | Series SAC 2 Saturn 2 Cutoff | | | | | | | |
| | Optics | R2 Type II Distribution | R5 Type V Distribution | | | | | |
| | Mounting | 1 Single | 1A Single Arm Mount | 2 Double W Wall Mount | | | | |
| | Lamping | T6 Metal Halide | | | | | | |
| | | H039T6¹ 39W T6 G12 | H070T6 70W T6 G12 | H150T6 150W T6 G12 | | | | |
| | | ¹ Only available in 120v and 277v | | | | | | |
| | Lamp Color | 830 3000° K | 942 4200° K | NOL Lamp not included | | | | |
| | Power Cord Length | 8^{2,3} 8' | 10^{2,3} 10' | 12^{2,3} 12' | 14^{2,3} 14' | 16^{2,3} 16' | 18^{2,3} 18' | XX^{2,3} XX' |
| | | ² For 1 mounting use the pole height ³ For 1A or 2 mounting use the pole height +2 | | | | | | |
| | Finish | WH White | BK Black | BZ Bronze | SV Silver | SP Specify Premium Color | | |
| | Voltage | 120 | 208 | 240 | 277 | 347 | | |
| | Options | DS No Uplight Finish | HS House Side Shield (180°) | FS⁴ Single Fusing | PCT Photocell Tenon See page 5 for details | | | |
| | | ⁴ Not available with 347v | | | | | | |

Product Modifications

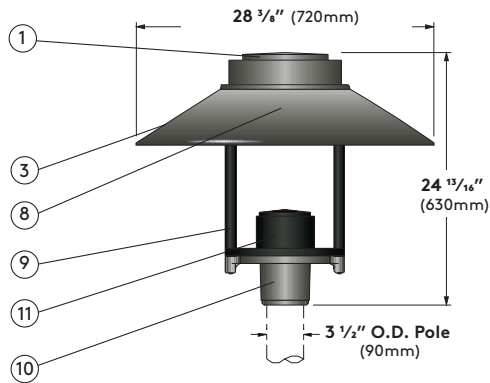
Please list modification requirements for review by factory:

Approvals



Date: _____

SAC2-XX-1-DS



Specifications

1. Luminaire Cover - Die cast aluminum cover removes easily with no tools for access to optics chamber.

2. Gasketing - (not shown) Continuous gasket provides weatherproofing, dust and insect control at all fixture connections.

3. Luminaire Hood - Aluminum shade with white painted interior.

4. Reflector - (Not shown) Precision formed, completely sealed aluminum reflector system with a Type II or Type V IDA-Approved™ dark sky friendly distribution.

5. Lamp - (Not shown) Choose between 39 to 150 watt T6 (or T7.5) G12 base ceramic metal halide lamps. Supplied with 3000° K or 4200° K lamps. Other color temperatures are available, please consult factory. Horizontal lamp for R2 and R5 reflectors.

6. Socket - (Not shown) Pulse rated porcelain G12 base socket. Socket is pre-wired to ballast at factory.

7. Ballast - (Not shown) A high power factor, open core and coil ballast regulates voltage for H.I.D. lamp. Consult factory for detailed ballast information.

8. Lamp Access Door - Hinged tempered glass lens, secured to luminaire with two tool-less latches. Lens gasketed to die cast aluminum

shade stabilizer.

9. Hood Supports - Two aluminum arms support shade and optic assembly and attach to the die cast aluminum pole fitter (shown painted matte black for DS option).

10. Pole Fitter - Self-leveling, die-cast aluminum, fitter base secured to pole with three, stainless steel, Allen head set screws. Fitter for 3 1/2" (90mm) O.D. poles.

11. Ballast cover - Die cast aluminum ballast cover removes easily for access to ballast. Ballast secured to removable tray for ease of maintenance (shown painted matte black for DS option).

Exterior Luminaire Finish - Selux utilizes a high quality Polyester Powder Coating. All Selux luminaires and poles are finished in our Tiger Drylac certified facility and undergo a five stage intensive pretreatment process where product is thoroughly cleaned, phosphated and sealed. Selux powder coated products provide excellent salt and humidity resistance as well as ultra violet resistance for color retention. All products are tested in accordance with test specifications for coatings from ASTM and PCI.

Standard exterior colors are White (WH), Black (BK), Bronze (BZ), and Silver (SV). Selux premium colors (SP) are available, please specify from your Selux color selection guide.

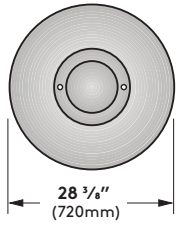
NRTL Listed (i.e. UL, CSA)

Mounting

Single (1)

Die-cast aluminum fitter base secured to pole with three stainless steel, Allen head set screws.

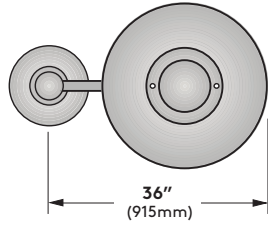
EPA = 1.3ft² (0.12m²)
Weight = 39lbs. (17.7kg)



Single Arm Mount (1A)

Die-cast aluminum single luminaire mounting arm secured to pole with four stainless steel, Allen head set screws. Outer slip fitter for 3/2" tenon.

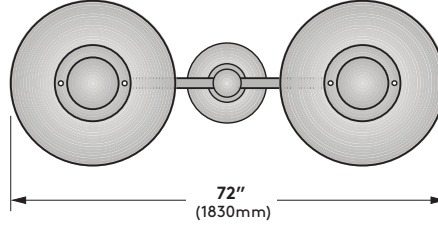
EPA = 2.3ft² (0.21m²)
Weight = 53lbs. (24.0kg)



Double (2)

Die-cast aluminum double luminaire mounting arm secured to pole with four stainless steel, Allen head set screws. Outer slip fitter for 3/2" tenon.

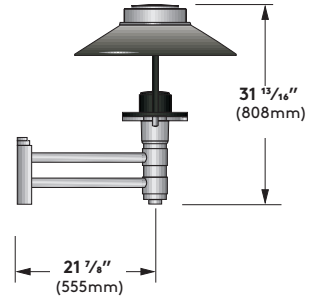
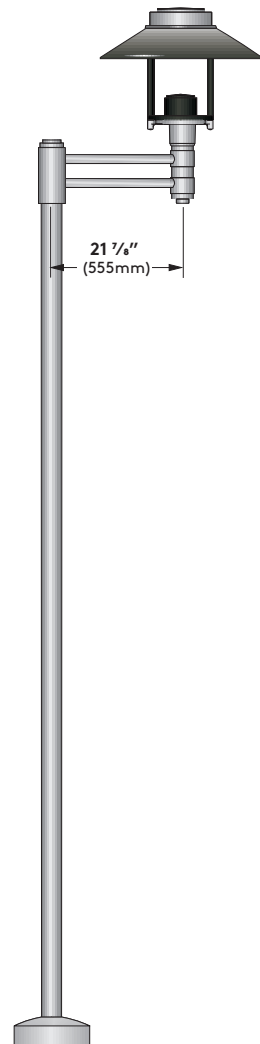
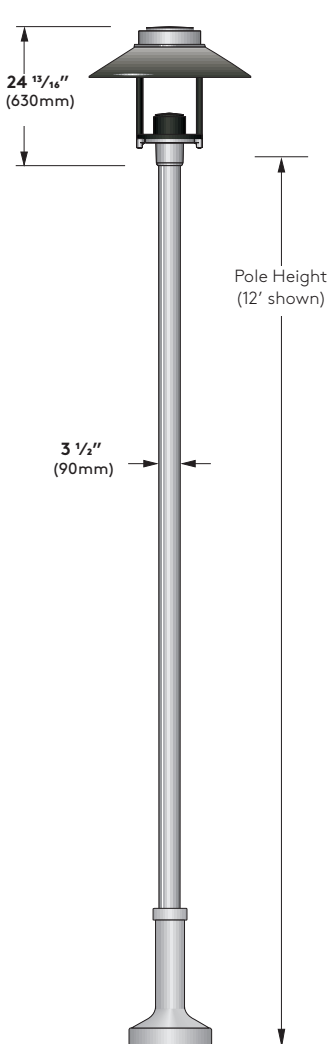
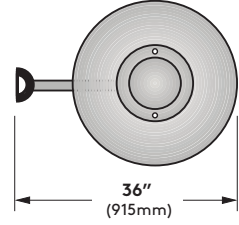
EPA = 4.2ft² (0.39m²)
Weight = 176lbs. (79.3kg)



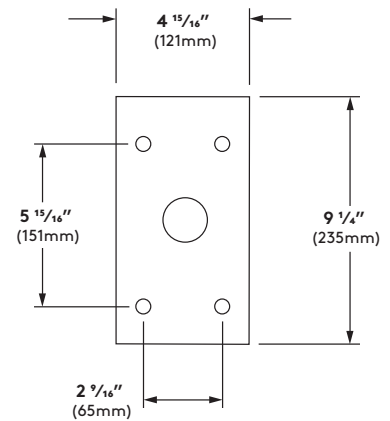
Wall (W)

Die-cast aluminum double round wall mount arm. Secured to wall with 1/4" diameter threaded fasteners (by others).

EPA = 2.1ft² (0.20m²)
Weight = 50lbs. (22.7kg)



Wall Arm Mounting Detail
(Conduit and mounting hardware by others).



Pole Information

Refer to pole specification sheets for construction details, anchorage information and additional options.

Base Cover Information

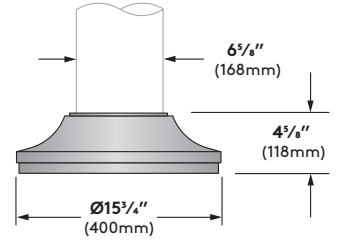
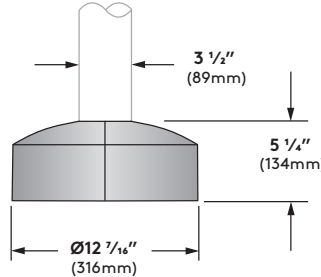
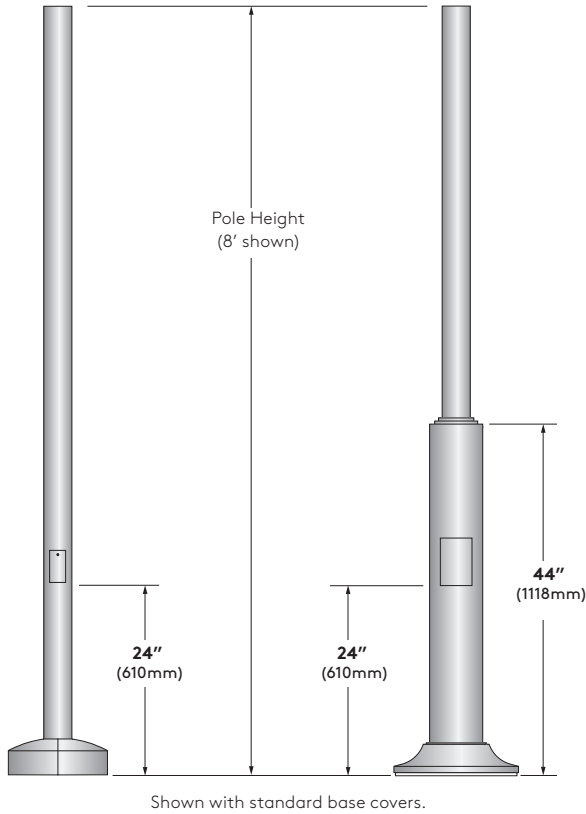
Refer to pole specification sheets for construction details, anchorage information and additional options.

A35 & S35
Round Straight Aluminum
& Round Straight Steel

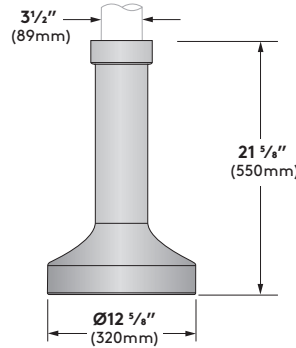
S635
Round Stepped Steel Poles

Standard Base Cover (BC5)
Supplied with A35 and S35
Two-piece cast aluminum

Standard Base Cover (BC6)
Supplied with S635
One-piece cast aluminum



Optional Base Cover (BC1)
For A35 and S35 only
One-piece cast aluminum

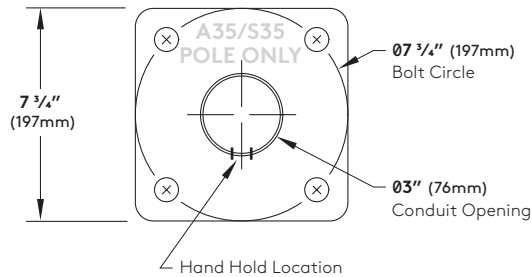


Pole Data Chart

| Pole Series | Bolt Circle | EPA Information | | | | | Height | Finish | Options |
|---|-------------|-----------------|-------|-------|--------|--------|-----------|--------------------------|--|
| | | 70mph | 80mph | 90mph | 100mph | 110mph | | | |
| S635 3 1/2" Diameter Stepped Steel Pole | Ø9" | 57.6 | 44.3 | 34.6 | 27.5 | 22.8 | 8 ft. | WH White BK Black | BC1 Decorative Cast Aluminum Base Cover (for A35 & S35 poles only) REC GFCI Receptacle with weatherproof cover ¹ (120V only) |
| A35 3 1/2" Diameter Straight Aluminum Pole | Ø7 3/4" | 16.1 | 12.2 | 9.4 | 7.3 | 5.9 | | | |
| S35 3 1/2" Diameter Straight Steel Pole | Ø7 3/4" | 14.8 | 11.3 | 8.6 | 6.7 | 5.4 | | | |
| S635 3 1/2" Diameter Stepped Steel Pole | Ø9" | 45.6 | 35.0 | 27.3 | 21.6 | 17.8 | 10 10 ft. | BZ Bronze SV Silver | |
| A35 3 1/2" Diameter Straight Aluminum Pole | Ø7 3/4" | 12.4 | 9.3 | 7.1 | 5.4 | 4.3 | | | |
| S35 3 1/2" Diameter Straight Steel Pole | Ø7 3/4" | 11.4 | 8.6 | 6.5 | 4.9 | 3.9 | | | |
| S635 3 1/2" Diameter Stepped Steel Pole | Ø9" | 37.6 | 28.7 | 22.3 | 17.5 | 14.4 | 12 12 ft. | SP Specify Premium Color | |
| A35 3 1/2" Diameter Straight Aluminum Pole | Ø7 3/4" | 9.9 | 7.3 | 5.4 | 4.0 | 3.1 | | | |
| S35 3 1/2" Diameter Straight Steel Pole | Ø7 3/4" | 9.1 | 6.7 | 4.9 | 3.6 | 2.8 | | | |
| S635 3 1/2" Diameter Stepped Steel Pole | Ø9" | 31.7 | 24.2 | 18.6 | 14.6 | 11.9 | 14 14 ft. | | |
| A35 3 1/2" Diameter Straight Aluminum Pole | Ø7 3/4" | 8.0 | 5.8 | 4.2 | 3.0 | 2.2 | | | |
| S35 3 1/2" Diameter Straight Steel Pole | Ø7 3/4" | 7.3 | 5.3 | 3.8 | 2.7 | 1.9 | | | |
| S635 3 1/2" Diameter Stepped Steel Pole | Ø9" | 21.7 | 15.8 | 12.3 | 9.6 | 7.6 | 16 16 ft. | | |
| A35 3 1/2" Diameter Straight Aluminum Pole | Ø7 3/4" | 4.9 | 3.2 | 2.2 | 1.4 | N/A | | | |
| S35 3 1/2" Diameter Straight Steel Pole | Ø7 3/4" | 4.4 | 2.8 | 1.9 | N/A | N/A | | | |

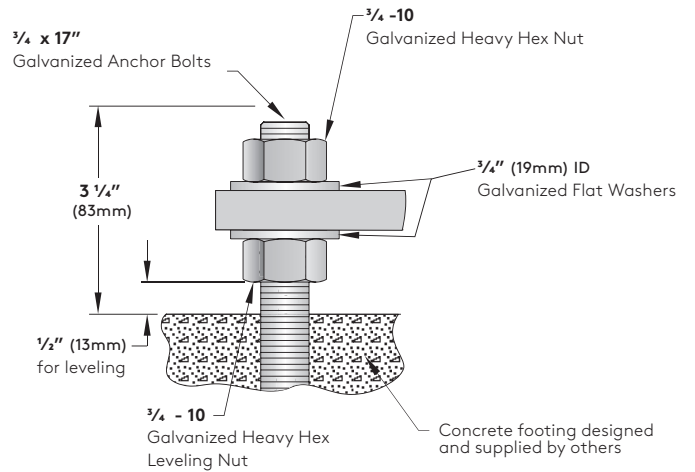
Bolt Circle for A35 & S35

Use caution when setting anchor bolts. Bolts must be vertically straight and centered on dimensions shown



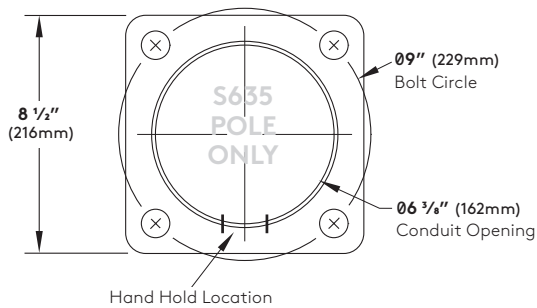
Note: Adequate drainage must be provided in concrete foundation.

Anchor Bolt Detail for A35 & S35



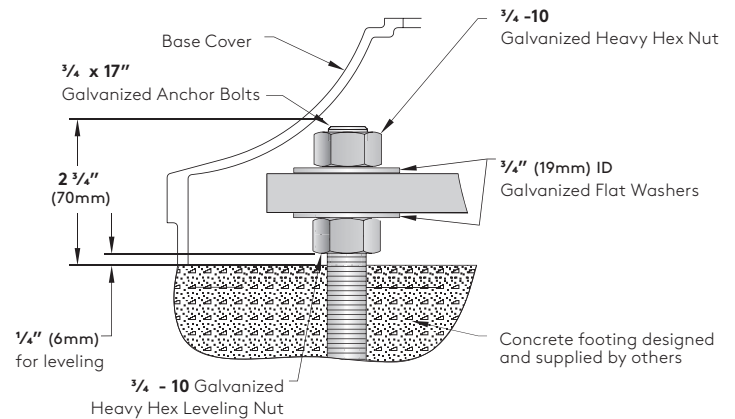
Bolt Circle for S635

Use caution when setting anchor bolts. Bolts must be vertically straight and centered on dimensions shown.



Note: Adequate drainage must be provided in concrete foundation.

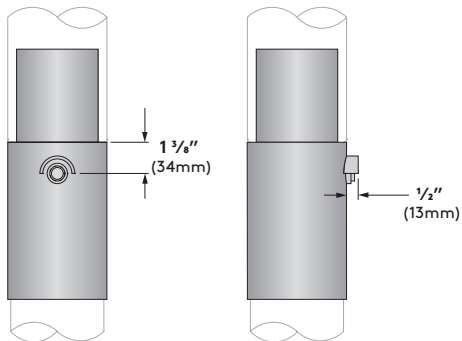
Anchor Bolt Detail for S635



Optional Accessories

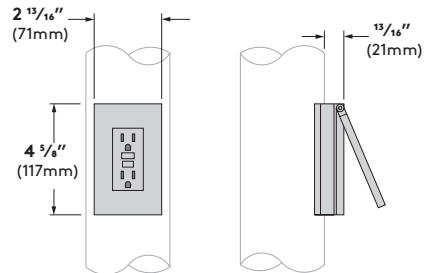
Single Fusing (FS) - Single inline fuse holder, shipped separately for infield installation behind hand hole (by others). Available up to 277V.

Photo Cell Tenon (PCT) - Button type photocell mounted in cast aluminum pole top tenon. Tenon has integral cast visor to prevent false start/stop cycle and can be oriented for optimum performance. Refer to luminaire spec sheet to determine if this option is applicable.

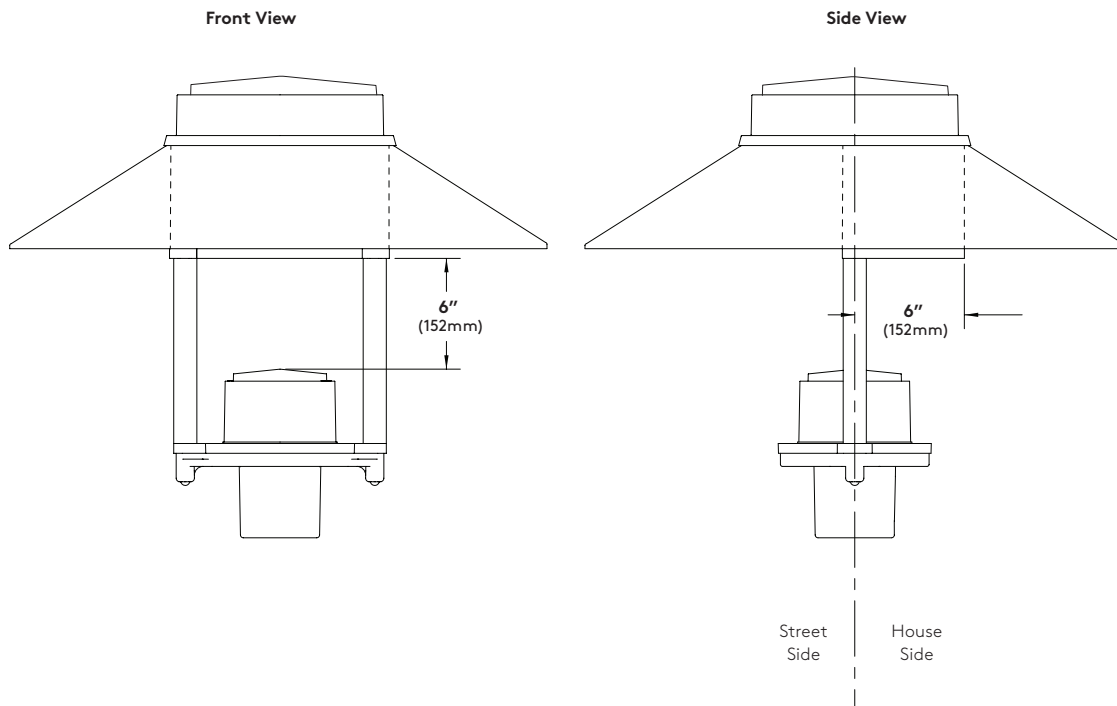


No Uplight Finish (DS) - In order to achieve BUG U0 rating, the hood support and the driver cover are painted matte black to avoid uplight.

GFCI Receptacle (REC) - GFCI duplex receptacle with cast base bolted to pole and gasketed, provided with weather-proof, self-closing cover; located 36" (915mm) from base of pole, inline with handhole. Receptacle is intended only for portable tools or other portable equipment to be connected to outlet only when attended by operating personnel (120V only).



House Side Shield



| H.I.D. Lap Prorate Table (Clear, G12 base) T6 Metal Halide | | |
|---|--------|----------------|
| Wattage | Factor | Initial Lumens |
| 39 | 0.24 | 3300 |
| 70 | 0.47 | 6600 |
| 150 | 1.00 | 14000 |

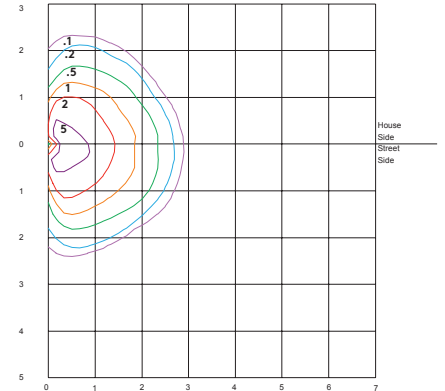
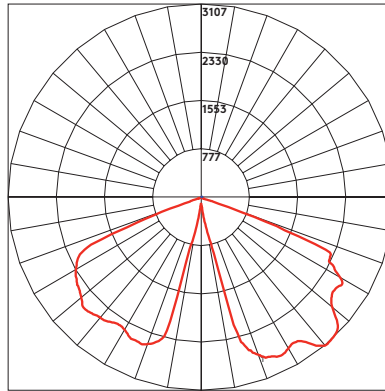
| Conversion Chart | |
|---|----------|
| Values based on 12' (3.7 m) mounting height | |
| Mounting Height | Multiply |
| 8' (2.4 m) | 1.22 |
| 10' (3.0 m) | 1.10 |
| 12' (3.7 m) | 1.00 |
| 14' (4.3 m) | 0.93 |
| 16' (4.9 m) | 0.87 |

Photometry

Type II Reflector / 150W LED MHT6 / Full Cutoff Optics

Catalog #: SAC2-R2-1-H150T6-120
 Delivered Lumens: 7735
 Input Watts:
 Efficacy: 52 lm/W
 Maximum candela of 3106 at 41° from vertical.
 IES classification - Type II Full-Cutoff
 Mounting Height = 12' (3.7 m)
 B2-U0-G2
 IDA-Approved™ dark sky friendly

[Link to photometry \(PDF\)](#)
[Link to photometry \(IES\)](#)



Type V Reflector / 150W MHT6 / Full Cutoff Optics

Catalog #: SAC2-R5-1-H150T6-DS
 Delivered Lumens: 8824
 Input Watts:
 Efficacy: 59 lm/W
 Maximum candela of 3231 at 51.5° from vertical.
 IES classification - Type III Full-Cutoff
 Mounting Height = 12' (3.7 m)
 B3-U0-G2
 IDA-Approved™ dark sky friendly

[Link to photometry \(PDF\)](#)
[Link to photometry \(IES\)](#)

