

Saturn Bollard

selux



Project: _____

Type: _____ Qty: _____

SAB - - - - -
 Series - Optics - Mounting - Lamping - Finish - Voltage

Option

Series	Optics	Mounting	Lamping			Finish	Voltage	Options
SAB Saturn Bollard	MA Type III MTR 135 Refractor	2 2 ft. (.6m)	<u>T6 Metal Halide</u>	<u>Metal Halide</u>	<u>HPS</u>	WH White	120	HS ⁴ House Side Shield (180°) QR Quartz Restrike (40w max)
	MS Type V MTR 135 Refractor	2.5 2 1/2 ft. (.8m)	H039T6 ^{1,2} 39wT6	H050 ³ 50w	S050 ³ 50w	BK Black	208	
	SP Type V Silver Louver	3 3 ft. (.9m)	H070T6 ^{1,2} 70wT6	H070 70w	S070 70w	BZ Bronze	240	
	WP Type V White Louver	3.5 3 1/2 ft. (1.1m)	<u>Compact Fluorescent</u> F042 ^{3,5} 42w Triple Tube F070 ^{3,5} 70w Triple Tube			SV Silver	277	
	MR Type V MTR 150 Refractor	4 4 ft. (1.2m)				W Wall Mount (or specify custom height)	SP Specify Premium Color	

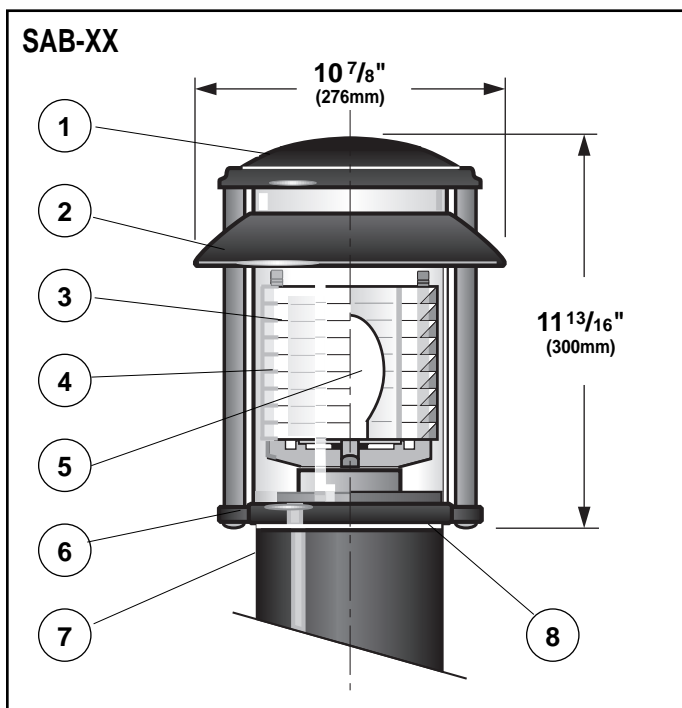
¹ Only available in 120v and 277v

² Only available with MA and MS refractors

³ Not available with 347v

⁴ Not available with MA

⁵ Only available with WP, SP and MR refractors



1. Fixture Cover - Die-cast aluminum cover painted white (except for SV-finish) on the interior for maximum luminaire efficiency. Removes for easy access to lamp chamber.

2. Fixture Hood - Die-cast aluminum shade.

3. Optics - Select Type III or V MTR135 refractor; high pressure die-cast aluminum Type V silver or white louvers; or Type V MTR

Refractor. Formed aluminum House-Side Shield available for all Type V Refractors. Clip-on prisms create Type III distribution for MA optics.

4. Diffuser - Clear, U.V. stabilized, acrylic with a minimum wall thickness of 0.125" (3mm).

5. Lamp - Select one coated, base down, medium base ED-17 metal halide up to 70w or high pressure sodium up to 75w; one G12 base T6 metal halide, up to 70w; or up to one 42w triple tube compact fluorescent. Lamp provided by others.

6. Gasketing - Continuous neoprene gasket provides weather-proofing, dust, and insect control for all fixture connections.

7. Column - Extruded aluminum tubing houses core and coil ballast for HID lamps and cold-weather electronic ballast for fluorescent lamps. Pulse rated porcelain medium base socket for HID lamps attaches to die-cast aluminum socket cup for maximum heat dissipation and is pre-wired to ballast. Consult factory for more detailed ballast information.

8. Column Fitter - Die-cast aluminum fitter base secured to column with stainless steel, threaded fasteners.

Exterior Luminaire Finish - Selux utilizes a high quality Polyester Powder Coating. All Selux luminaires and poles are finished in our Tiger Drylac certified facility and undergo a five stage intensive pretreatment process where product is thoroughly cleaned, phosphated and sealed. Selux powder coated products provide excellent salt and humidity resistance as well as ultra violet resistance for color retention. All products are tested in accordance with test specifications for coatings from ASTM and PCI.

Standard exterior colors are White (WH), Black (BK), Bronze (BZ), and Silver (SV). Selux premium colors (SP) are available, please specify from your Selux color selection guide. Hot Dip Galvanized finish (GV) on all steel parts also available.



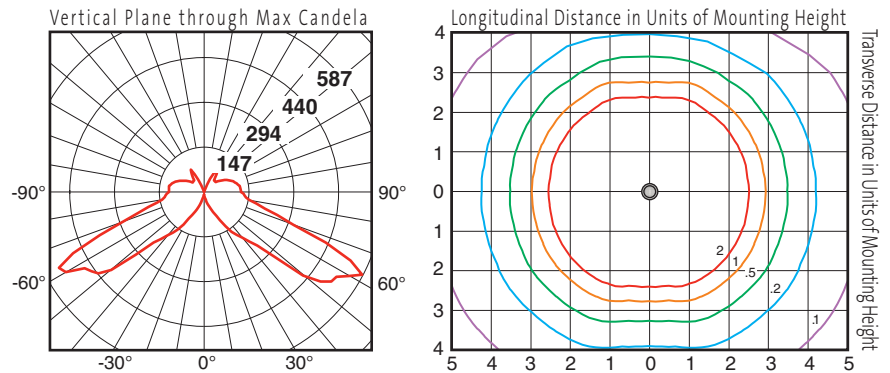
Photometry

Asymmetric MTR 135 Refractor / 39w MH

Catalog # SAB-MA-H039T6
Report # SX-4257

- Dual optic function combines new generation inner cylindrical MTR glass refractor with Fresnel type prisms for low glare and high efficiency.
- Maximum candela of 587 at 62.5° and -62.5° from vertical.
- IES classification = Type III Semi-Cutoff.

DOWNLOAD IES FILE:
http://www.selux.us/fileadmin/us/exterior/ies_file/SAB_IES.zip

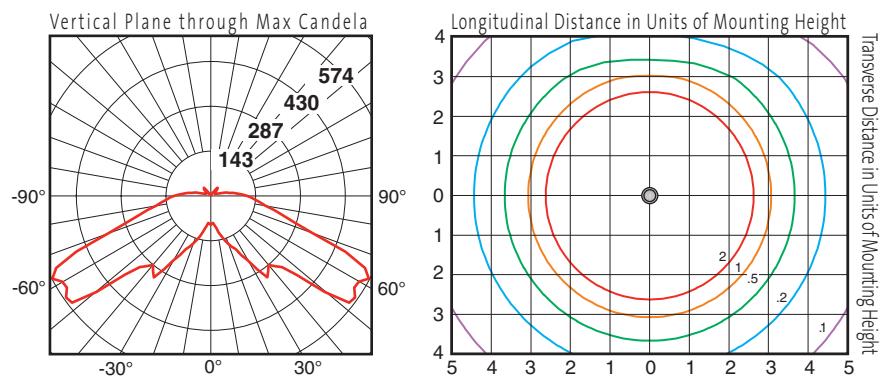


Symmetric MTR 135 Refractor / 39w MH

Catalog # SAB-MS-H039T6
Report # SX-4245

- New generation inner cylindrical MTR glass refractor with low glare and high efficiency.
- Maximum candela of 574 at 62.5° and -62.5° from vertical.
- IES classification = Type V Semi-Cutoff.

DOWNLOAD IES FILE:
http://www.selux.us/fileadmin/us/exterior/ies_file/SAB_IES.zip



Symmetric MTR 135 Refractor / 39w MH / House Side Shield

Catalog # SAB-MS-H039T6-HS

Please consult factory.

H.I.D. Lamp Prorate Table (Clear, G12 base)		
T6 Metal Halide		
Wattage	Factor	Initial Lumens
39	1.00	3400
70	1.94	6600

Conversion Chart	
Values based on 3' (.9m) mounting height	
Mounting Height	Multiply
2.0' (.6m)	1.50
2.5' (.8m)	1.20
3.0' (.9m)	1.00
3.5' (1.1m)	0.86
4.0' (1.2m)	0.75

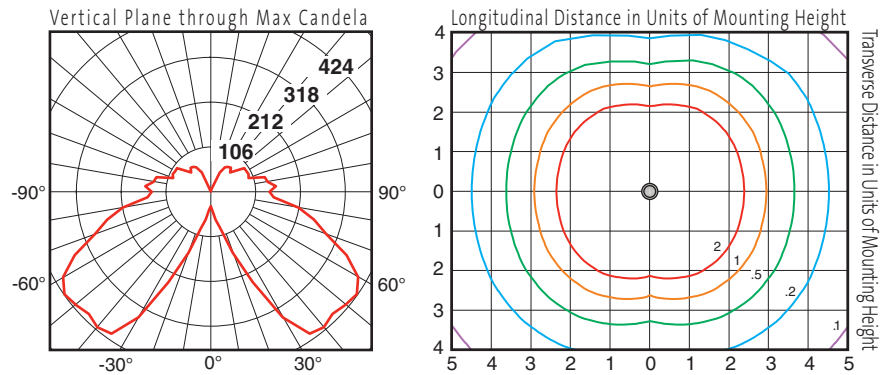
Photometry

Silver Louver / 70w MH

Catalog # SAB-SP-1-H70
Report # SX-8040

- Mirror finish with prismatic underside shields light source and controls glare.
- Resulting “dark light” effect offers superior visual comfort.
- Maximum candela of 424 at 55° and -55° from vertical.
- IES classification = Type V Semi-Cutoff.

DOWNLOAD IES FILE:
http://www.selux.us/fileadmin/us/exterior/ies_file/SAB_IES.zip

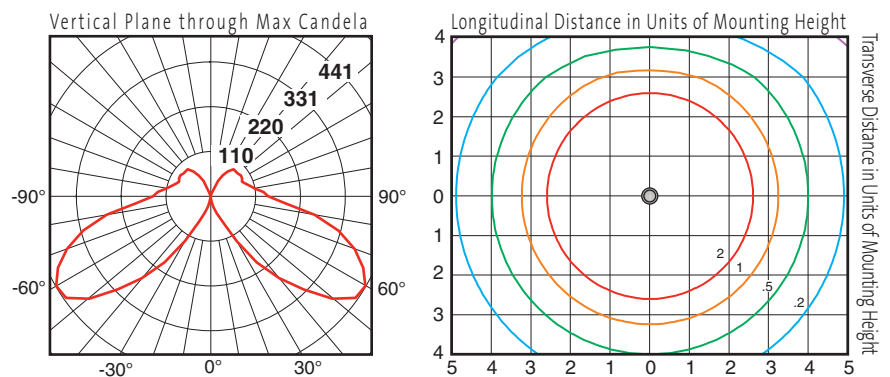


White Louver / 70w MH

Catalog # SAB-WP-1-H70
Report # SX-709

- A Selux variation of a classic louver design.
- Combines brightness control with a subtle luminance around the source.
- Maximum candela of 441 at 60° and -60° from vertical.
- IES classification = Type V Semi-Cutoff.

DOWNLOAD IES FILE:
http://www.selux.us/fileadmin/us/exterior/ies_file/SAB_IES.zip

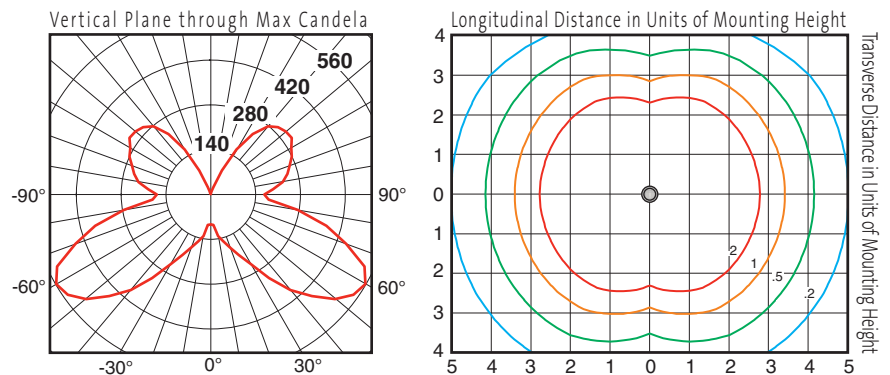


MTR 150 Refractor / 70w MH

Catalog # SAB-MR-1-H70
Report # SX-8041

- Innovative “multi-prisms for total reflection” incorporates light-bending characteristics of a prism.
- Directs light precisely with minimum intensity at critical viewing angles.
- Maximum candela of 560 at 60° and -60° from vertical
- IES classification = Type V Non-cutoff.

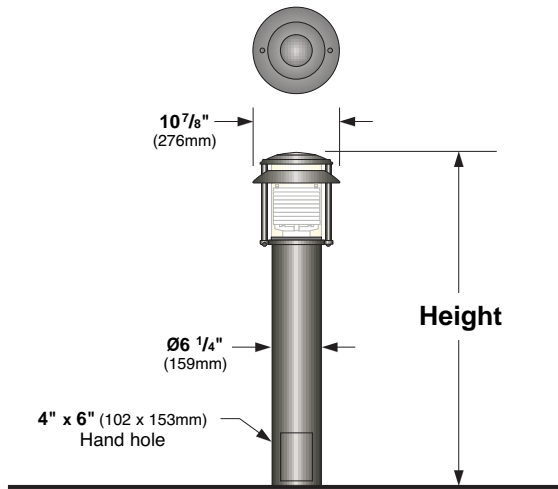
DOWNLOAD IES FILE:
http://www.selux.us/fileadmin/us/exterior/ies_file/SAB_IES.zip



Lamp Prorate Table								
High Pressure Sodium			Metal Halide			Fluorescent		
Wattage	Factor	Initial Lumens	Wattage	Factor	Initial Lumens	Wattage	Factor	Initial Lumens
50	0.70	3700	50	0.64	3400	32	0.45	2400
70	1.09	5800	70	1.00	5300	42	0.60	3200

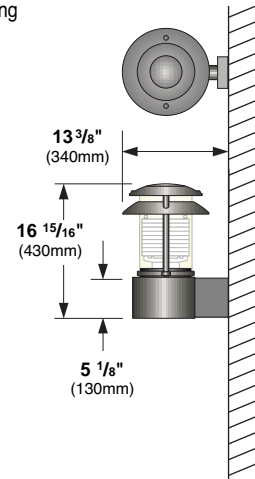
Conversion Chart	
Values based on 3' (.9m) mounting height	
Mounting Height	Multiply
2.0' (.6m)	1.50
2.5' (.8m)	1.20
3.0' (.9m)	1.00
3.5' (1.1m)	0.86
4.0' (1.2m)	0.75

Mounting



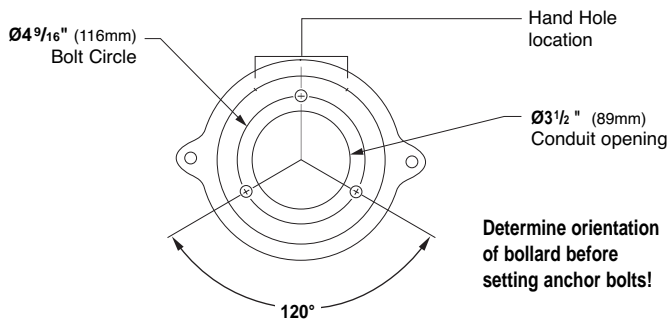
Wall Arm Mounting Detail

(Conduit and mounting hardware by others.)



Bolt Circle

Bollard provided with integral, welded base casting with 4 9/16" (116mm) diameter bolt circle. Anchor bolts are accessible via a 5" (127mm) x 6" (152mm) access door with vandal resistant hardware at the base of the extruded aluminum column. Bollard supplied with galvanized steel, 3/8" x 12" (10mm x 304.8mm) anchor bolts and template.



Ø2 3/8" (60mm) Bolt Circle

Die cast aluminum wall mount arm with die-cast aluminum canopy. Secured to wall with 1/4" (6mm) threaded fasteners by others.

Note: Adequate drainage must be provided in concrete foundation.

Suggested anchor bolt projection 1 - 1 1/2" (25 - 38mm). Stub conduit above concrete footing. Concrete footing to be designed and installed by others.

