

# Ritorno® Mini

# selux



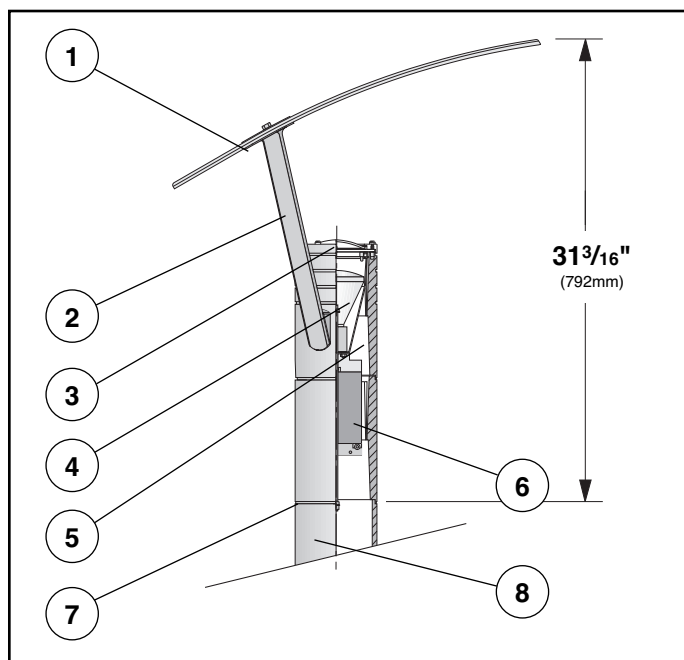
**Project:** \_\_\_\_\_

**Type:** \_\_\_\_\_ **Qty:** \_\_\_\_\_

**RMA** - - - - -  
**Series**   **Mounting**   **Height**   **Lamping**   **Lamp Color**   **Finish**   **Voltage**   **Options**

LAMPS SUPPLIED WITH FIXTURE EXCEPT FOR NOL OPTION.

Series	Mounting	Height <sup>1</sup>	Lamping	Lamp Color	Finish	Voltage	Options
<b>RMA</b> Ritorno® Mini Round Asymmetrical	<b>1</b> Single	<b>RMP10</b> 10' pole	<b>H039PAR</b> 39w	<b>NOL</b> No Lamp Supplied <b>830</b> 3000°K	<b>WH</b> White <b>BK</b> Black <b>BZ</b> Bronze <b>SV</b> Silver <b>SP</b> Specify Premium Color	<b>120</b> <b>208</b> <b>240</b> <b>277</b> <b>347</b>	<b>REC<sup>1</sup></b> GFCI Receptacle <b>FS<sup>2</sup></b> Single Fusing  Consult factory for other options
	<b>W</b> Wall Mount	<b>RMP12</b> 12' pole  or specify custom height (consult factory)					
		<sup>1</sup> Not available with Wall Mount	<sup>2</sup> Not available for 347v				



**1. Reflective Shade** - 26 1/16" x 24 1/8" (662mm x 613mm) minimum 3/16" (4.7mm) thick aluminum reflector shade painted white for maximum reflectivity. Supplied with drip groove around perimeter, to prevent rain marks on underside.

**2. Fixture Arms** - Two die cast aluminum arms, powder coated in silver finish, rigidly attach reflector shade to pole fitter.

**3. Lamp Cover** - Heat-tempered convex lens protects lamp and reflector assembly. Continuous molded silicone gasket creates

sealed optic chamber for weather proofing, dust and insect control. Door pivots open from lamp chamber for relamping.

**4. Lamp** - One 39W or 70W PAR 30 lamp supplied with fixture unless otherwise specified.

**5. Optic Chamber** - Die formed steel optic chamber houses 4KV pulse rated medium base socket and lamp.

**6. Ballast** - Electronic ballast factory wired to socket. Removable ballast bracket is secured to optic chamber for ease of maintenance. Consult factory for more detailed ballast information.

**7. Pole Fitter** - Die cast aluminum fitter secures fixture arms and reflective shade to pole. Tapered to continue lines from pole.

**8. Pole** - Pole to be aluminum and taper from 3 1/2" diameter at the bottom to 5 1/2" diameter at the top. Pole wall thickness to be minimum 0.188 thick, supplied with a 3" x 5" hand hole, with cast 356 aluminum tempered to a T6 condition reinforced frame, with integral ground lug connection and gasketed flush fitting door.

**9. Base Cover** - (not shown) Standard two-piece base cover is made from die-cast 356 alloy aluminum which is heat treated to produce a T6 temper, measuring 4 1/2" (115mm) height by 12 1/2" (316mm) diameter.

**Exterior Luminaire Finish** - Selux utilizes a high quality Polyester Powder Coating. All Selux luminaires and poles are finished in our Tiger Drylac certified facility and undergo a five stage intensive pretreatment process where product is thoroughly cleaned, phosphated and sealed. Selux powder coat products provide excellent salt and humidity resistance as well as ultra violet resistance for color retention. All products are tested in accordance with test specifications for coatings from ASTM and PCI.

Standard exterior colors are White (WH), Black (BK), Bronze (BZ), and Silver (SV). Selux premium colors (SP) are available, please specify from your Selux color selection guide. Hot Dip Galvanized finish (GV) on all steel parts also available.



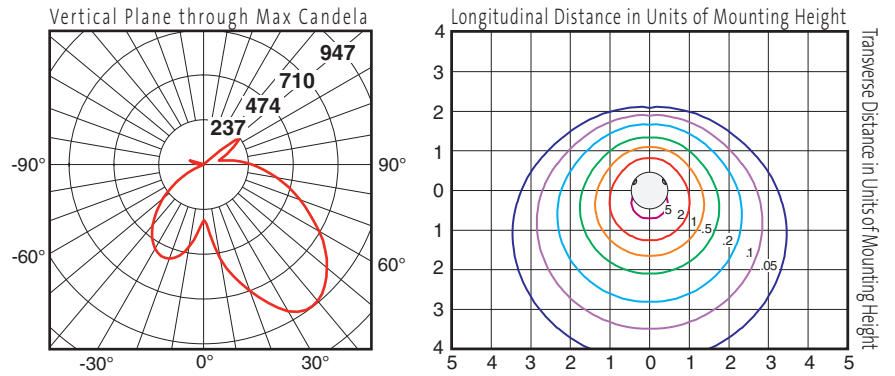
## Photometry

70w PAR

Catalog # RMA-1-H070PAR  
Report # ITL-16021

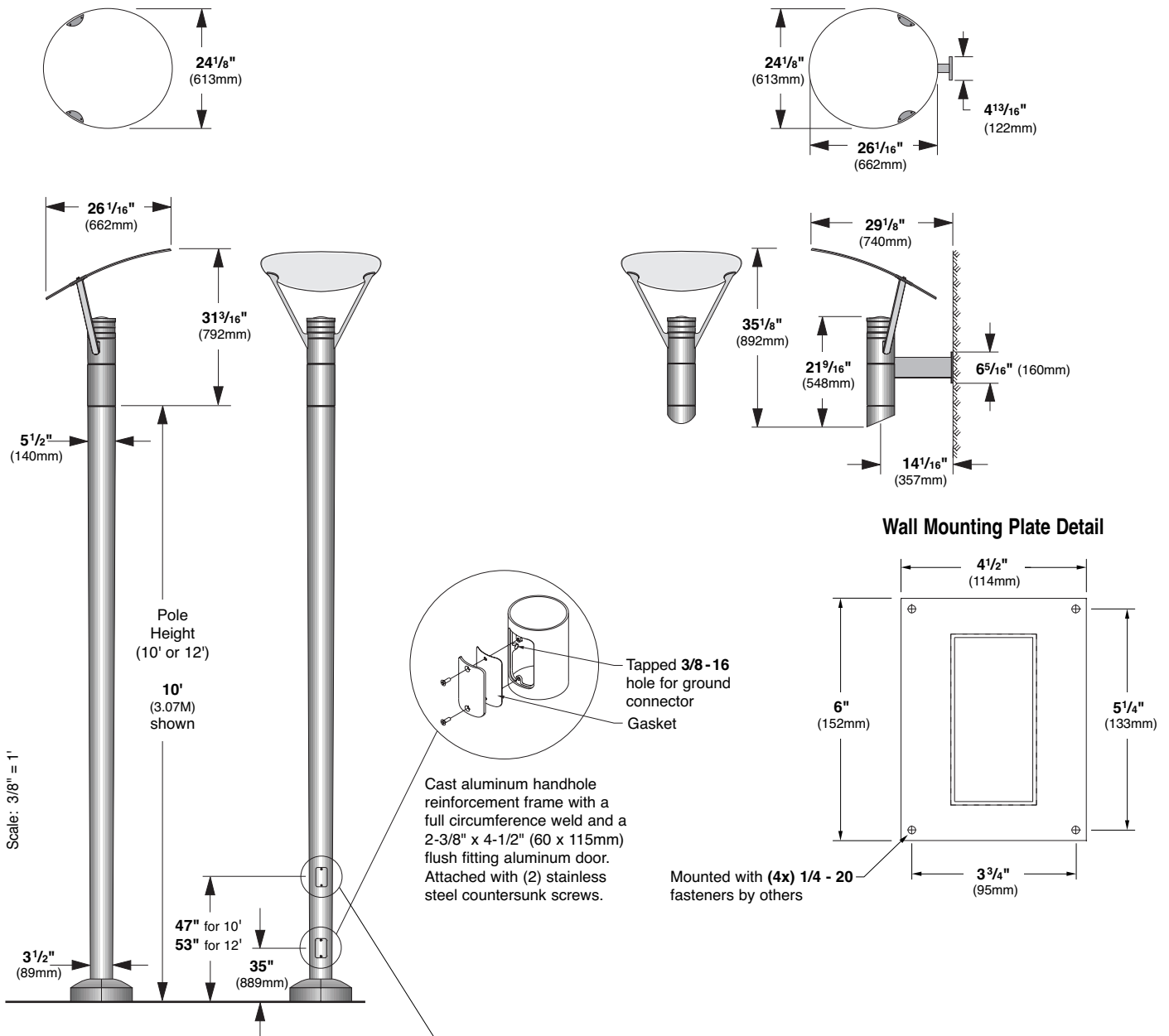
- Maximum candela of 947 at 37.5° from vertical.
- IES classification = Type IV Non-Cutoff.

DOWNLOAD IES FILE:  
[http://www.selux.us/fileadmin/us/exterior/ies\\_file/RMA\\_IES.zip](http://www.selux.us/fileadmin/us/exterior/ies_file/RMA_IES.zip)



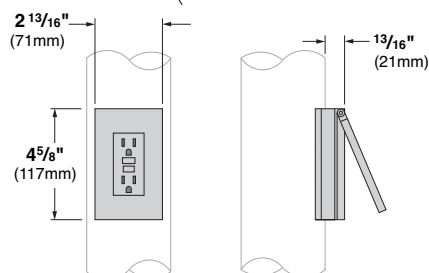
Lamp Prorate Table		
Par 30 Metal Halide		
Wattage	Factor	Initial Lumens
39	0.45	2200
70	1.00	4850

## Mounting



## Options

**GFCI Receptacle (REC) -** GFCI duplex receptacle with cast base bolted to pole and gasketed, provided with weather-proof, self-closing cover. Receptacle is intended only for portable tools or other portable equipment to be connected to outlet only when attended by operating personnel.



Pole Series		Height
RMP10	3.5" to 5.5" Reverse Tapered Aluminum Pole	10 10 ft.
RMP12	3.5" to 5.5" Reverse Tapered Aluminum Pole	12 12 ft.

Effective Projected Area of Single Luminaire = 2.2 ft<sup>2</sup> (0.20m<sup>2</sup>)  
 Weight of Luminaire = 50.0 lbs (22.8kg)

RMP10 pole and luminaire engineered to withstand 110mph wind (+1.3 gust) as per AASHTO standards. RMP12 pole and luminaire engineered to withstand 90mph wind (+1.3 gust) as per AASHTO standards. For higher wind loading, please consult factory.

All poles are constructed per AASHTO standards for structural supports for high-way signs, luminaires and traffic signals as published in 1975, amended and adopted in 1985 and 1994.

A consideration of field conditions such as (but not limited to) wind zone, height, vibration must be given by the designer/specifier for the appropriate application.

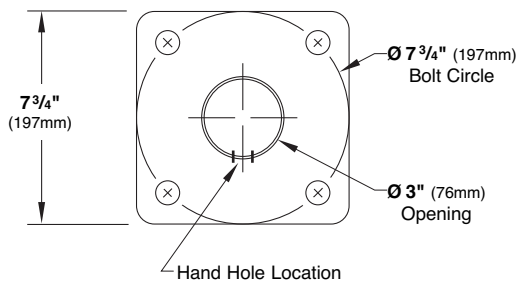
Performance of poles is dependent upon proper support/attachment of pole to adequate foundation design. Selux does not design or offer recommendations for foundations. EPA values assume that the bottom of the pole is at grade level.

Call Selux (1-800-SELUXCS) if there are any questions, or for any assistance in determining suitability with appropriate fixtures.

## Mounting Details

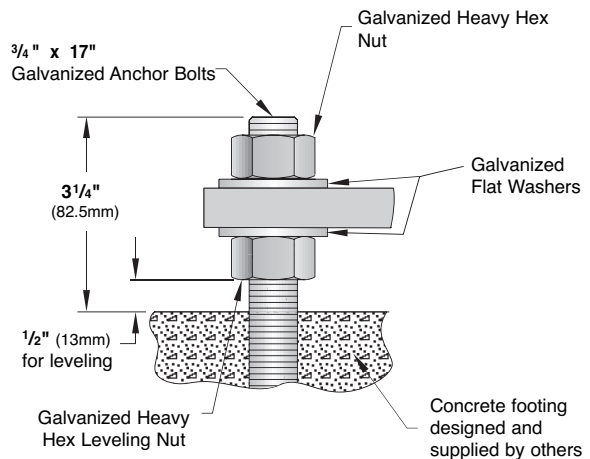
### Bolt Circle

Use caution when setting anchor bolts. Bolts must be vertically straight and centered on dimensions shown.



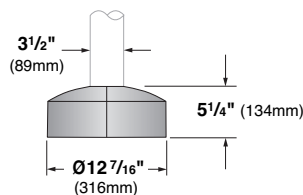
**Note:** Adequate drainage must be provided in concrete foundation.

### Anchor Bolt Detail



### BC5 Standard Base Cover

Die-cast aluminum, two-piece field installable base cover.



### Alternate Mounting Detail

