

# Quadro HO

# selux



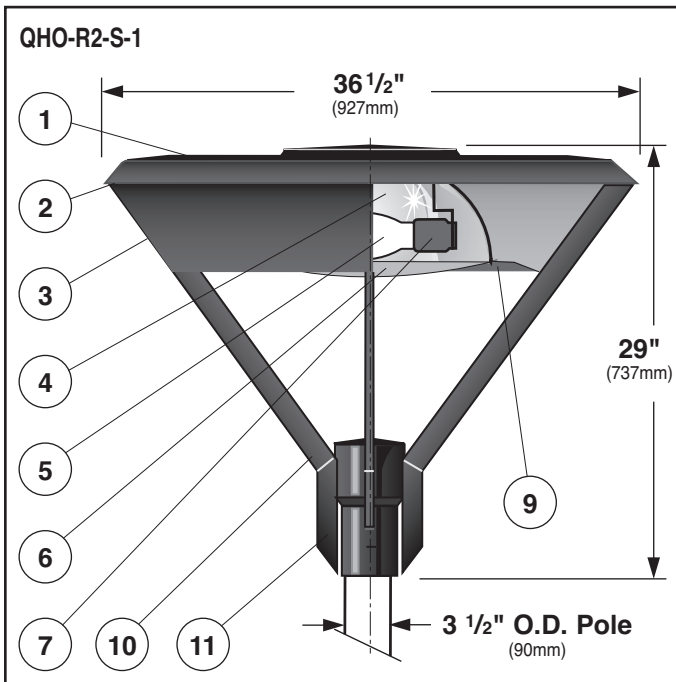
**Project:** \_\_\_\_\_

**Type:** \_\_\_\_\_ **Qty:** \_\_\_\_\_

**QHO** - - - **1** - - -  
 Series Reflector Lens Mounting Lamping Finish Voltage  
 Options Pole Series Height Finish Options

Series	Reflector	Lens	Mounting	Lamping	Finish	Voltage	Options
QHO Quadro HO	R2 Type II Aluminum reflector	L <sup>1</sup> Flat Glass S Sagged Glass	1 Single	<u>Metal Halide</u> H100 100w H150 150w H250 250w H400 400w	<u>HPS</u> S100 100w S150 <sup>2</sup> 150w S250 250w S400 <sup>3</sup> 400w	WH White 208 BK Black 240 BZ Bronze 277 SV Silver 347 SP Specify Premium Color	HS House Side Shield FS <sup>3</sup> Single Fusing DS <sup>1</sup> Dark Sky Option PCT Photocell Tenon
	R5 Type V Aluminum reflector						

<sup>1</sup> IDA-Approved Dark Sky Friendly optics (150w max)   
 <sup>2</sup> Only for 55v lamp   
 <sup>3</sup> Not available with 347V



**1. Fixture Cover** - Formed aluminum cover removes by loosening four stainless steel screws for easy access to ballast chamber.

**2. Gasketing** - Continuous molded gasket provides weather-proofing, dust and insect control at all fixture connections.

**3. Housing** - Formed aluminum, houses reflector, socket, and high power factor core and coil ballast on tool-less exchangeable ballast tray.

**4. Reflector** - Precision formed, completely sealed aluminum reflector system with a Type II (horizontal lamp position) or Type V distribu-

tion (vertical lamp position unless otherwise specified).

**5. Lamp** - Choose between one ED17 medium base metal halide or high pressure sodium lamp up to 150W; one clear, mogul base ED28 250W metal halide, one mogul base ED-28 400W metal halide, one clear, mogul base BT-28 high pressure sodium in 250W or 400W. R2 reflector only available with horizontal lamp position. R5 reflector only available with base-up vertical lamp position. 250W and 400W HPS lamps available in horizontal position only. Lamps provided by others.

**6. Lens** - Choice of Flat or Sagged (shown) clear glass lenses. Fixture is IDA-Approved™ Dark Sky Friendly with flat glass lens.

**7. Socket** - 4KV Pulse rated porcelain medium base socket for lamps up to 150w or mogul base for 250w and 400w lamps. Socket is pre-wired to ballast at factory.

**8. Ballast** - (Not shown) A high efficiency, pulse start, core and coil ballast regulates voltage for H.I.D. lamp. Consult factory for detailed ballast information.

**9. Access Door** - Formed aluminum door, with molded tempered glass lens, opens for

easy relamping.

**10. Fixture Frame** - Four cast aluminum arms attach to pole fitter with recessed stainless steel Allen head screws.

**11. Pole Fitter** - Self-leveling, die-cast aluminum, fitter base secured to pole with two, stainless steel, Allen head set screws. Fitter for 31/2" (90mm) O.D. poles.

**Exterior Luminaire Finish** - Selux utilizes a high quality Polyester Powder Coating. All Selux luminaires and poles are finished in our Tiger Drylac certified facility and undergo a five stage intensive pretreatment process where product is thoroughly cleaned, phosphated and sealed. Selux powder coated products provide excellent salt and humidity resistance as well as ultra violet resistance for color retention. All products are tested in accordance with test specifications for coatings from ASTM and PCI.

Standard exterior colors are White (WH), Black (BK), Bronze (BZ), and Silver (SV). Selux premium colors (SP) are available, please specify from your Selux color selection guide.

Selux Corp. © 2017  
 TEL (845) 834-1400  
 FAX (845) 834-1401  
 www.selux.us  
 QHO-0917-01 (ss-v5.7)

**NRTL Listed (i.e. UL, CSA)**

Union Made Affiliated  
 with IBEW Local 363



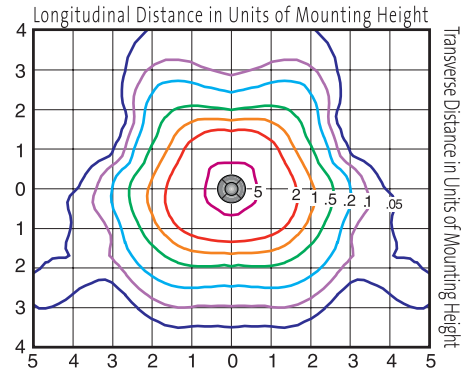
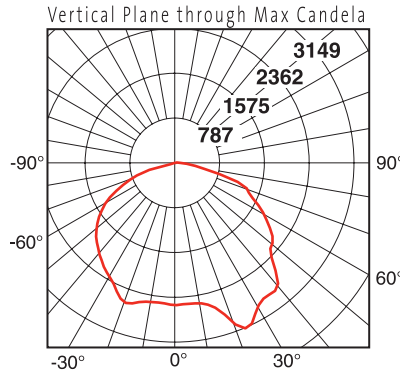
In a continuing effort to offer the best product possible, we reserve the right to change, without notice, specifications or materials that in our opinion will not alter the function of the product. Specification sheets found at www.selux.us are the most recent versions and supercede all other printed or electronic versions.

## Photometry

### Flat Glass Lens / R2 Reflector / 150w MH

Catalog # QHO-R2-L-1-H150-DS  
Report # LSI-13535

- Precision formed aluminum reflector with specular "kick"reflectors to precisely control distribution.
- Ideal for applications demanding max. spacing.
- Maximum candela of 3149 at 22.5° from vertical
- IES classification - Type II Full Cutoff.
- IDA-Approved™ dark sky friendly.

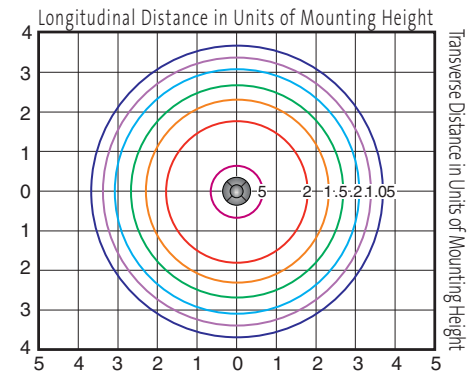
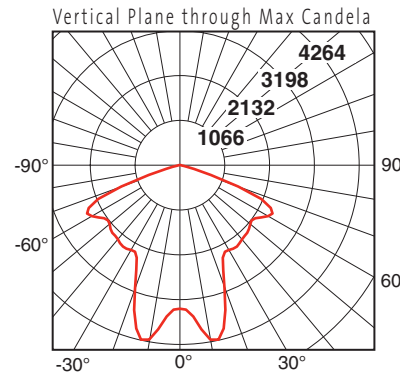


DOWNLOAD IES FILE:  
[http://www.selux.us/fileadmin/us/exterior/ies\\_file/QHO\\_IES.zip](http://www.selux.us/fileadmin/us/exterior/ies_file/QHO_IES.zip)

### Flat Glass Lens / R5 Reflector / 150w MH

Catalog # QHO-R5-L-1-H150-DS  
Report # LSI-13593

- Precision formed aluminum reflector with vertical, base-up lamp.
- Ideal for applications demanding a uniform symmetric light distribution.
- Maximum candela of 4264 at 12.5° and -12.5° from vertical.
- IES classification - Type V Full Cutoff.
- IDA-Approved™ dark sky friendly.



DOWNLOAD IES FILE:  
[http://www.selux.us/fileadmin/us/exterior/ies\\_file/QHO\\_IES.zip](http://www.selux.us/fileadmin/us/exterior/ies_file/QHO_IES.zip)

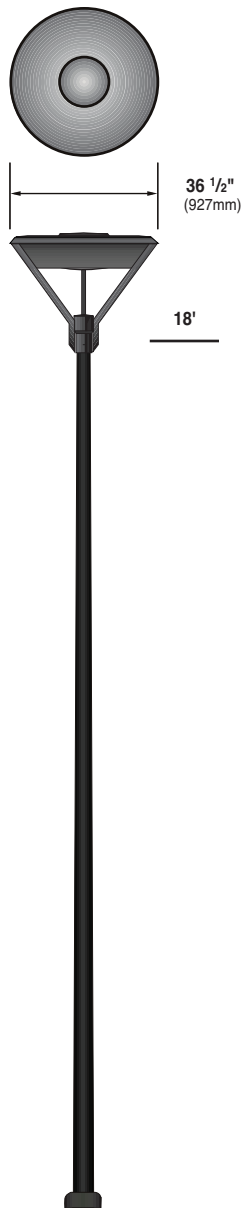
HID Lamp Prorate Table					
High Pressure Sodium			Metal Halide		
Wattage	Factor	Initial Lumens	Wattage	Factor	Initial Lumens
50	0.29	3800	50	0.24	3200
70	0.45	5950	70	0.40	5300
100	0.66	8800	100	0.64	8500
150	1.02	13500	150	1.00	13300

Conversion Chart	
Values based on 12' mounting height.	
Mounting Height	Multiply
8'	1.22
10'	1.10
12'	1.00
14'	0.93
16'	0.87

## Mounting

### Single

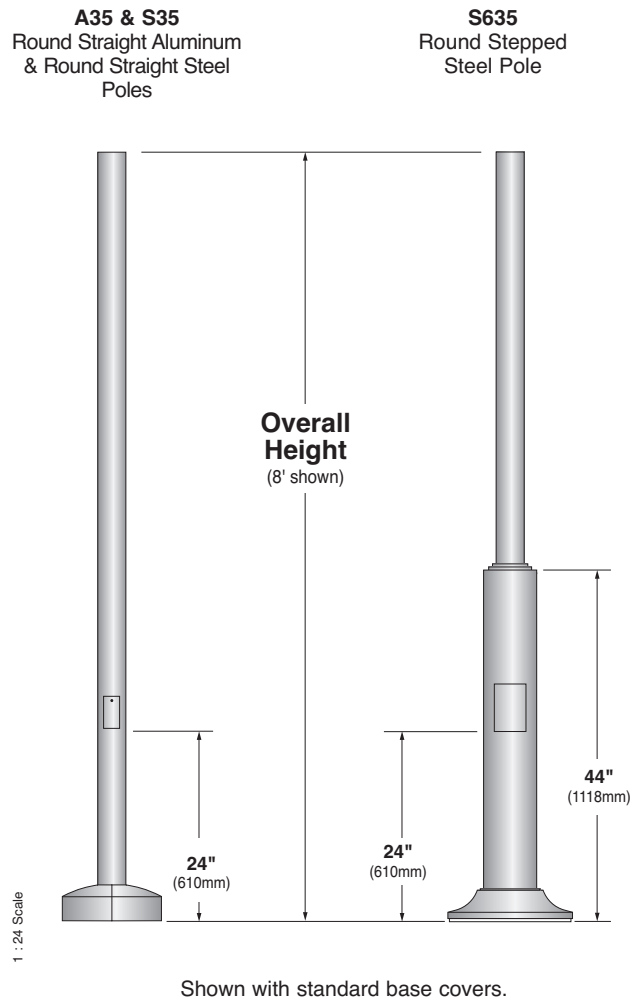
Die-cast aluminum fitter base secured to pole with two, stainless steel, Allen head set screws. (Consult factory for clusters.)



Scale = 1/4" ~ 1'

## Pole Information

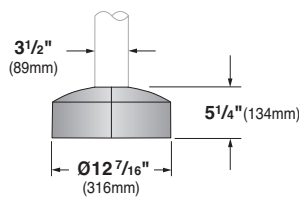
Refer to A35, S635, or S35 Pole specification sheets for construction details, anchorage information and additional options.



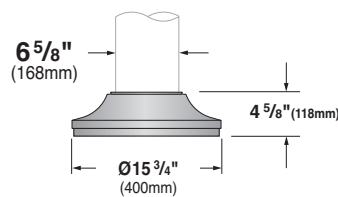
## Base Cover Information

Refer to A35, S635, or S35 Pole specification sheets for construction details, anchorage information and additional options.

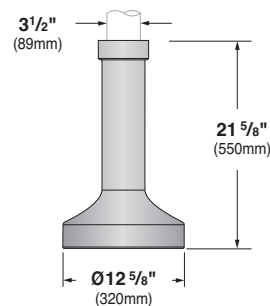
**Straight Poles (A35 & S35)**  
**BC5 Standard Base Cover**  
Two-piece cast aluminum



**Stepped Steel Pole (S635)**  
**BC6 Standard Base Cover**  
One-piece cast aluminum



**BC1 Optional Base Cover**  
**(A35 & S35)** One-piece cast  
aluminum



## Pole Data Chart

Pole Series	Bolt Circle	EPA Information (ft <sup>2</sup> )					Height	Finish	Options
		70 mph	80 mph	90 mph	100 mph	110 mph			
<b>S635</b> 3 1/2" Diameter Stepped Steel Pole	Ø9"	57.6	44.3	34.6	27.5	22.8	8 8 ft.	<b>WH</b> White	<b>BC1</b> Decorative Cast Aluminum Base Cover (for A35 & S35 poles only)
<b>A35</b> 3 1/2" Diameter Straight Aluminum Pole	Ø7 3/4"	16.1	12.2	9.4	7.3	5.9		<b>BK</b> Black	
<b>S35</b> 3 1/2" Diameter Straight Steel Pole	Ø7 3/4"	14.8	11.3	8.6	6.7	5.4			
<b>S635</b> 3 1/2" Diameter Stepped Steel Pole	Ø9"	45.6	35.0	27.3	21.6	17.8	10 10 ft.	<b>BZ</b> Bronze	<b>REC</b> GFCI Receptacle with weather-proof cover <sup>1</sup>
<b>A35</b> 3 1/2" Diameter Straight Aluminum Pole	Ø7 3/4"	12.4	9.3	7.1	5.4	4.3		<b>SV</b> Silver	
<b>S35</b> 3 1/2" Diameter Straight Steel Pole	Ø7 3/4"	11.4	8.6	6.5	4.9	3.9			
<b>S635</b> 3 1/2" Diameter Stepped Steel Pole	Ø9"	37.6	28.7	22.3	17.5	14.4	12 12 ft.	<b>SP</b> Specify Premium Color	For PCT option, see p.1
<b>A35</b> 3 1/2" Diameter Straight Aluminum Pole	Ø7 3/4"	9.9	7.3	5.4	4.0	3.1			
<b>S35</b> 3 1/2" Diameter Straight Steel Pole	Ø7 3/4"	9.1	6.7	4.9	3.6	2.8			
<b>S635</b> 3 1/2" Diameter Stepped Steel Pole	Ø9"	31.7	24.2	18.6	14.6	11.9	14 14 ft.		<sup>1</sup> Weatherproof cover intended for portable tools or other portable equipment connected to the outlet only when attended. For other requirements please consult factory.
<b>A35</b> 3 1/2" Diameter Straight Aluminum Pole	Ø7 3/4"	8.0	5.8	4.2	3.0	2.2			
<b>S35</b> 3 1/2" Diameter Straight Steel Pole	Ø7 3/4"	7.3	5.3	3.8	2.7	1.9			
<b>S635</b> 3 1/2" Diameter Stepped Steel Pole	Ø9"	21.7	15.8	12.3	9.6	7.6	16 16 ft.		
<b>A35</b> 3 1/2" Diameter Straight Aluminum Pole	Ø7 3/4"	4.9	3.2	2.2	1.4	0.8			
<b>S35</b> 3 1/2" Diameter Straight Steel Pole	Ø7 3/4"	4.4	2.8	1.9	1.2	0.6			

<sup>1</sup>Other pole configurations available, consult factory.

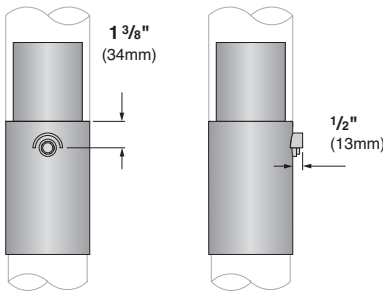
<sup>2</sup>EPA Calculations allow for 1.3 Gust Factor

Effective Projected Area of Single Luminaire = 0.92 ft<sup>2</sup> (0.09m<sup>2</sup>) / Weight of Luminaire = 35.0 lbs (15.9kg)

Effective Projected Area of Double Luminaire = 2.37 ft<sup>2</sup> (0.22m<sup>2</sup>) / Weight of Double Luminaire (includes arms) = 94.0 lbs (42.6kg)

## Optional Accessories

**Photo Cell Tenon (PCT)** - Button type photocell mounted in cast aluminum pole top tenon. Tenon has integral cast visor to prevent false start/stop cycle and can be oriented for optimum performance. Refer to fixture spec sheet to determine if this option is applicable.



**GFCI Receptacle (REC)** - GFCI duplex receptacle with cast base bolted to pole and gasketed, provided with weather-proof, self-closing cover; located 36" (915mm) from base of pole, inline with handhole. Receptacle is intended only for portable tools or other portable equipment to be connected to outlet only when attended by operating personnel.

