

Quadro H2

selux



Project: _____

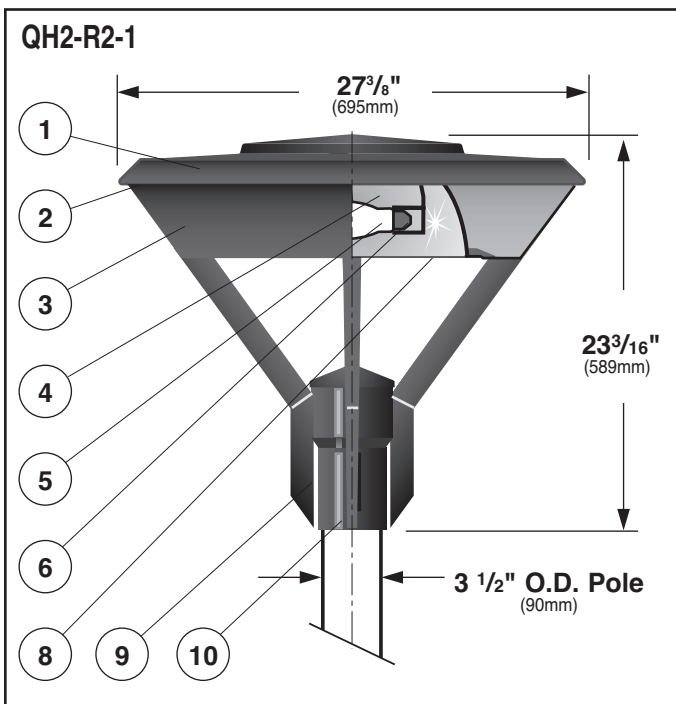
Type: _____ **Qty:** _____

QH2 - - - - -
Series Reflector Mounting Lamping Finish Voltage Option

Pole Series Height Finish Options

Series	Reflector	Mounting	Lamping	Finish	Voltage	Options
QH2 Quadro H2	R2 Type II Aluminum reflector	1 Single	Metal Halide	WH White	120	HS ³ House Side Shield
	R3 Type III Aluminum reflector	2 Double	H050 ¹ 50w	BK Black	208	QR Quartz Restrike (40w Max)
	R5 Type V Aluminum reflector	W Wall Mount	H070 70w H100 100w H150 150w	BZ Bronze SV Silver SP Specify Premium Color	240 277 347	FS ¹ Single Fusing PCT Photocell Tenon

¹ Not available with 347v ² Only for 55v lamp ³ Only available with R2 reflector



1. Fixture Cover - Formed aluminum cover hinges open for easy access to lamp and ballast chambers.

2. Gasketing - Continuous molded gasket provides weatherproofing, dust and insect control at all fixture connections.

3. Housing - Formed aluminum, houses reflector, socket, and high power factor core and core-and-coil ballast.

4. Reflector - Precision formed, aluminum reflector with a Type II or Type V distribution. IDA-Approved™ dark sky friendly.

5. Lamp - One clear, medium base, ED-17 metal halide or high pressure sodium up to 150w. Horizontal lamp for R2 and R3 reflectors; base-up vertical lamp for R5 reflector. Lamp provided by others.

6. Socket - 4KV Pulse rated porcelain medium base socket for lamps up to 150w. Socket is pre-wired to ballast at factory.

7. Ballast - (Not shown) A high efficiency, pulse start, core and coil ballast regulates voltage for H.I.D. lamp. Consult factory for detailed ballast information.

8. Lens - Tempered glass lens with continuous silicone gasket to fixture housing.

9. Fixture Frame - Four cast aluminum arms attach to pole fitter with recessed stainless steel Allen head screws

10. Pole Fitter - Cast aluminum fitter secures to pole with two stainless steel Allen head set screws. For 3 1/2" (90mm) O.D. pole.

Exterior Luminaire Finish - Selux utilizes a high quality Polyester Powder Coating. All Selux luminaires and poles are finished in our Tiger Drylac certified facility and undergo a five stage intensive pretreatment process where product is thoroughly cleaned, phosphated and sealed. Selux powder coated products provide excellent salt and humidity resistance as well as ultra violet resistance for color retention. All products are tested in accordance with test specifications for coatings from ASTM and PCI.

Standard exterior colors are White (WH), Black (BK), Bronze (BZ), and Silver (SV). Selux premium colors (SP) are available, please specify from your Selux color selection guide.



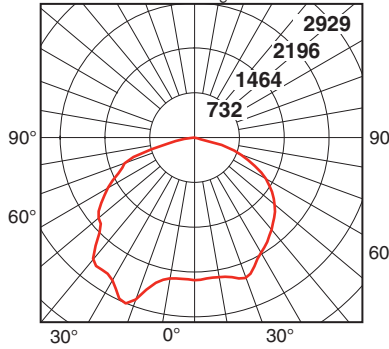
Photometry

Clear Lens / R2 Reflector / 150w MH

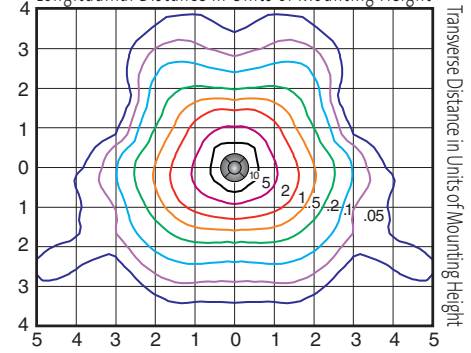
Catalog # QH2-R2-1-H150
Report # LSI-13535

- Precision formed aluminum reflector with specular “kick” reflectors to precisely control distribution.
- Ideal for applications demanding max. spacing.
- Maximum candela of 2929 at -22.5° from vertical
- IES classification - Type II Full Cutoff.
- IDA-Approved™ dark sky friendly.

Vertical Plane through Max Candela



Longitudinal Distance in Units of Mounting Height



DOWNLOAD IES FILE:

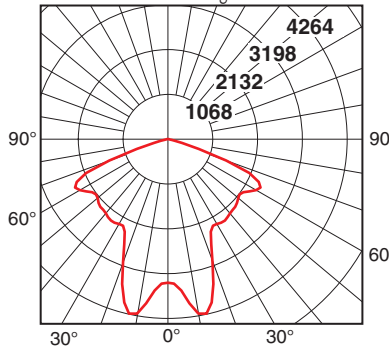
http://www.selux.us/filename/us/exterior/ies_file/QH2_IES.zip

Clear Lens / R5 Reflector / 150w MH

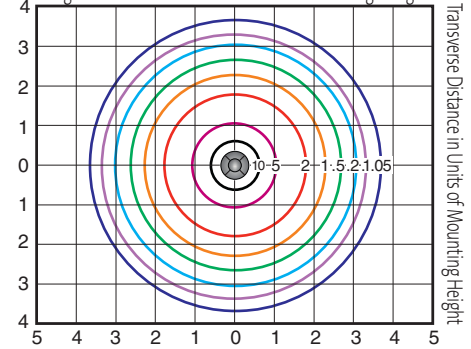
Catalog # QH2-R5-1-H150
Report # LSI-13593

- Precision formed aluminum reflector with vertical, base-up lamp.
- Ideal for applications demanding a uniform symmetric light distribution.
- Maximum candela of 4264 at 12.5° and -12.5° from vertical.
- IES classification - Type V Full Cutoff.
- IDA-Approved™ dark sky friendly.

Vertical Plane through Max Candela



Longitudinal Distance in Units of Mounting Height



DOWNLOAD IES FILE:

http://www.selux.us/filename/us/exterior/ies_file/QH2_IES.zip

HID Lamp Prorate Table					
High Pressure Sodium			Metal Halide		
Wattage	Factor	Initial Lumens	Wattage	Factor	Initial Lumens
50	0.29	3800	50	0.24	3200
70	0.45	5950	70	0.40	5300
100	0.66	8800	100	0.64	8500
150	1.02	13500	150	1.00	14000

Conversion Chart	
Values based on 12' mounting height.	
Mounting Height	Multiply
8'	1.22
10'	1.10
12'	1.00
14'	0.93
16'	0.87

Quadro H2

selux

Mounting

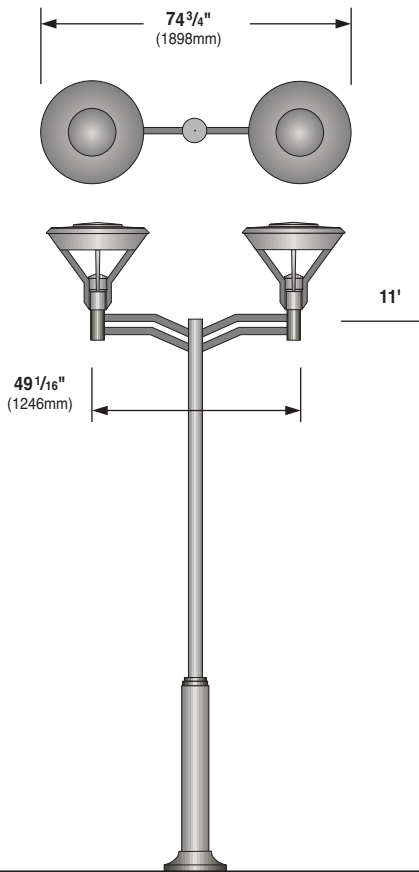
Single

Die-cast aluminum fitter base secured to pole with two stainless steel, Allen head set screws.



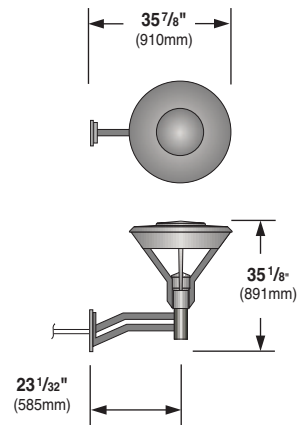
Double

Double luminaire mounting arm secured to pole with four stainless steel, Allen head set screws. Outer slip fitter for 3 1/2" tenon.



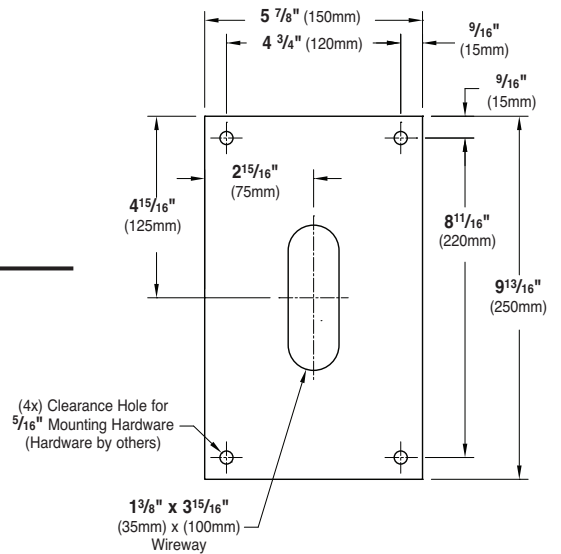
Wall

Double wall mount arm secured to wall with 1/4" diameter threaded fasteners (by others).



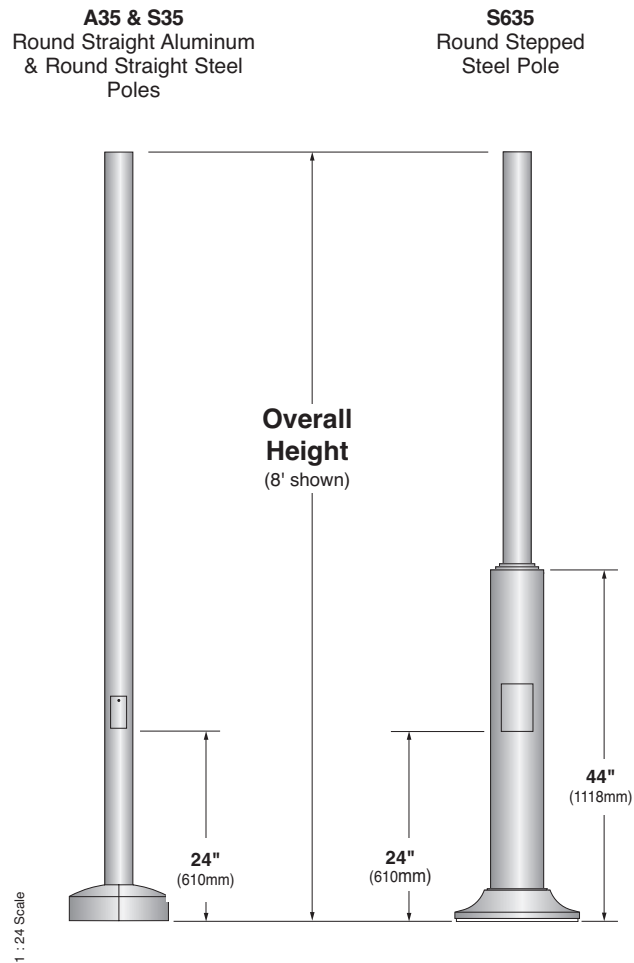
Wall Arm Mounting Detail

(Conduit and mounting hardware by others.)



Pole Information

Refer to A35, S635, or S35 Pole specification sheets for construction details, anchorage information and additional options.

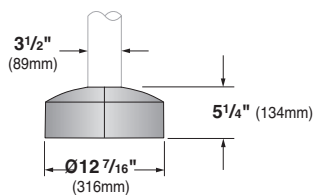


Shown with standard base covers.

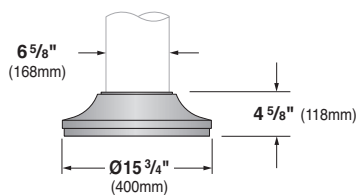
Base Cover Information

Refer to A35, S635, or S35 Pole specification sheets for construction details, anchorage information and additional options.

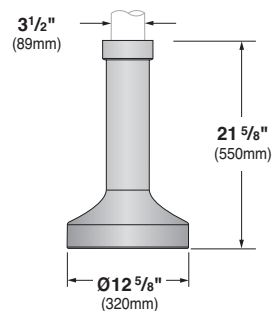
Straight Poles (A35 & S35)
BC5 Standard Base Cover
Two-piece cast aluminum



Stepped Steel Pole (S635)
BC6 Standard Base Cover
One-piece cast aluminum



BC1 Optional Base Cover
(A35 & S35) One-piece cast aluminum



Pole Data Chart

Pole Series	Bolt Circle	EPA Information (ft ²)					Height	Finish	Options	
		70 mph	80 mph	90 mph	100 mph	110 mph				
S635 3 1/2" Diameter Stepped Steel Pole	Ø9"	57.6	44.3	34.6	27.5	22.8	8 8 ft.	WH White	BC1 Decorative Cast Aluminum Base Cover (for A35 & S35 poles only)	
A35 3 1/2" Diameter Straight Aluminum Pole	Ø7 3/4"	16.1	12.2	9.4	7.3	5.9		BK Black		
S35 3 1/2" Diameter Straight Steel Pole	Ø7 3/4"	14.8	11.3	8.6	6.7	5.4				
S635 3 1/2" Diameter Stepped Steel Pole	Ø9"	45.6	35.0	27.3	21.6	17.8	10 10 ft.	BZ Bronze	REC GFCI Receptacle with weather-proof cover ¹	
A35 3 1/2" Diameter Straight Aluminum Pole	Ø7 3/4"	12.4	9.3	7.1	5.4	4.3		SV Silver		
S35 3 1/2" Diameter Straight Steel Pole	Ø7 3/4"	11.4	8.6	6.5	4.9	3.9				
S635 3 1/2" Diameter Stepped Steel Pole	Ø9"	37.6	28.7	22.3	17.5	14.4	12 12 ft.	SP Specify Premium Color	For PCT option, see p.1	
A35 3 1/2" Diameter Straight Aluminum Pole	Ø7 3/4"	9.9	7.3	5.4	4.0	3.1				
S35 3 1/2" Diameter Straight Steel Pole	Ø7 3/4"	9.1	6.7	4.9	3.6	2.8				
S635 3 1/2" Diameter Stepped Steel Pole	Ø9"	31.7	24.2	18.6	14.6	11.9	14 14 ft.		¹ Weatherproof cover intended for portable tools or other portable equipment connected to the outlet only when attended. For other requirements please consult factory.	
A35 3 1/2" Diameter Straight Aluminum Pole	Ø7 3/4"	8.0	5.8	4.2	3.0	2.2				
S35 3 1/2" Diameter Straight Steel Pole	Ø7 3/4"	7.3	5.3	3.8	2.7	1.9				
S635 3 1/2" Diameter Stepped Steel Pole	Ø9"	21.7	15.8	12.3	9.6	7.6	16 16 ft.			
A35 3 1/2" Diameter Straight Aluminum Pole	Ø7 3/4"	4.9	3.2	2.2	1.4	0.8				
S35 3 1/2" Diameter Straight Steel Pole	Ø7 3/4"	4.4	2.8	1.9	1.2	0.6				

¹Other pole configurations available, consult factory.

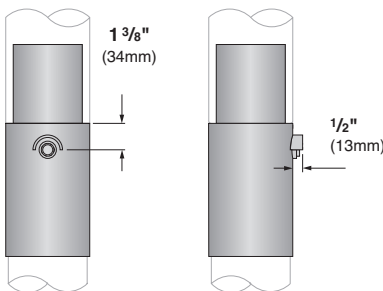
²EPA Calculations allow for 1.3 Gust Factor

Effective Projected Area of Single Luminaire = 0.92 ft² (0.09m²) / Weight of Luminaire = 35.0 lbs (15.9kg)

Effective Projected Area of Double Luminaire = 2.37 ft² (0.22m²) / Weight of Double Luminaire (includes arms) = 94.0 lbs (42.6kg)

Optional Accessories

Photo Cell Tenon (PCT) - Button type photocell mounted in cast aluminum pole top tenon. Tenon has integral cast visor to prevent false start/stop cycle and can be oriented for optimum performance. Refer to fixture spec sheet to determine if this option is applicable.



GFCI Receptacle (REC) - GFCI duplex receptacle with cast base bolted to pole and gasketed, provided with weather-proof, self-closing cover; located 36" (915mm) from base of pole, inline with handhole. Receptacle is intended only for portable tools or other portable equipment to be connected to outlet only when attended by operating personnel.

