

Quadrolisk

selux



Project: _____

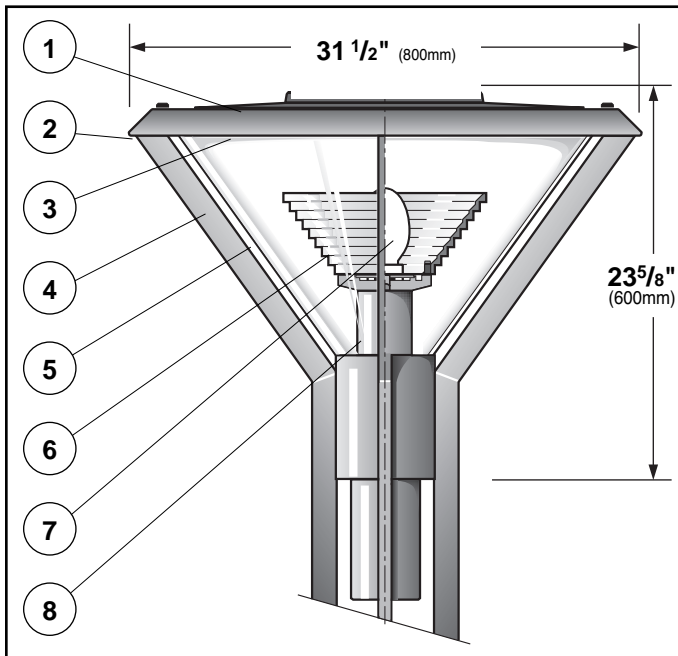
Type: _____ **Qty:** _____

QDL - - - - -
 Series Optics Height Lamping Finish Voltage

Options

Series	Optics	Height	Lamping			Finish	Voltage	Options
QDL Quadrolisk	MA Type III MTR 135 Refractor	12 12 feet	<u>T6 Metal Halide*</u>			WH White	120	HS ⁶ House Side Shield (180°) FS ³ Single Fusing PC Photocell REC GFCI Receptacle BC9 Optional Base Cover
	MS Type V MTR 135 Refractor	14 14 feet	<u>Metal Halide</u>			BK Black	208	
	SP Type V Silver Louver		H039T6 ¹ 39wT6	H050 ³ 50w	S050 ³ 50w	BZ Bronze	240	
	WP Type V White Louver		H070T6 ² 70wT6	H070 70w	S070 70w	SV Silver	277	
	MR Type V MTR 150 Refractor		H150T6 ² 150wT6	H100 100w	S100 100w	SP Specify Premium Color	347	
	M3 Type IV MTR 180 Refractor		(T6 only available with MA and MS refractors)	H150 ⁴ 150w	S150 ^{4,5} 150w			
	M5 Type V MTR 180 Refractor							
	M5 Type V MTR 180 Refractor							
MC Type V MTR Cone Refractor								

¹Only available in 120v and 277v ²Only for Osram or Philips lamps ³Not available with 347v ⁴Not available with MR nor MC ⁵Only for 55v lamp ⁶Not available with MA, MC, nor M3



1. Fixture Cover - Formed aluminum cover with white painted interior for maximum reflectivity. Removes by loosening four captive stainless steel screws for easy access to lamp chamber.

2. Gasketing - Continuous molded neoprene gasket provides weatherproofing, dust, and insect control for all fixture connections.

3. Frame Ring - Formed aluminum ring with fixture cover screw retaining hardware. Ring attaches to fixture frame arms.

4. Fixture Frame/Pole - Four formed steel arms with round steel connecting rings form lattice style assembly.

5. Globe - Vacuum-formed, one piece clear U.V. stabilized polycarbonate.

6. Optics - Select Type III or Type V MTR 135 refractor; high pressure die-cast aluminum Type V silver or white louver; or Type IV or Type V MTR Refractor. Formed aluminum House-Side Shield available for all Type V Refractors except MC. Clip-on prisms create Type III distribution for MA optics.

7. Lamp - Select one coated, base down, medium base ED-17 metal halide, high pressure sodium, or one G12 base T6 metal halide, up to 150w.

8. Electrobloc - Pulse rated porcelain, medium base socket is mounted to die-cast aluminum

socket cup for maximum heat dissipation and is pre-wired to core & coil ballast. Socket cup attaches to electroblock with two stainless steel screws and is easily removable for ballast service. Consult factory for more detailed ballast information.

Exterior Luminaire Finish - Selux utilizes a high quality Polyester Powder Coating. All Selux luminaires and poles are finished in our Tiger Drylac certified facility and undergo a five stage intensive pretreatment process where product is thoroughly cleaned, phosphated and sealed. Selux powder coated products provide excellent salt and humidity resistance as well as ultra violet resistance for color retention. All products are tested in accordance with test specifications for coatings from ASTM and PCI.

Standard exterior colors are White (WH), Black (BK), Bronze (BZ), and Silver (SV). Selux premium colors (SP) are available, please specify from your Selux color selection guide. Hot Dip Galvanized finish (GV) on all steel parts also available.



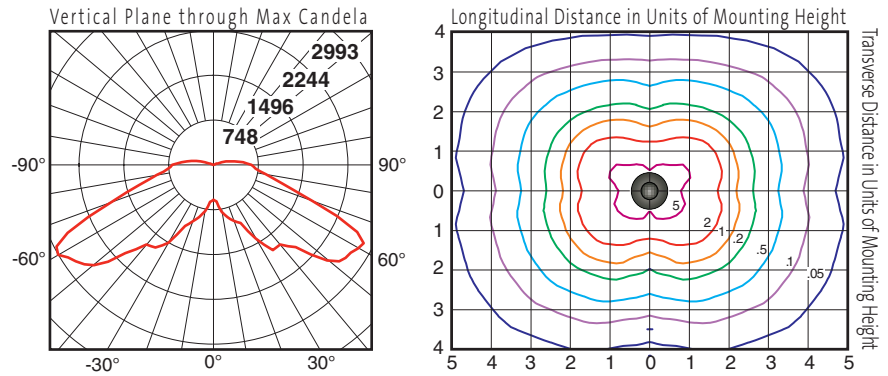
Photometry

MTR 135 Refractor / 150w MH T6

Catalog # QDL-MA-12-H150T6
Report # SX-762AB4

- Dual optic function combines inner cylindrical lens with Fresnel type prisms.
- New high efficiency MTR optics with low glare and high efficiency.
- Maximum candela of 2993 at -60° from vertical.
- IES classification = Type III Semi-Cutoff.

DOWNLOAD IES FILE:
<http://www.selux.com/web/files/exterior/QDL-MA-H150T6.zip>

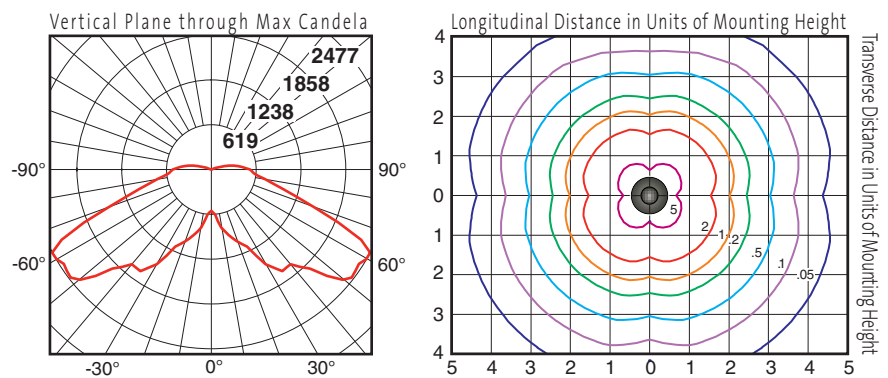


MTR 135 Refractor / 150w MH T6

Catalog # QDL-MS-12-H150T6
Report # SX-762AB5

- Dual optic function combines inner cylindrical lens with Fresnel type prisms.
- New high efficiency MTR optics with low glare and high efficiency.
- Maximum candela of 2477 at 62.5° and -62.5° from vertical.
- IES classification = Type V Semi-Cutoff.

DOWNLOAD IES FILE:
<http://www.selux.com/web/files/exterior/QDL-MS-H150T6.zip>



MTR 135 Refractor / 150w MH T6 / House Side Shield

Catalog # QDL-MS-1-H150T6-HS
 Please consult factory.

H.I.D. Lamp Prorate Table (Clear, G12 base)		
T6 Metal Halide		
Wattage	Factor	Initial Lumens
39	0.24	3300
70	0.47	6600
150	1.00	14000

Conversion Chart	
Values based on 12' mounting height.	
Mounting Height	Multiply
12'	1.00
14'	0.93

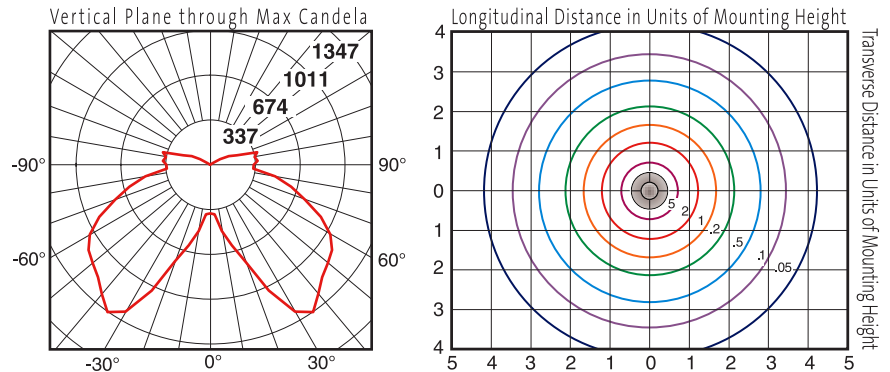
Photometry (cont'd)

Silver Louver / 150w MH

Catalog # QDL-SP-12-H150
Report # SX-762-17

- Mirror finish with prismatic underside shields light source and controls glare.
- Resulting “dark light” effect offers superior visual comfort.
- Maximum candela of 1347 at 35° and -35° from vertical.
- IES classification = Type V Semi-Cutoff.

DOWNLOAD IES FILE:
<http://www.selux.com/web/files/exterior/QDL-SP-H150.zip>

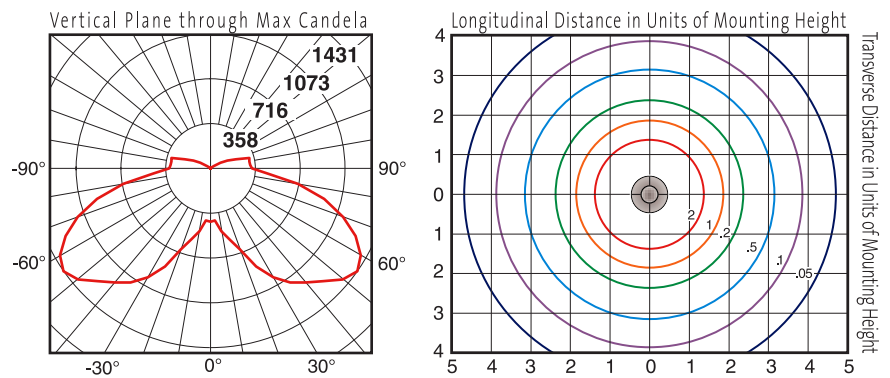


White Louver / 150w MH

Catalog # QDL-WP-12-H150
Report # SX-762

- A Selux variation of a classic louver design.
- Combines brightness control with a subtle luminance around the source.
- Maximum candela of 1431 at 55° and -55° from vertical.
- IES classification = Type V Cutoff.

DOWNLOAD IES FILE:
<http://www.selux.com/web/files/exterior/QDL-WP-H150.zip>

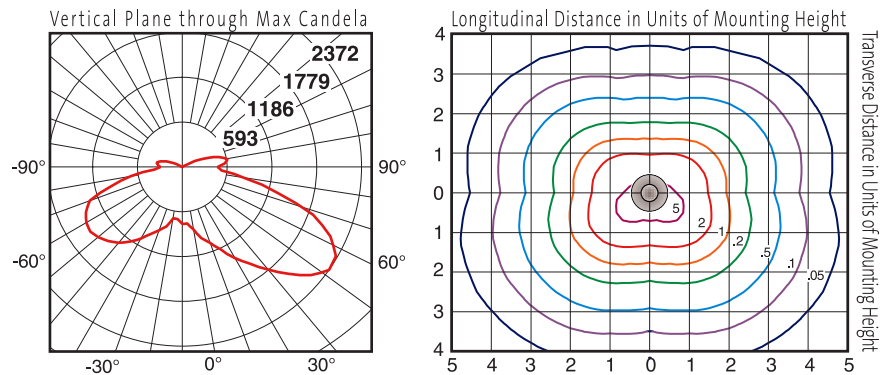


MTR 180 Refractor / 150w MH

Catalog # QDL-M3-12-H150
Report # SX-762

- Innovative “multi-prisms for total reflection” incorporates light-bending characteristics of a prism.
- Directs light precisely with minimum intensity at critical viewing angles.
- Maximum candela of 2372 at 55° from vertical.
- IES classification = Type IV Semi-cutoff.

DOWNLOAD IES FILE:
<http://www.selux.com/web/files/exterior/QDL-M3-H150.zip>



HID Lamp Prorate Table (ED-17 coated, medium base lamp)					
High Pressure Sodium			Metal Halide		
Wattage	Factor	Initial Lumens	Wattage	Factor	Initial Lumens
50	0.29	3800	50	0.24	3200
70	0.45	5950	70	0.40	5300
100	0.66	8800	100	0.64	8500
150	1.01	13500	150	1.00	13300

Conversion Chart	
Values based on 12' mounting height.	
Mounting Height	Multiply
12'	1.00
14'	0.93

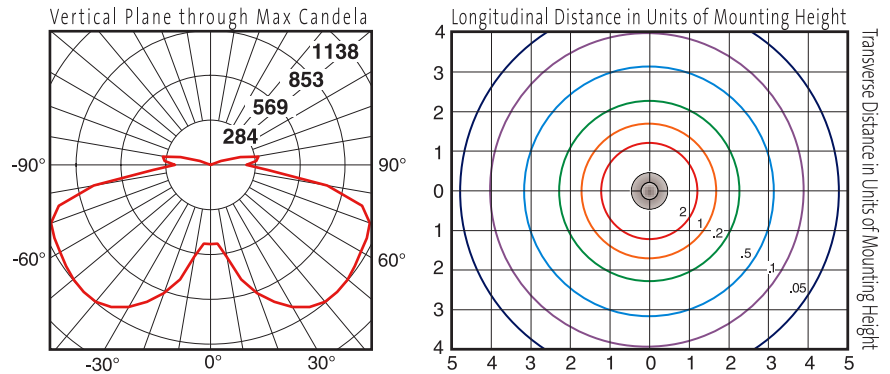
Photometry (cont'd)

Cone Refractor / 100w MH

Catalog # QDL-MC-12-H100
Report # SX-762-17

- MTR optical technology in an inverted, open cone form.
- Precisely directs light with minimum intensity at critical viewing angles.
- Maximum candela of 1138 at 45° and -45° from vertical.
- IES classification = Type V Semi-Cutoff.

DOWNLOAD IES FILE:
<http://www.selux.com/web/files/exterior/QDL-MC-H100.zip>

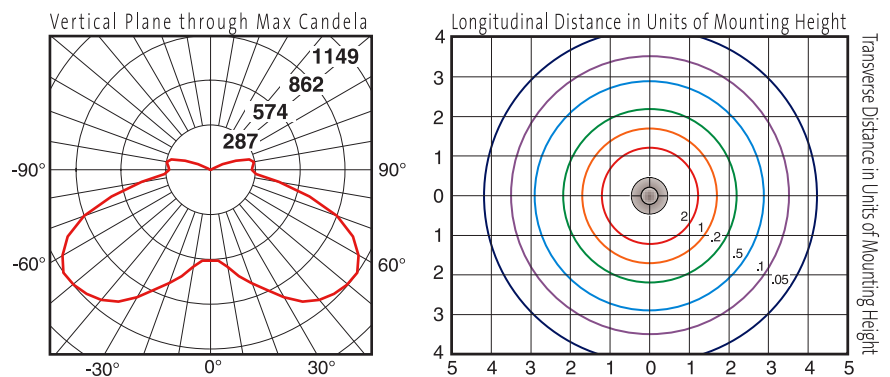


MTR 150 Refractor / 100w MH

Catalog # QDL-MR-12-H100
Report # SX-762-10

- Innovative “multi-prisms for total reflection” incorporates light-bending characteristics of a prism.
- Directs light precisely with minimum intensity at critical viewing angles.
- Maximum candela of 1149 at 55° and -55° from vertical.
- IES classification = Type V Semi-cutoff.

DOWNLOAD IES FILE:
<http://www.selux.com/web/files/exterior/QDL-MR-H100.zip>



HID Lamp Prorate Table (ED-17 coated, medium base lamp)					
High Pressure Sodium			Metal Halide		
Wattage	Factor	Initial Lumens	Wattage	Factor	Initial Lumens
50	0.45	3800	50	0.38	3200
70	0.70	5950	70	0.62	5300
100	1.04	8800	100	1.00	8500
150	1.59	13500	150	1.56	13300

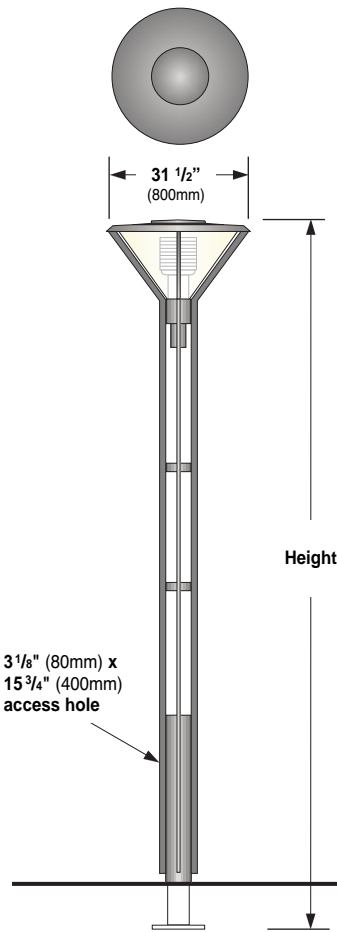
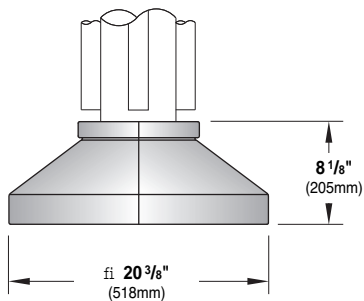
Conversion Chart	
Values based on 12' mounting height.	
Mounting Height	Multiply
12'	1.00
14'	0.93

Mounting Details

Quadrolisk utilizes the same inverted cone pole top fixture as the Quadro 1, however, the integral, lattice construction of the pole provides a unique elegance to prestigious pedestrian areas, shopping malls, and commercial zones.

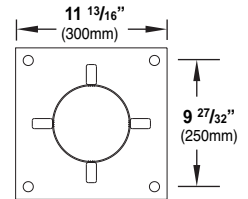
BC9 Optional Base Cover

Die-cast aluminum, two-piece field installable base cover.

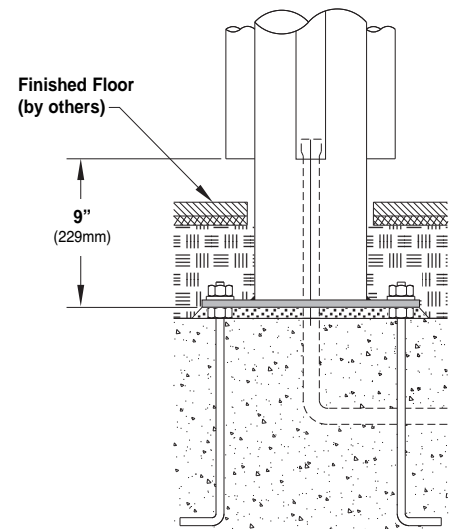


Pole/Fixture allow for 100mph with 1.3 gust factor.

Lattice steel pole is welded to a 7/16" (10mm) thick steel plate, supplied with anchor bolts and template.



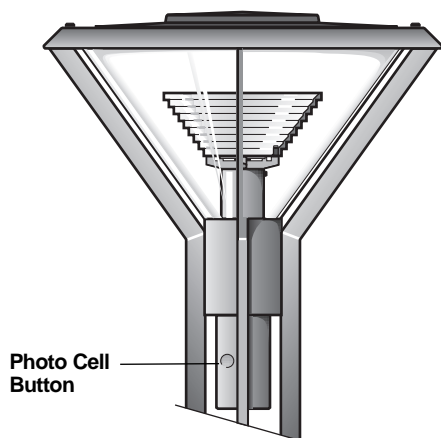
Stub conduit 6" (53mm) above footing.



Suggested anchor bolt projection 2" (50mm). Galvanized steel anchor bolts 3/4" x 15" (19mm x 381mm). Concrete footing to be designed and installed by others.

Optional Accessories

Photo Cell (PC) - Button type photo cell mounted in pole as shown.



GFCI Receptacle (REC) - GFCI duplex receptacle with cast base welded to pole and gasketed, provided with weather-proof, self-closing cover; located 30" (762mm) from base of pole, inline with handhole. Receptacle is intended only for portable tools or other portable equipment to be connected to outlet only when attended by operating personnel.

