

Quadro 2

selux



Project: _____

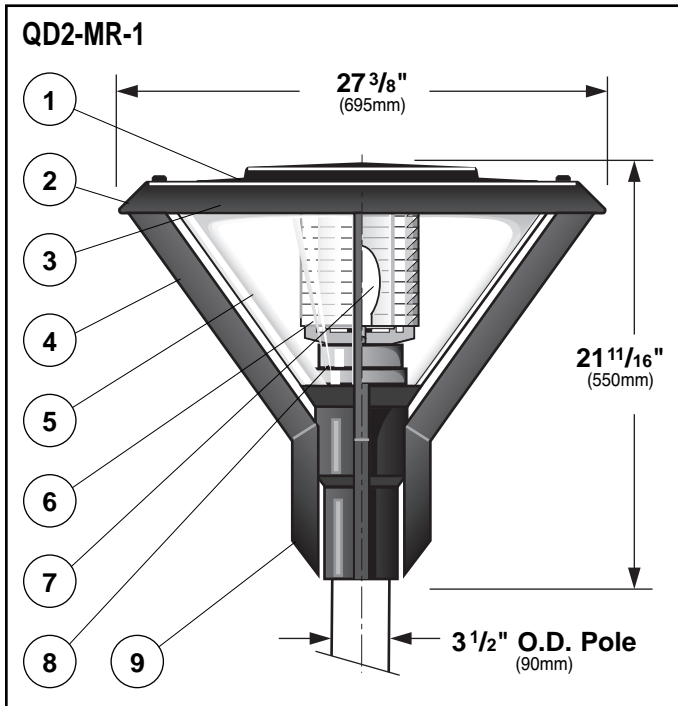
Type: _____ **Qty:** _____

QD2 _____

Series Optics Mounting Lamping Finish Voltage

Option Pole Series Height Finish Options

Series	Optics	Mounting	Lamping			Finish	Voltage	Options
QD2 Quadro 2	MA Type III MTR 135 Refractor	1 Single	T6 Metal Halide*			WH White	120	HS ⁴ House Side Shield (180°) FS ³ Single Fusing PCT Photocell Tenon
	MS Type V MTR 135 Refractor	2 Double	H039T6 ¹ 39wT6	H050 ³ 50w	S050 ³ 50w	BK Black	208	
	SP Type V Silver Louver	W Wall	H070T6 ² 70wT6	H070 70w	S070 70w	BZ Bronze	240	
	WP Type V White Louver			H100 100w	S100 100w	SV Silver	277	
	MR Type V MTR 150 Refractor					SP Specify Premium Color	347	
			*Only available with MA & MS refractors					
			¹ Only available in 120V and 277V			² Only for Osram or Philips lamps		
						³ Not available with 347V		
						⁴ Not available with MA		



1. Fixture Cover - Formed aluminum cover with white painted interior for maximum reflectivity. Removes by loosening four stainless steel, captive screws for easy access to lamp chamber.

2. Gasketing - Continuous molded neoprene gasket provides weather-proofing, dust, and insect control for all fixture connections.

3. Frame Ring - Formed aluminum ring with fixture cover screw retain-

ing hardware. Ring attaches to fixture frame arms.

4. Fixture Frame - Four cast aluminum arms attach to pole fitter with stainless steel allen head screws.

5. Globe - Vacuum-formed, 1-piece clear U.V. stabilized polycarbonate.

6. Optics - Select Type III or V MTR135 refractor; high pressure die-cast aluminum Type V silver or white louver; or Type V MTR Refractor. Formed aluminum House Side Shield available for all Type V Refractors. Clip-on prisms create Type III distribution for MA optics.

7. Lamp - Select one coated, base down, medium base ED-17 metal halide or high pressure sodium up to 100w; one G12 base T6 metal halide, up to 70w. Lamp provided by others.

8. Electroblock - Extruded aluminum tubing houses core and coil ballast. Pulse rated porcelain, medium base socket is mounted to die-cast aluminum socket cup for maximum heat dissipation and is pre-wired to ballast. Socket cup attaches to electroblock with two stainless steel screws and is easily removable for ballast service. Consult factory for more detailed ballast information.

9. Pole Fitter - Self-leveling, die-cast aluminum, fitter base secured to pole with two, stainless steel, Allen head set screws. For 3 1/2" (90mm) O.D. poles.

Exterior Luminaire Finish - Selux utilizes a high quality Polyester Powder Coating. All Selux luminaires and poles are finished in our Tiger Drylac certified facility and undergo a five stage intensive pre-treatment process where product is thoroughly cleaned, phosphated and sealed. Selux powder coated products provide excellent salt and humidity resistance as well as ultra violet resistance for color retention. All products are tested in accordance with test specifications for coatings from ASTM and PCI.

Standard exterior colors are White (WH), Black (BK), Bronze (BZ), and Silver (SV). Selux premium colors (SP) are available, please specify from your Selux color selection guide.



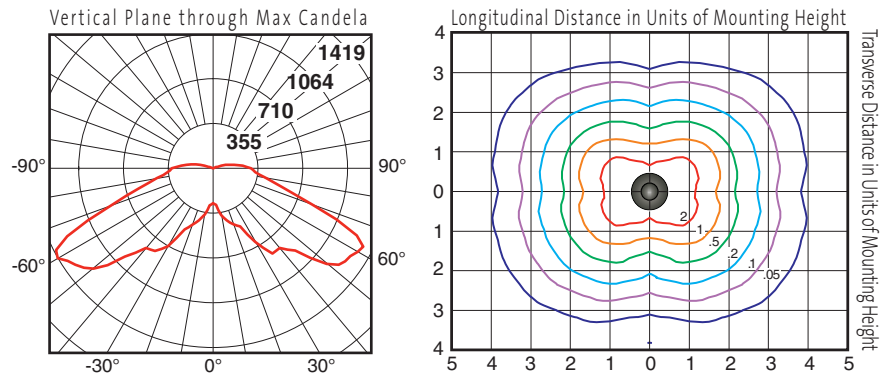
Photometry

MTR 135 Refractor / 70w MH T6

Catalog # QD2-MA-1-H70T6
Report # SX-762AB4

- Dual optic function combines inner cylindrical lens with Fresnel type prisms.
- New generation MTR glass refractor with low glare and high efficiency.
- Maximum candela of 1419 at -60° from vertical.
- IES classification = Type III Non-Cutoff.

DOWNLOAD IES FILE:
http://www.selux.us/fileadmin/us/exterior/ies_file/QD2_IES.zip

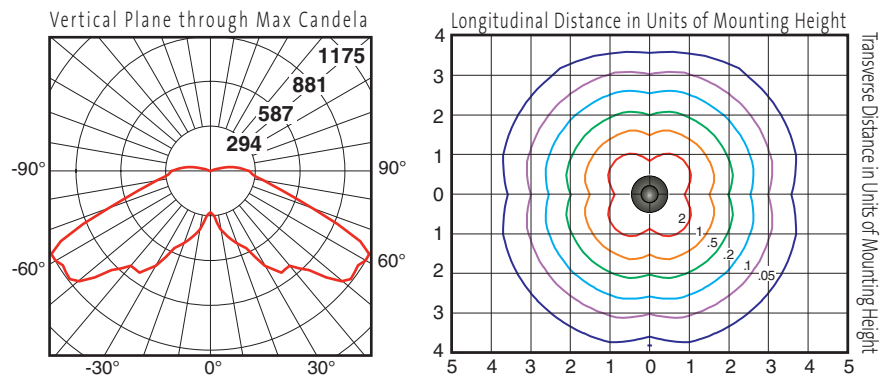


MTR 135 Refractor / 70w MH T6

Catalog # QD2-MS-1-H70T6
Report # SX762AB5

- Dual optic function combines inner cylindrical lens with Fresnel type prisms.
- New generation MTR glass refractor with low glare and high efficiency.
- Maximum candela of 1174 at 62.5° and -62.5° from vertical.
- IES classification = Type V Semi-Cutoff.

DOWNLOAD IES FILE:
http://www.selux.us/fileadmin/us/exterior/ies_file/QD2_IES.zip



MTR 135 Refractor / 70w MH T6 / House Side Shield

Catalog # QD2-MS-1-H70T6-HS
Please consult factory.

H.I.D. Lamp Prorate Table (Clear, G12 base)		
T6 Metal Halide		
Wattage	Factor	Initial Lumens
39	0.50	3300
70	1.00	6600

Conversion Chart	
Values based on 10' mounting height.	
Mounting Height	Multiply
8'	1.12
10'	1.00
12'	0.91
14'	0.85
16'	0.79

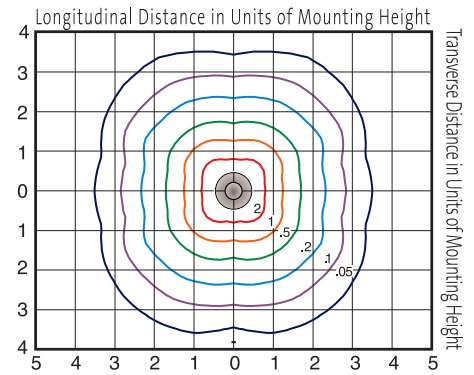
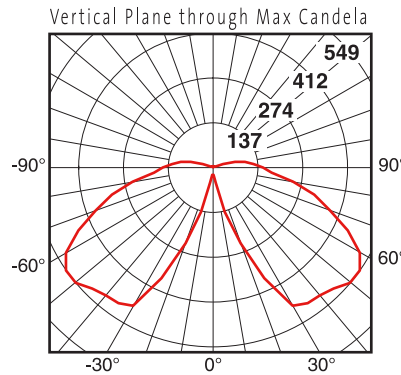
Photometry (cont'd)

Silver Louver / 70w MH

Catalog # QD2-SP-1-H70
Report # SX-762 14

- Mirror finish with prismatic underside shields light source and controls glare.
- Resulting “dark light” effect offers superior visual comfort.
- Maximum candela of 549 at 55° from vertical.
- IES classification = Type V Semi-Cutoff.

DOWNLOAD IES FILE:
http://www.selux.us/fileadmin/us/exterior/ies_file/QD2_IES.zip

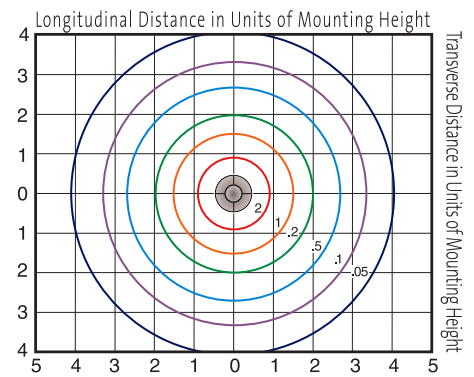
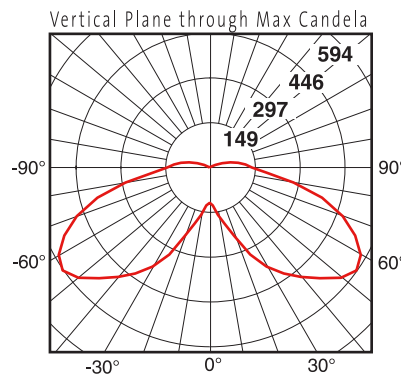


White Louver / 70w MH

Catalog # QD2-WP-1-H70
Report # SX-762 10

- A Selux variation of a classic louver design.
- Combines brightness control with a subtle luminance around the source.
- Maximum candela of 594 at 55° from vertical.
- IES classification = Type V Semi-Cutoff.

DOWNLOAD IES FILE:
http://www.selux.us/fileadmin/us/exterior/ies_file/QD2_IES.zip

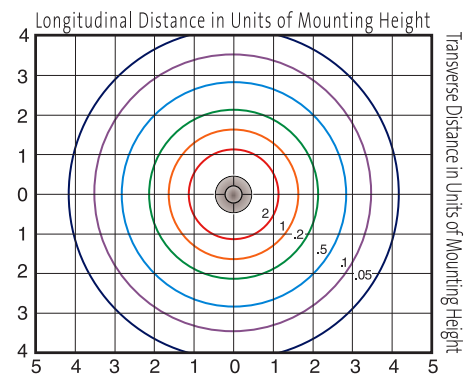
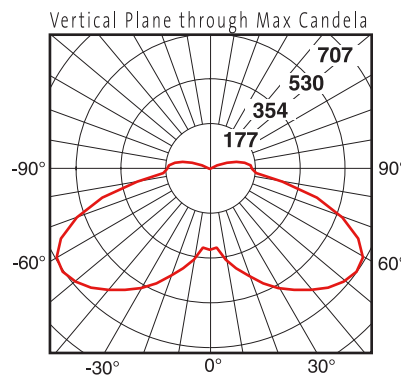


MTR 150 Refractor / 70w MH

Catalog # QD2-MR-1-H70
Report # SX-762 18

- Innovative “multi-prisms for total reflection” incorporates light-bending characteristics of a prism.
- Directs light precisely with minimum intensity at critical viewing angles.
- Maximum candela of 707 at 55° from vertical.
- IES classification = Type V Semi-cutoff.

DOWNLOAD IES FILE:
http://www.selux.us/fileadmin/us/exterior/ies_file/QD2_IES.zip



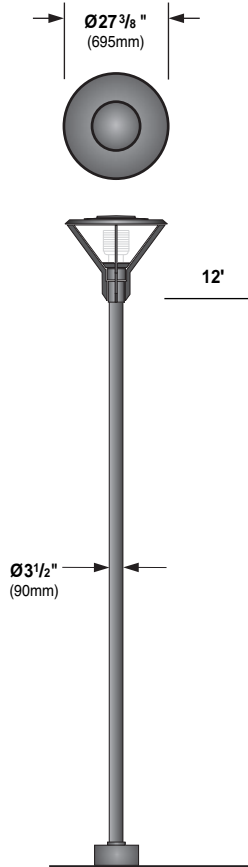
HID Lamp Prorate Table (ED-17 coated, medium base lamp)					
High Pressure Sodium			Metal Halide		
Wattage	Factor	Initial Lumens	Wattage	Factor	Initial Lumens
50	0.72	3800	50	0.60	3200
70	1.12	5950	70	1.00	5300
100	1.66	8800	100	1.60	8500
150	2.55	13500	150	2.51	13300

Conversion Chart	
Values based on 10' mounting height.	
Mounting Height	Multiply
8'	1.12
10'	1.00
12'	0.91
14'	0.85
16'	0.79

Mounting Details

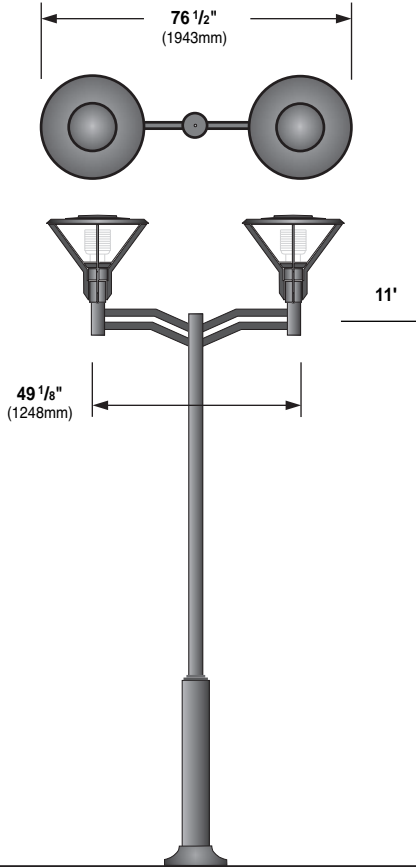
Single

Die-cast aluminum fitter base secured to pole with two stainless steel, Allen head set screws.



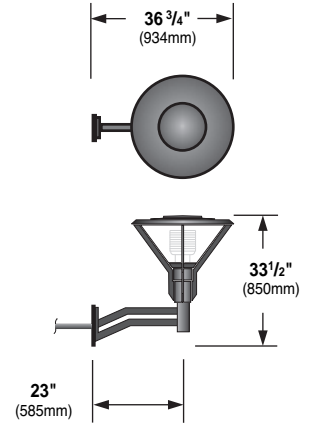
Double

Double luminaire mounting arm secured to pole with four stainless steel, Allen head set screws. Outer slip fitter for $3\frac{1}{2}"$ tenon.



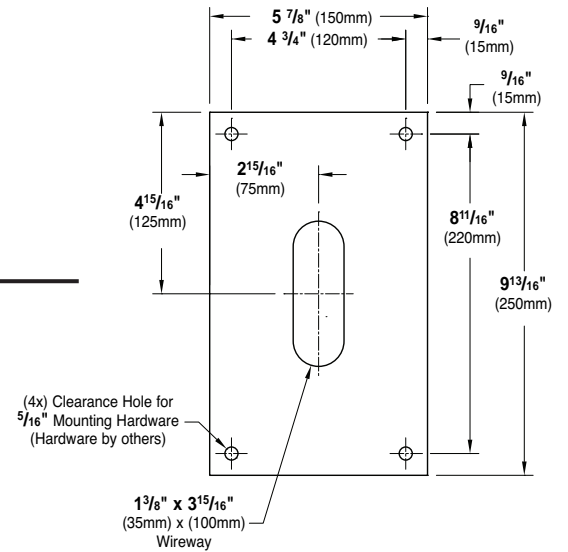
Wall

Double wall mount arm secured to wall with $\frac{1}{4}"$ diameter threaded fasteners (by others).



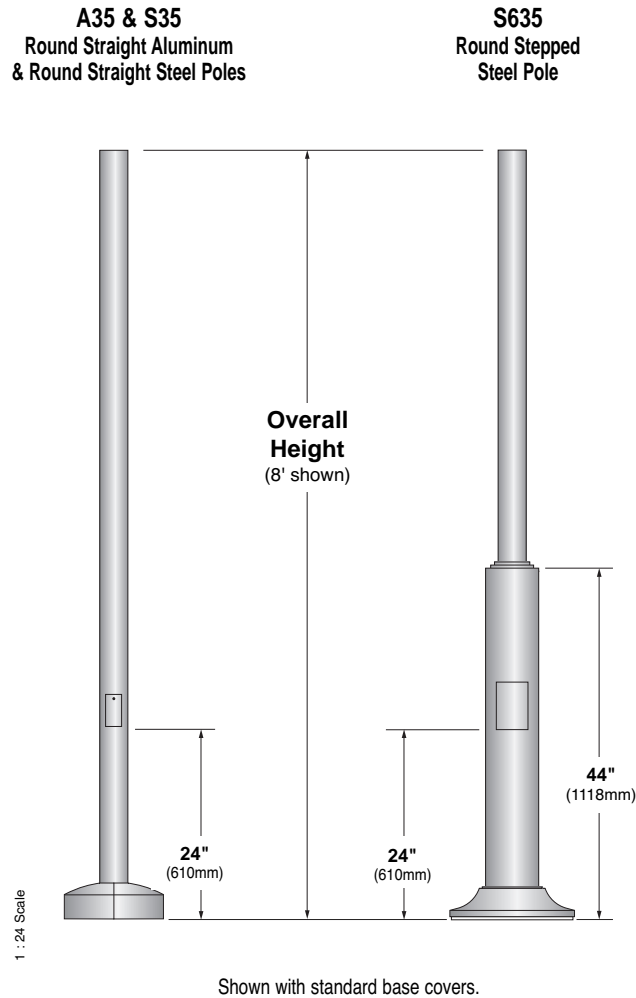
Wall Arm Mounting Detail

(Conduit and mounting hardware by others.)



Pole Information

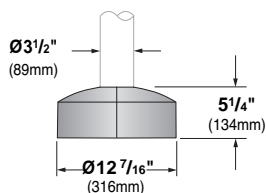
Refer to A35, S635, or S35 Pole specification sheets for construction details, anchorage information and additional options.



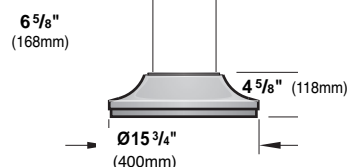
Base Cover Information

Refer to A35, A4P, S635, S4P, or S35 Pole specification sheets for construction details, anchorage information and additional options.

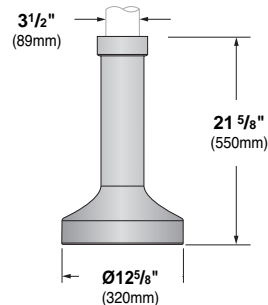
Straight Poles (A35 & S35)
BC5 Standard Base Cover
Two-piece cast aluminum



Stepped Steel Pole (S635)
BC6 Standard Base Cover
One-piece cast aluminum



BC1 Optional Base Cover
(A35 & S35)
One-piece cast aluminum



Pole Chart Data

Pole Series	Bolt Circle	EPA Information (ft ²)					Height	Finish	Options
		70 mph	80 mph	90 mph	100 mph	110 mph			
S635 3 1/2" Diameter Stepped Steel Pole	Ø9"	57.6	44.3	34.6	27.5	22.8	8 8 ft.	WH White BK Black	BC1 Decorative Cast Aluminum Base Cover (for A35 & S35 poles only) REC GFCI Receptacle with weather-proof cover ¹ For PCT option, see p.1 ¹ Weatherproof cover intended for portable tools or other portable equipment connected to the outlet only when attended. For other requirements please consult factory.
A35 3 1/2" Diameter Straight Aluminum Pole	Ø7 3/4"	16.1	12.2	9.4	7.3	5.9			
S35 3 1/2" Diameter Straight Steel Pole	Ø7 3/4"	14.8	11.3	8.6	6.7	5.4			
S635 3 1/2" Diameter Stepped Steel Pole	Ø9"	45.6	35.0	27.3	21.6	17.8	10 10 ft.	BZ Bronze SV Silver	
A35 3 1/2" Diameter Straight Aluminum Pole	Ø7 3/4"	12.4	9.3	7.1	5.4	4.3			
S35 3 1/2" Diameter Straight Steel Pole	Ø7 3/4"	11.4	8.6	6.5	4.9	3.9			
S635 3 1/2" Diameter Stepped Steel Pole	Ø9"	37.6	28.7	22.3	17.5	14.4	12 12 ft.	SP Specify Premium Color	
A35 3 1/2" Diameter Straight Aluminum Pole	Ø7 3/4"	9.9	7.3	5.4	4.0	3.1			
S35 3 1/2" Diameter Straight Steel Pole	Ø7 3/4"	9.1	6.7	4.9	3.6	2.8			
S635 3 1/2" Diameter Stepped Steel Pole	Ø9"	31.7	24.2	18.6	14.6	11.9	14 14 ft.		
A35 3 1/2" Diameter Straight Aluminum Pole	Ø7 3/4"	8.0	5.8	4.2	3.0	2.2			
S35 3 1/2" Diameter Straight Steel Pole	Ø7 3/4"	7.3	5.3	3.8	2.7	1.9			
S635 3 1/2" Diameter Stepped Steel Pole	Ø9"	21.7	15.8	12.3	9.6	7.6	16 16 ft.		
A35 3 1/2" Diameter Straight Aluminum Pole	Ø7 3/4"	4.9	3.2	2.2	1.4	0.8			
S35 3 1/2" Diameter Straight Steel Pole	Ø7 3/4"	4.4	2.8	1.9	1.2	0.6			

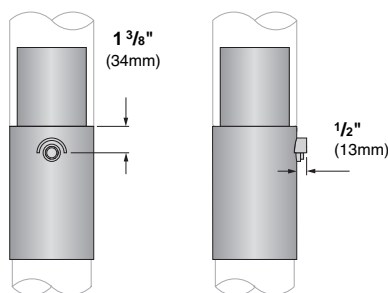
¹Other pole configurations available, consult factory. ²EPA Calculations allow for 1.3 Gust Factor

Effective Projected Area of Single Luminaire = 0.92 ft² (0.09m²) / Weight of Luminaire = 35.0 lbs (15.9kg)

Effective Projected Area of Double Luminaire = 2.37 ft² (0.22m²) / Weight of Double Luminaire (includes arms) = 94.0 lbs (42.6kg)

Optional Accessories

Photo Cell Tenon (PCT) - Button type photocell mounted in cast aluminum pole top tenon. Tenon has integral cast visor to prevent false start/stop cycle and can be oriented for optimum performance. Refer to fixture spec sheet to determine if this option is applicable.



GFCI Receptacle (REC) - GFCI duplex receptacle with cast base bolted to pole and gasketed, provided with weather-proof, self-closing cover; located 36" (915mm) from base of pole, inline with handhole. Receptacle is intended only for portable tools or other portable equipment to be connected to outlet only when attended by operating personnel.

