

# Quadro 1

# selux



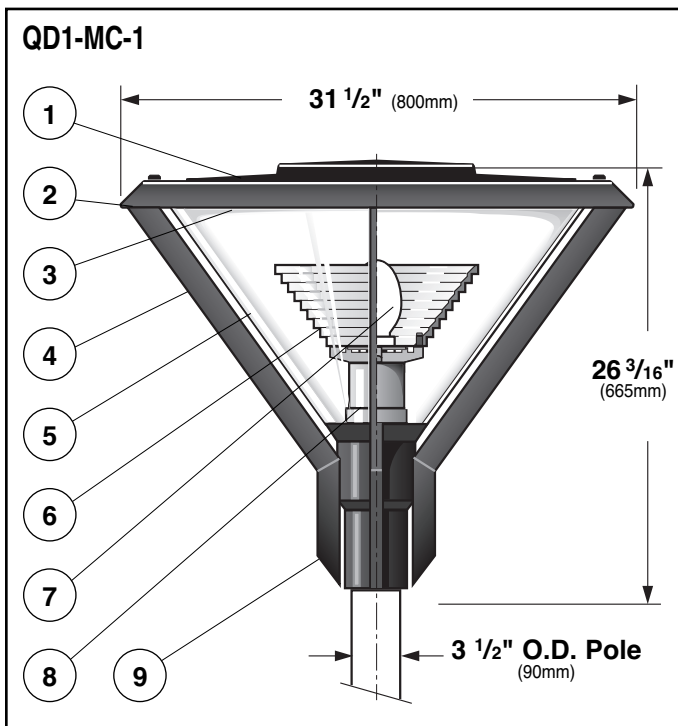
**Project:** \_\_\_\_\_

**Type:** \_\_\_\_\_ **Qty:** \_\_\_\_\_

<b>QD1</b>	_____	_____	_____	_____	_____	_____	_____
<b>Series</b>	<b>Optics</b>	<b>Mounting</b>	<b>Lamping</b>	<b>Finish</b>	<b>Voltage</b>	<b>Option</b>	
_____	_____	_____	_____	_____	_____	_____	
<b>Pole Series</b>	<b>Height</b>	<b>Finish</b>	<b>Option</b>				
_____	_____	_____	_____				

Series	Optics	Mounting	Lamping			Finish	Voltage	Options
QD1 Quadro 1	MA Type III MTR 135 Refractor	1 Single	T6 Metal Halide*			WH White	120	HS <sup>6</sup> House Side Shield (180°)
	MS Type V MTR 135 Refractor	2 Double	H039T6 <sup>1</sup> 39wT6	H050 <sup>3</sup> 50w	S050 <sup>3</sup> 50w	BK Black	208	
	SP Type V Silver Louver	W Wall	H070T6 <sup>2</sup> 70wT6	H070 70w	S070 70w	BZ Bronze	240	
	WP Type V White Louver		H150T6 <sup>2</sup> 150wT6	H100 100w	S100 100w	SV Silver	277	FS <sup>3</sup> Single Fusing PCT Photocell Tenon
	MR Type V MTR 150 Refractor		*Only available with MA & MS refractors			SP Specify Premium Color	347	
	M3 Type IV MTR 180 Refractor			H150 <sup>4</sup> 150w	S150 <sup>4,5</sup> 150w			
	M5 Type V MTR 180 Refractor							
	MC Type V MTR Cone Refractor							

<sup>1</sup>Only available in 120v and 277V <sup>2</sup>Only for Osram or Philips lamps <sup>3</sup>Not available with 347V <sup>4</sup>Not available with MR nor MC <sup>5</sup>Only for 55V lamp <sup>6</sup>Not available with MA, MC nor M3



**1. Fixture Cover** - Formed aluminum cover with white painted interior for maximum reflectivity. Removes by loosening four stainless steel, captive set screws for easy access to lamp chamber.

**2. Gasketing** - Continuous molded neoprene gasket provides weatherproofing, dust, and insect control for all fixture connections.

**3. Frame Ring** - Formed aluminum ring with fixture cover screw retaining hardware. Ring attaches to fixture frame arms.

**4. Fixture Frame** - Four cast aluminum arms attach to pole fitter with stainless steel allen head screws.

**5. Globe** - Vacuum-formed, one piece clear U.V. stabilized polycarbonate.

**6. Optics** - Select Type III or Type V MTR 135 refractor; high pressure die-cast aluminum Type V silver or white louver; or Type IV or Type V MTR Refractor. Formed aluminum House-Side Shield available for all Type V Refractors except MC. Clip-on prisms create Type III distribution for MA optics.

**7. Lamp** - Select one coated, base down, medium base ED-17 metal halide or high pressure sodium up to 150w; or one G12 base T6 metal halide, up to 150w. Lamp provided by others.

**8. Electrobloc** - Extruded aluminum tubing houses high-efficiency, pulse start, core and coil ballast. Pulse rated porcelain, medium base socket is mounted to die-cast aluminum socket cup

for maximum heat dissipation and is pre-wired to ballast. Socket cup attaches to electroblock with two stainless steel screws and is easily removable for ballast service. Consult factory for more detailed ballast information.

**9. Pole Fitter** - Self-leveling, die-cast aluminum, fitter base secured to pole with two, stainless steel, Allen head set screws. For 3 1/2" (90mm) O.D. poles.

**Exterior Luminaire Finish** - Selux utilizes a high quality Polyester Powder Coating. All Selux luminaires and poles are finished in our Tiger Drylac certified facility and undergo a five stage intensive pretreatment process where product is thoroughly cleaned, phosphated and sealed. Selux powder coated products provide excellent salt and humidity resistance as well as ultra violet resistance for color retention. All products are tested in accordance with test specifications for coatings from ASTM and PCI.

Standard exterior colors are White (WH), Black (BK), Bronze (BZ), and Silver (SV). Selux premium colors (SP) are available, please specify from your Selux color selection guide.



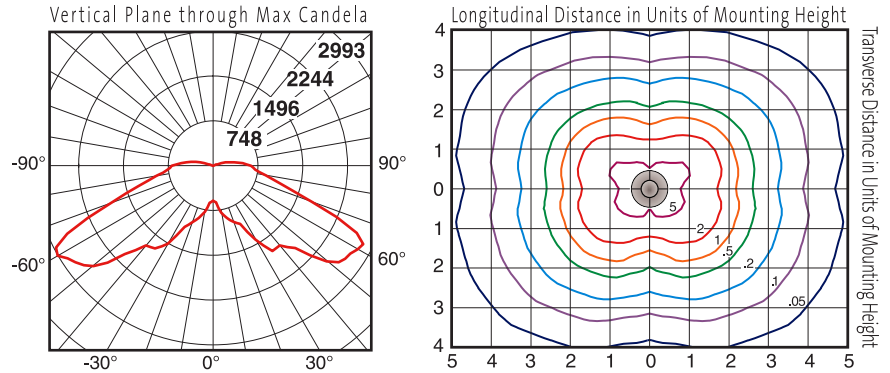
## Photometry

### MTR 135 Refractor / 150w MH T6

**Catalog # QD1-MA-1-H150T6**  
**Report # SX-762AB4**

- Dual optic function combines inner cylindrical lens with Fresnel type prisms.
- New generation MTR glass refractor with low glare and high efficiency.
- Maximum candela of 2993 at -60° from vertical.
- IES classification = Type III Semi-Cutoff.

DOWNLOAD IES FILE:  
[http://www.selux.us/fileadmin/us/exterior/ies\\_file/QD1\\_IES.zip](http://www.selux.us/fileadmin/us/exterior/ies_file/QD1_IES.zip)

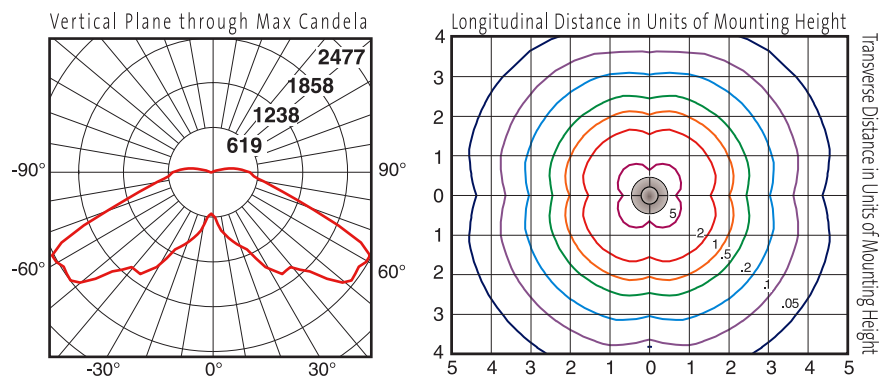


### MTR 135 Refractor / 150w MH T6

**Catalog # QD1-MS-1-H150T6**  
**Report # SX-762AB5**

- Dual optic function combines inner cylindrical lens with Fresnel type prisms.
- New generation MTR glass refractor with low glare and high efficiency.
- Maximum candela of 2477 at 62.5° and -62.5° from vertical.
- IES classification = Type V Semi-Cutoff.

DOWNLOAD IES FILE:  
[http://www.selux.us/fileadmin/us/exterior/ies\\_file/QD1\\_IES.zip](http://www.selux.us/fileadmin/us/exterior/ies_file/QD1_IES.zip)



### MTR 135 Refractor / 150w MH T6 / House Side Shield

**Catalog # QD1-MS-1-H150T6-HS**  
 Please consult factory.

H.I.D. Lamp Prorate Table (Clear, G12 base)		
T6 Metal Halide		
Wattage	Factor	Initial Lumens
39	0.24	3300
70	0.47	6600
150	1.00	14000

Conversion Chart	
Values based on 12' mounting height.	
Mounting Height	Multiply
8'	1.22
10'	1.10
12'	1.00
14'	0.93
16'	0.87

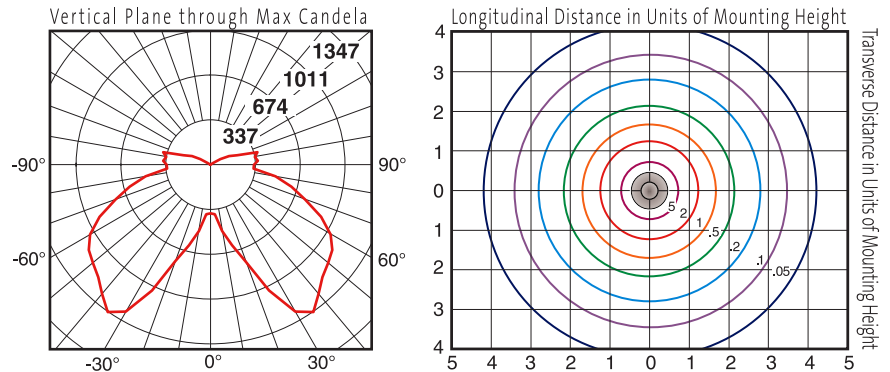
## Photometry (cont'd)

### Silver Louver / 150w MH

Catalog # QD1-SP-1-H150  
Report # SX-762

- Mirror finish with prismatic underside shields light source and controls glare.
- Resulting “dark light” effect offers superior visual comfort.
- Maximum candela of 1347 at 35° from vertical.
- IES classification = Type V Semi-Cutoff.

DOWNLOAD IES FILE:  
[http://www.selux.us/fileadmin/us/exterior/ies\\_file/QD1\\_IES.zip](http://www.selux.us/fileadmin/us/exterior/ies_file/QD1_IES.zip)

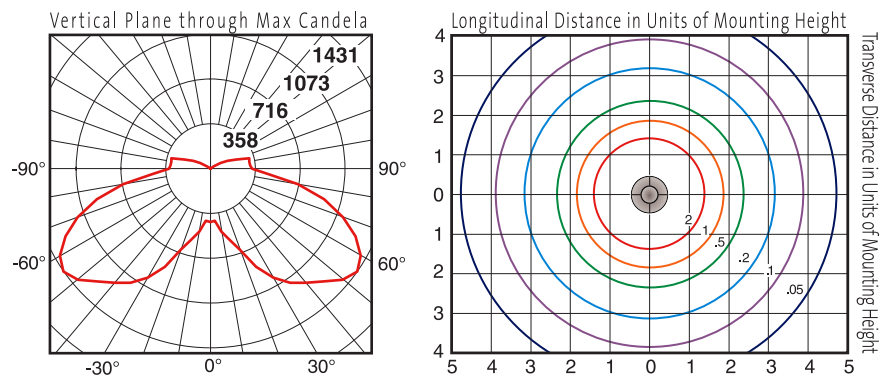


### White Louver / 150w MH

Catalog # QD1-WP-1-H150  
Report # SX-762

- A se'lux variation of a classic louver design.
- Combines brightness control with a subtle luminance around the source.
- Maximum candela of 1431 at 55° from vertical.
- IES classification = Type V Cutoff.

DOWNLOAD IES FILE:  
[http://www.selux.us/fileadmin/us/exterior/ies\\_file/QD1\\_IES.zip](http://www.selux.us/fileadmin/us/exterior/ies_file/QD1_IES.zip)

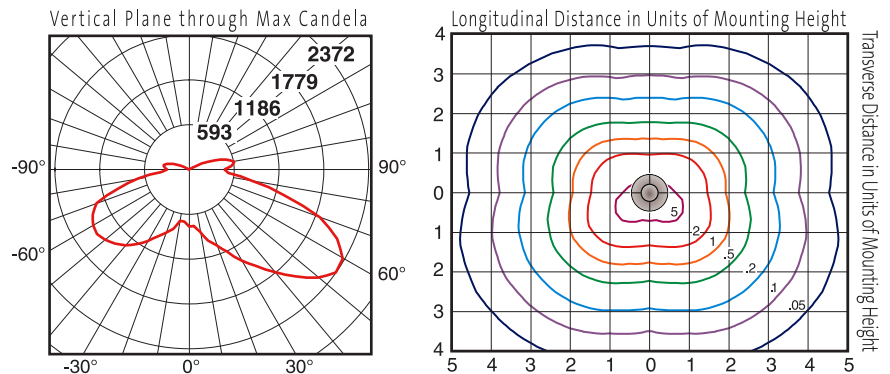


### MTR 180 Asymmetrical / 150w MH

Catalog # QD1-M3-1-H150  
Report # LSI-QD1ME3

- Innovative “multi-prisms for total reflection” incorporates light-bending characteristics of a prism.
- Directs light precisely with minimum intensity at critical viewing angles.
- Maximum candela of 2372 at 55° from vertical.
- IES classification = Type IV Semi-cutoff.

DOWNLOAD IES FILE:  
[http://www.selux.us/fileadmin/us/exterior/ies\\_file/QD1\\_IES.zip](http://www.selux.us/fileadmin/us/exterior/ies_file/QD1_IES.zip)



HID Lamp Prorate Table (ED-17 coated, medium base lamp)					
High Pressure Sodium			Metal Halide		
Wattage	Factor	Initial Lumens	Wattage	Factor	Initial Lumens
50	0.29	3800	50	0.24	3200
70	0.45	5950	70	0.40	5300
100	0.66	8800	100	0.64	8500
150	1.02	13500	150	1.00	13300

Conversion Chart	
Values based on 12' mounting height.	
Mounting Height	Multiply
8'	1.22
10'	1.10
12'	1.00
14'	0.93
16'	0.87

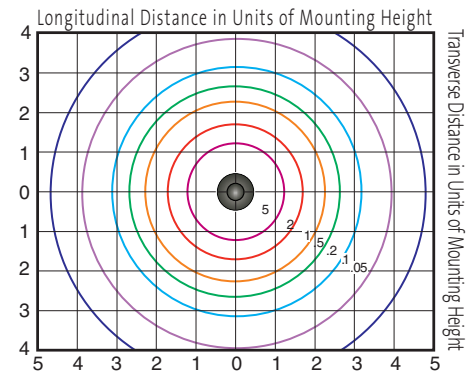
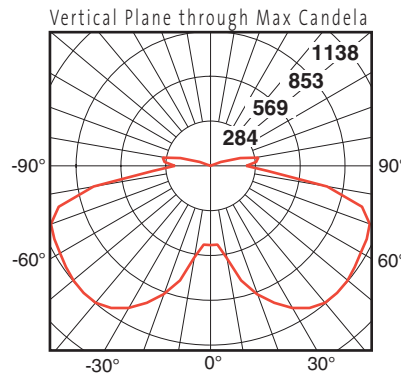
## Photometry (cont'd)

### MTR Cone Refractor / 100w MH

Catalog # QD1-MC-1-H100  
Report # SX-762 17

- Innovative “multi-prisms for total reflection” incorporates light-bending characteristics of a prism.
- Directs light precisely with minimum intensity at critical viewing angles.
- Maximum candela of 1138 at 45° and -45° from vertical.
- IES classification = Type V Semi-cutoff.

DOWNLOAD IES FILE:  
[http://www.selux.us/fileadmin/us/exterior/ies\\_file/QD1\\_IES.zip](http://www.selux.us/fileadmin/us/exterior/ies_file/QD1_IES.zip)

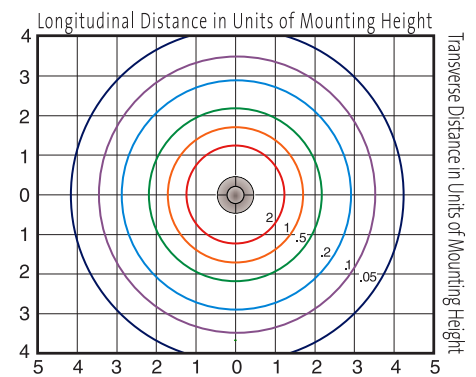
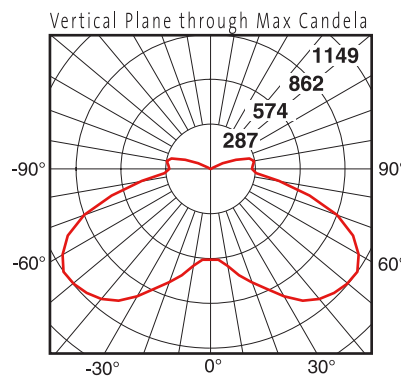


### MTR 150 Refractor / 100w MH

Catalog # QD1-MR-1-H100  
Report # SX-762 10

- Innovative “multi-prisms for total reflection” incorporates light-bending characteristics of a prism.
- Directs light precisely with minimum intensity at critical viewing angles.
- Maximum candela of 1149 at 55° from vertical.
- IES classification = Type V Semi-cutoff.

DOWNLOAD IES FILE:  
[http://www.selux.us/fileadmin/us/exterior/ies\\_file/QD1\\_IES.zip](http://www.selux.us/fileadmin/us/exterior/ies_file/QD1_IES.zip)



HID Lamp Prorate Table (ED-17 coated, medium base lamp)					
High Pressure Sodium			Metal Halide		
Wattage	Factor	Initial Lumens	Wattage	Factor	Initial Lumens
50	0.29	3800	50	0.24	3200
70	0.70	5950	70	0.62	5300
100	1.04	8800	100	1.00	8500
150	1.59	13500	150	1.56	13300

Conversion Chart	
Values based on 12' mounting height.	
Mounting Height	Multiply
8'	1.22
10'	1.10
12'	1.00
14'	0.93
16'	0.87

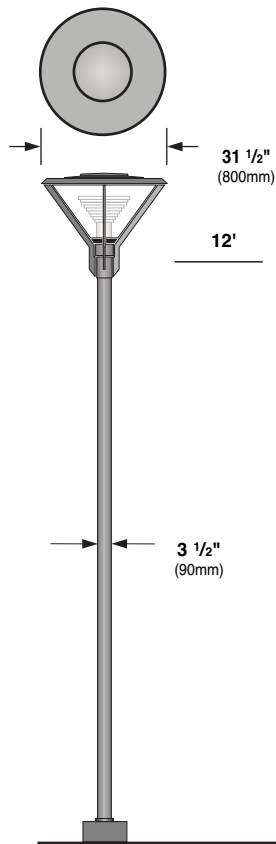
# Quadro 1

**selux**

## Mounting

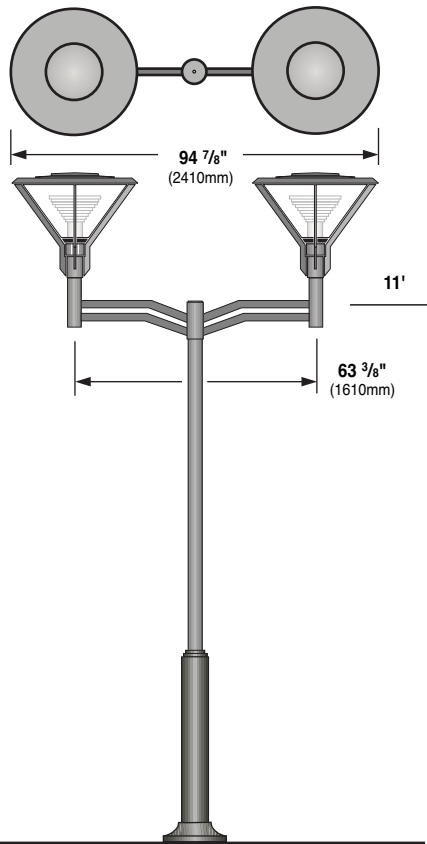
### Single

Die-cast aluminum fitter base secured to pole with two stainless steel, Allen head set screws.



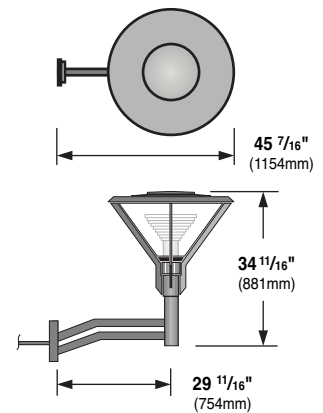
### Double

Double luminaire mounting arm secured to pole with four stainless steel, Allen head set screws. Outer slip fitter for 31/2" tenon.



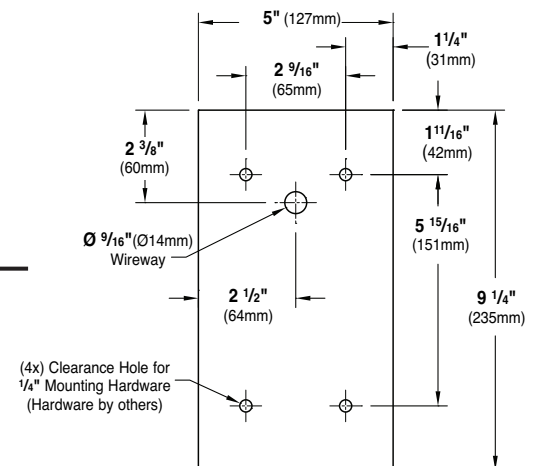
### Wall

Double wall mount arm secured to wall with 1/4" diameter threaded fasteners (by others).



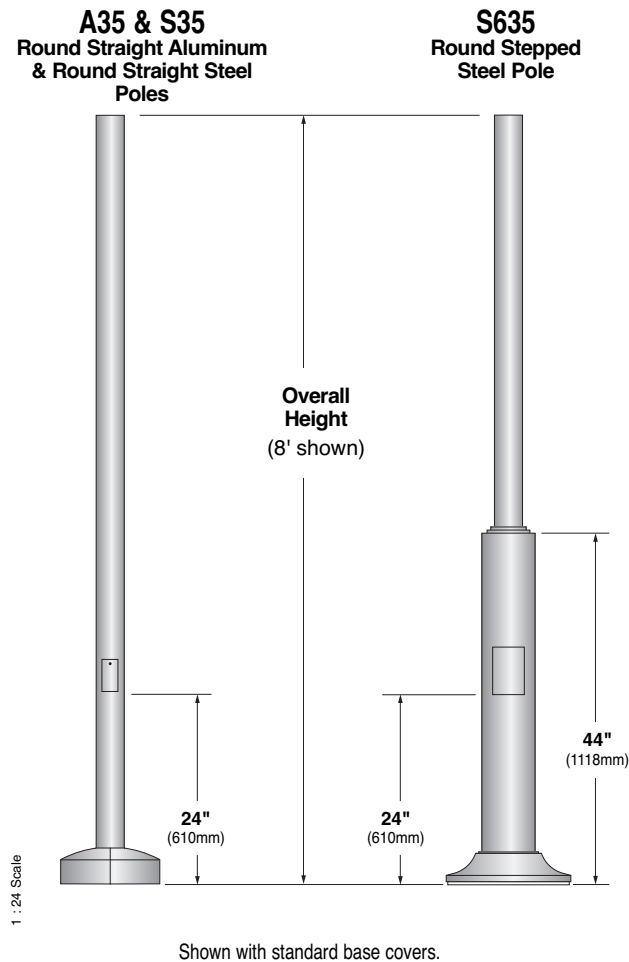
### Wall Arm Mounting Detail

(Conduit and mounting hardware by others.)



## Pole Information

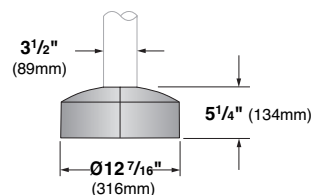
Refer to A35, S635, or S35 Pole specification sheets for construction details, anchorage information and additional options.



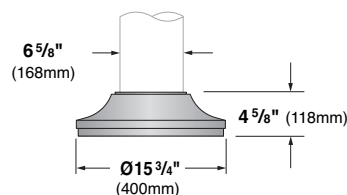
## Base Cover Information

Refer to A35, S635, or S35 Pole specification sheets for construction details, anchorage information and additional options.

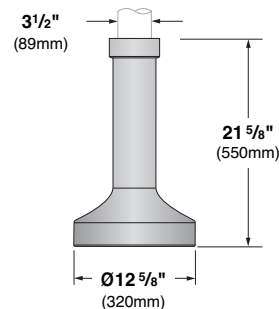
**Straight Poles (A35 & S35)**  
**BC5 Standard Base Cover**  
Two-piece cast aluminum



**Stepped Steel Pole (S635)**  
**BC6 Standard Base Cover**  
One-piece cast aluminum



**BC1 Optional Base Cover**  
**(A35 & S35)** One-piece cast alu-  
minum



## Pole Data Chart

Pole Series	Bolt Circle	EPA Information (ft <sup>2</sup> )					Height	Finish	Options
		70 mph	80 mph	90 mph	100 mph	110 mph			
<b>S635</b> 3 1/2" Diameter Stepped Steel Pole	Ø9"	57.6	44.3	34.6	27.5	22.8	8 8 ft.	<b>WH</b> White <b>BK</b> Black	<b>BC1</b> Decorative Cast Aluminum Base Cover (for A35 & S35 poles only)
<b>A35</b> 3 1/2" Diameter Straight Aluminum Pole	Ø7 3/4"	16.1	12.2	9.4	7.3	5.9			
<b>S35</b> 3 1/2" Diameter Straight Steel Pole	Ø7 3/4"	14.8	11.3	8.6	6.7	5.4			
<b>S635</b> 3 1/2" Diameter Stepped Steel Pole	Ø9"	45.6	35.0	27.3	21.6	17.8	10 10 ft.	<b>BZ</b> Bronze <b>SV</b> Silver	<b>REC</b> GFCI Receptacle with weather-proof cover <sup>1</sup>
<b>A35</b> 3 1/2" Diameter Straight Aluminum Pole	Ø7 3/4"	12.4	9.3	7.1	5.4	4.3			
<b>S35</b> 3 1/2" Diameter Straight Steel Pole	Ø7 3/4"	11.4	8.6	6.5	4.9	3.9			
<b>S635</b> 3 1/2" Diameter Stepped Steel Pole	Ø9"	37.6	28.7	22.3	17.5	14.4	12 12 ft.	<b>SP</b> Specify Premium Color	For PCT option, see p.1
<b>A35</b> 3 1/2" Diameter Straight Aluminum Pole	Ø7 3/4"	9.9	7.3	5.4	4.0	3.1			
<b>S35</b> 3 1/2" Diameter Straight Steel Pole	Ø7 3/4"	9.1	6.7	4.9	3.6	2.8			
<b>S635</b> 3 1/2" Diameter Stepped Steel Pole	Ø9"	31.7	24.2	18.6	14.6	11.9	14 14 ft.		<sup>1</sup> Weatherproof cover intended for portable tools or other portable equipment connected to the outlet only when attended. For other requirements please consult factory.
<b>A35</b> 3 1/2" Diameter Straight Aluminum Pole	Ø7 3/4"	8.0	5.8	4.2	3.0	2.2			
<b>S35</b> 3 1/2" Diameter Straight Steel Pole	Ø7 3/4"	7.3	5.3	3.8	2.7	1.9			
<b>S635</b> 3 1/2" Diameter Stepped Steel Pole	Ø9"	21.7	15.8	12.3	9.6	7.6	16 16 ft.		
<b>A35</b> 3 1/2" Diameter Straight Aluminum Pole	Ø7 3/4"	4.9	3.2	2.2	1.4	0.8			
<b>S35</b> 3 1/2" Diameter Straight Steel Pole	Ø7 3/4"	4.4	2.8	1.9	1.2	0.6			

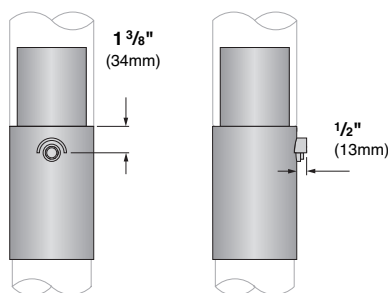
<sup>1</sup>Other pole configurations available, consult factory.      <sup>2</sup>EPA Calculations allow for 1.3 Gust Factor

Effective Projected Area of Single Luminaire = 0.92 ft<sup>2</sup> (0.09m<sup>2</sup>) / Weight of Luminaire = 35.0 lbs (15.9kg)

Effective Projected Area of Double Luminaire = 2.37 ft<sup>2</sup> (0.22m<sup>2</sup>) / Weight of Double Luminaire (includes arms) = 94.0 lbs (42.6kg)

## Optional Accessories

**Photo Cell Tenon (PCT)** - Button type photocell mounted in cast aluminum pole top tenon. Tenon has integral cast visor to prevent false start/stop cycle and can be oriented for optimum performance. Refer to fixture spec sheet to determine if this option is applicable.



**GFCI Receptacle (REC)** - GFCI duplex receptacle with cast base bolted to pole and gasketed, provided with weather-proof, self-closing cover; located 36" (915mm) from base of pole, inline with handhole. Receptacle is intended only for portable tools or other portable equipment to be connected to outlet only when attended by operating personnel.

