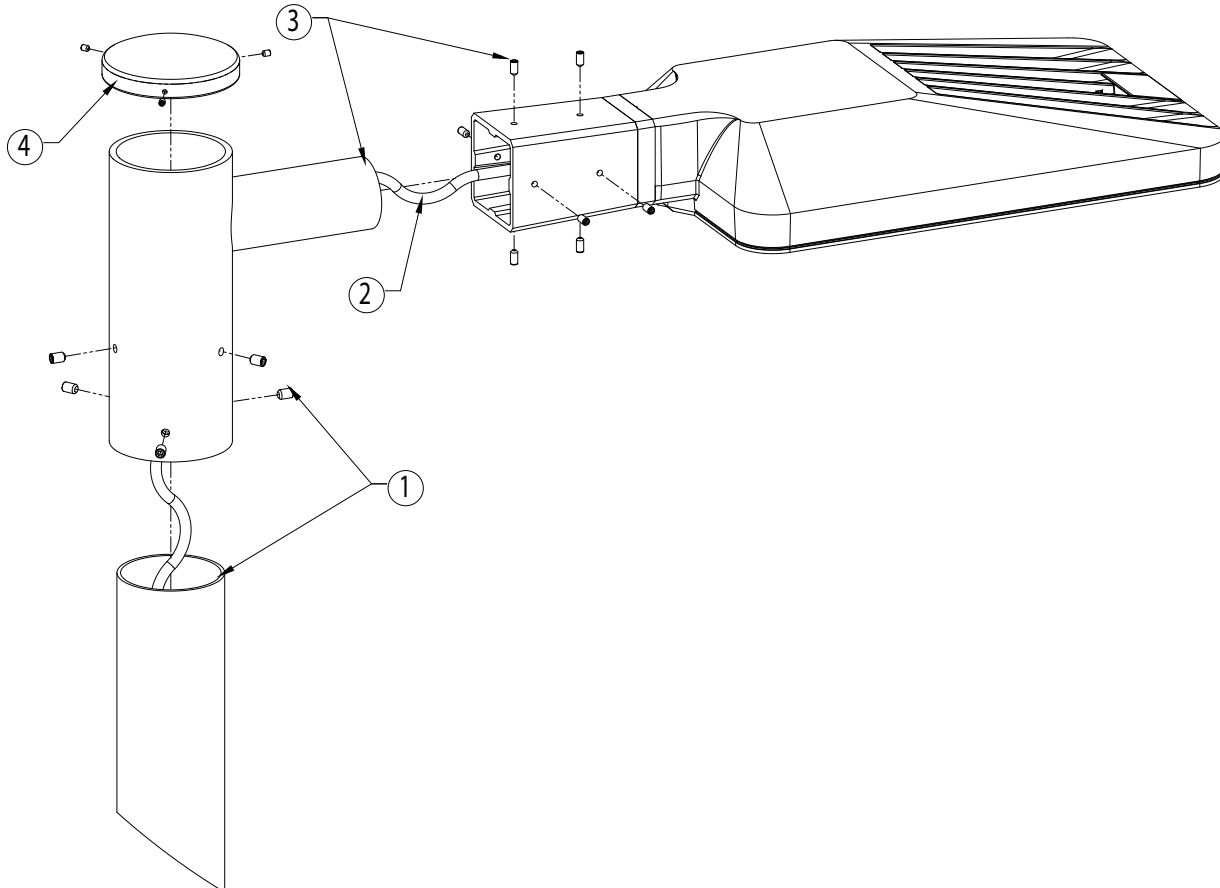


Step # Tools Required (not included)

- ① 4mm Allen Wrench
- ③ 3mm Allen Wrench
- ④ 2mm Allen Wrench
- ⑤ #10 Spanner Head Driver

Installation Steps

1. **(For S1, S2, L1, and L2 mounting only)** Place mounting arm over 3.5" pole or tenon. Tighten (6) set screws.
2. Run feed cord through mounting arm into pole. (Luminaire does not need to be opened; it ships ready to install).
3. Place Slip Fitter over 60mm mounting tube, level luminaire and tighten (8) set screws.
4. **(For S1, S2, L1, and L2 mounting only)** Replace cap on mounting arm and tighten (3) set screws.
5. Loosen handhole cover screws and remove handhole Cover. Connect feed cord from the luminaire to the line voltage feed (supplied by others). See wiring diagrams on page 8 for proper installation.
6. Replace handhole Cover and test Luminaire.



	<p>CAUTION</p> <p>LED Radiation. Do NOT stare into Beam. Can cause eye damage. Do not operate while LEDs are exposed.</p>		<p>DANGER</p> <p>Hazardous voltage. Contact will cause electric shock or burn. Only work on de-energized equipment. Disconnect power before wiring fixture.</p>		<p>NOTICE</p> <p>Do not touch LED May damage device Observe precautions for handling electrostatic sensitive devices.</p>
--	--	--	---	--	--

Ouray LED

Installation Instructions: SB, SQ, and SA Mounting

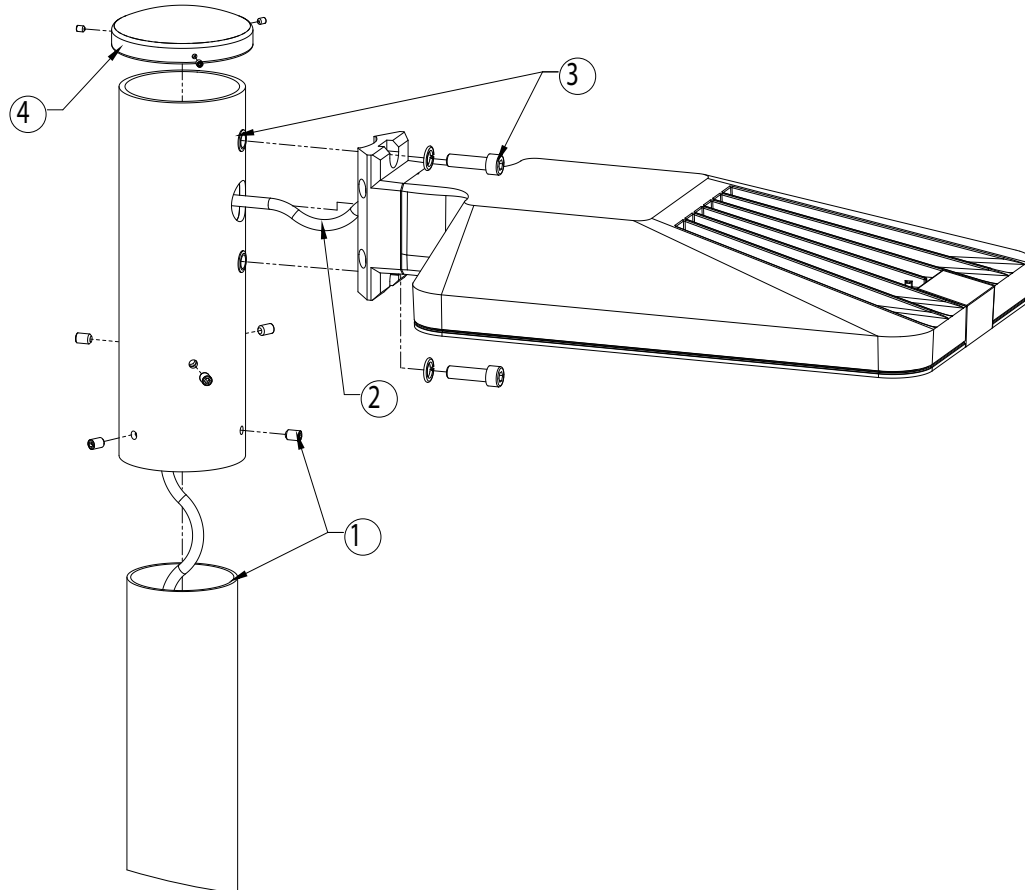
selux

Step # Tools Required (not included)

- ① 4mm Allen Wrench
- ③ 7mm Allen Wrench
- ④ 2mm Allen Wrench
- ⑤ #10 Spanner Head Driver

Installation Steps

1. **(For SA mounting only)** Place mounting arm over 3.5" pole or tenon. Tighten (6) set screws.
2. Run feed cord into pole. (Luminaire does not need to be opened; it ships ready to install).
3. Align pole mounting bracket with (2) rivet nuts and install (2) mounting bolts.
4. **(For SA mounting only)** Replace cap on mounting arm and tighten (3) set screws.
5. Loosen handhole cover screws and remove handhole Cover. Connect feed cord from the luminaire to the line voltage feed (supplied by others). See wiring diagrams on page 8 for proper installation.
6. Replace handhole Cover and test Luminaire.

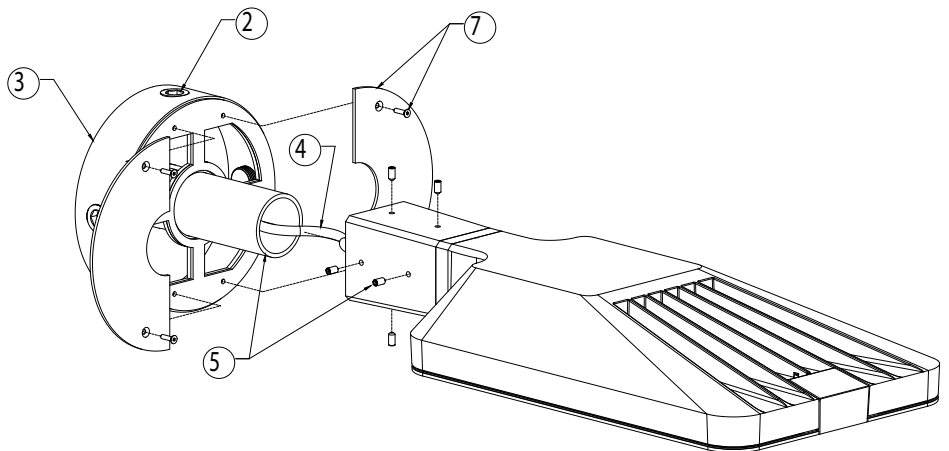
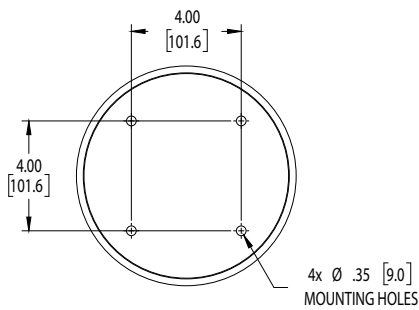


Step # Tools Required (not included)

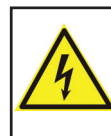
- ③ RTV Silicone
- ⑤ 3mm Allen Wrench
- ⑦ 2.5mm Allen Wrench

Installation Steps

1. Mount Wall Box to mounting surface (provided by others) using (4) mounting screws (provided by others).
2. Connect external conduit (provided by others) to Wall Box through (1 to 4) ½" NPT ports.
3. Apply RTV silicone, or similar, around perimeter of box to seal the back of box to the mounting surface.
4. Run feed cord through mounting arm into box. (Luminaire does not need to be opened; it ships ready to install).
5. Place Slip Fitter over 60mm mounting tube, level luminaire and tighten (8) set screws.
6. Connect feed cord from the luminaire to the line voltage feed (supplied by others). See wiring diagrams on page 8 for proper installation.
7. Replace (2) Wall Box Doors using (4) flat head screws and test Luminaire.



CAUTION
LED Radiation.
Do NOT stare into Beam.
Can cause eye damage.
Do not operate while LEDs
are exposed.



DANGER
Hazardous voltage.
Contact will cause
electric shock or burn.
Only work on de-energized
equipment. Disconnect
power before wiring fixture.



NOTICE
Do not touch LED
May damage device
Observe precautions for
handling electrostatic
sensitive devices.

Ouray LED

Installation Instructions: W Mounting

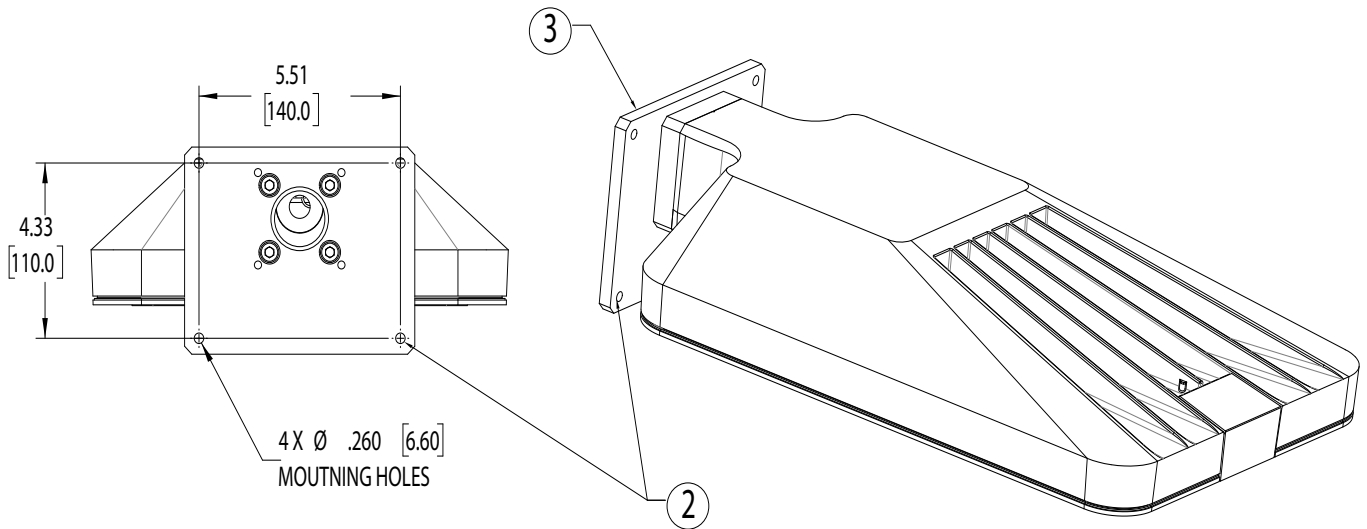
selux

Step # Tools Required (not included)

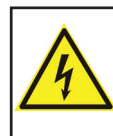
- ③ RTV Silicone

Installation Steps

1. Connect feed cord from the luminaire to the line voltage feed (supplied by others). See wiring diagrams on page 8 for proper installation. (Luminaire does not need to be opened; it ships ready to install).
2. Mount Wall Plate to mounting surface over junction box (provided by others) using (4) mounting screws (provided by others).
3. Apply RTV silicone, or similar, around perimeter of Wall Plate to seal the back of plate to the mounting surface.
4. Test Luminaire.



CAUTION
LED Radiation.
Do NOT stare into Beam.
Can cause eye damage.
Do not operate while LEDs
are exposed.



DANGER
Hazardous voltage.
Contact will cause
electric shock or burn.
Only work on de-energized
equipment. Disconnect
power before wiring fixture.



NOTICE
Do not touch LED
May damage device
Observe precautions for
handling electrostatic
sensitive devices.

Ouray LED

Installation Instructions: AT and AS Adjustment

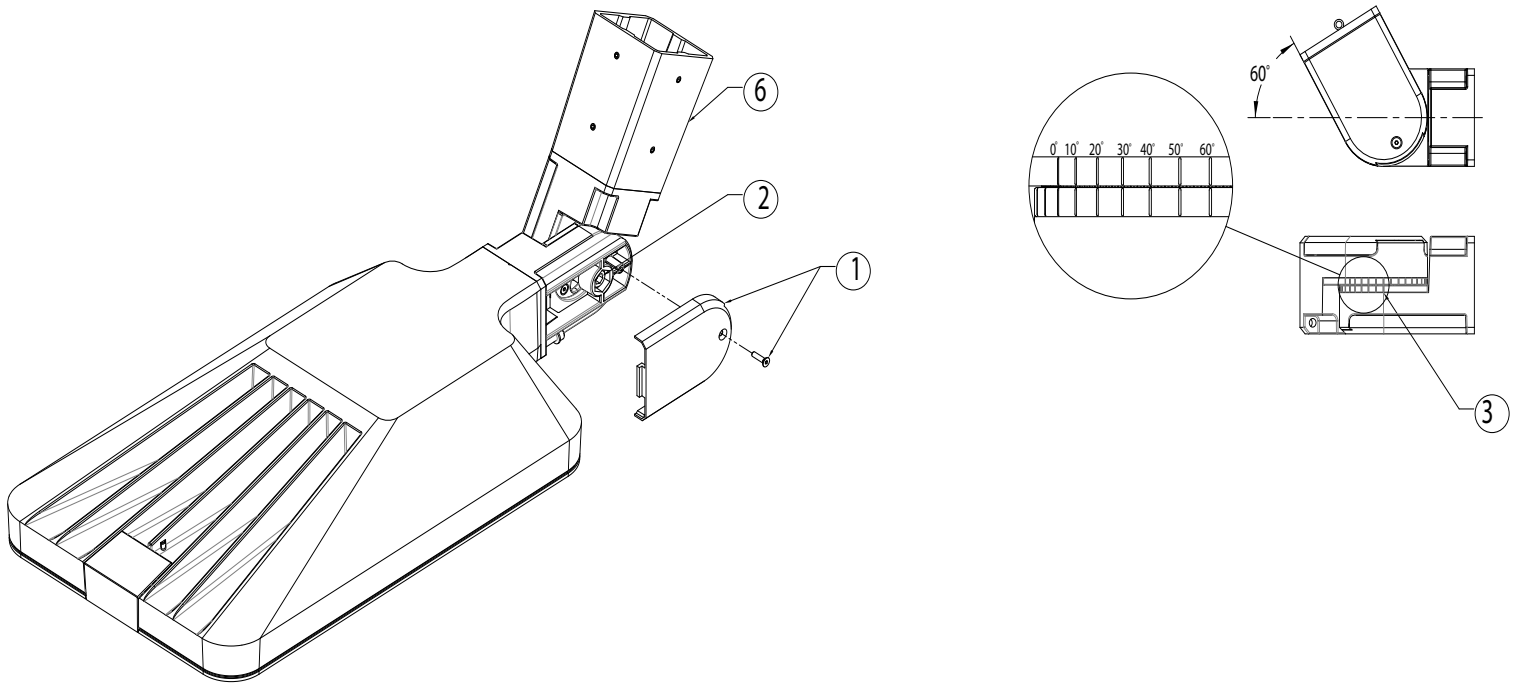
selux

Step # Tools Required (not included)

- ① ⑤ 2.5mm Allen Wrench
- ② ④ 8mm Allen Wrench

Installation Steps

1. Access the Pivot Bolt by removing door cover and (1) mounting screw.
2. Loosen, but do not remove, the Pivot Bolt.
3. Rotate Adjustable Arm halves to desired position. The arm is adjustable in 2.5° increments. Reference tick marks on mounting plate which indicate 10° increments.
4. Tighten Pivot Bolt when Adjustable Arms are in the desired position.
5. Reinstall door cover by replacing (1) mounting screw.
6. Adjustable Mounting ships attached to Fixed Mounting (shown as 60mm Slip Fitter). Refer to Fixed Mounting specific instructions for mounting and wiring.



	<p>CAUTION</p> <p>LED Radiation. Do NOT stare into Beam. Can cause eye damage. Do not operate while LEDs are exposed.</p>		<p>DANGER</p> <p>Hazardous voltage. Contact will cause electric shock or burn. Only work on de-energized equipment. Disconnect power before wiring fixture.</p>		<p>NOTICE</p> <p>Do not touch LED May damage device Observe precautions for handling electrostatic sensitive devices.</p>
---	--	---	--	---	--

Ouray LED

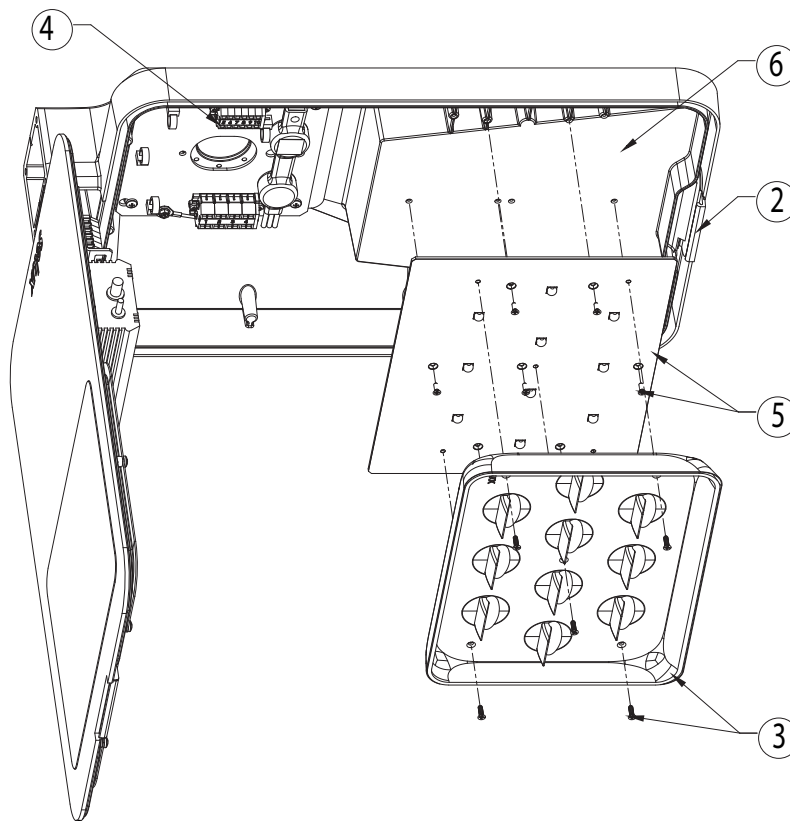
Light Engine and Driver Maintenance

selux

Step # Tools Required (not included)

- ③ ⑤ Phillips Head Screwdriver
- ④ ⑧ Terminal Block Screwdriver
- ⑥ Phase Change Thermal Compound)for 5G105 and 5G140 - Consult Selux for Specification
- ⑦ Thread-lock Compound (Permabond MM115 or equivalent)

1. Disconnect and lock-out luminaire from line voltage.
2. Open luminaire with toolless entry latch.
3. Remove Polycarbonate lens holder by removing (4-8) mounting screws. *Skip steps 4 through 7 when only performing optic/faceplate maintenance.
4. Disconnect PCB wires from LED+ and LED- terminals.
5. Remove PCB by removing (4-8) mounting screws.
6. For 5G105 and 5G140 apply new layer of Thermal Compound on PCB mounting surface.
7. Install new PCB by fastening (4-8) mounting screws with thread-lock compound.
8. Reconnect PCB wires to LED+ and LED- terminals.
9. Install existing or new lens holder by fastening (4-8) mounting screws. Inspect O-rings on mounting screws before installation and replace as required.
10. Close the luminaire with toolless entry latch.
11. Reconnect luminaire to line voltage and test.



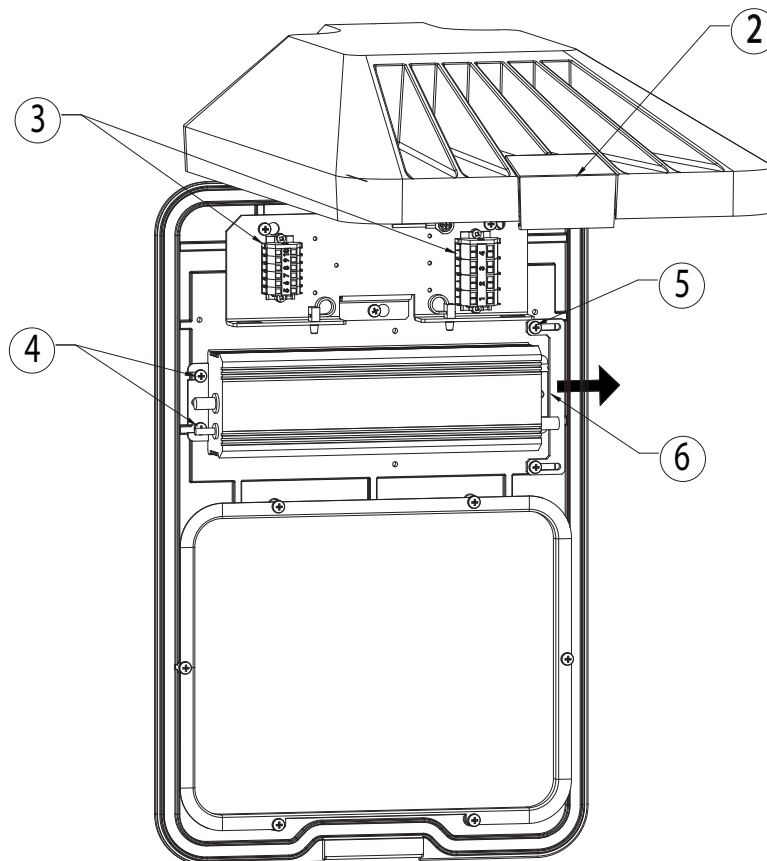
Ouray LED Driver Replacement



Step # Tools Required (not included)

- ③ Terminal Block Screwdriver
- ④ ⑤ Phillips Head Screwdriver

1. Disconnect and lock-out luminaire from line voltage.
2. Open luminaire with toolless entry latch.
3. Remove Polycarbonate lens holder by removing (4-8) mounting screws. *Skip steps 4 through 7 when only performing optic/faceplate maintenance.
4. Disconnect PCB wires from LED+ and LED- terminals.
5. Remove PCB by removing (4-8) mounting screws.
6. For 5G105 and 5G140 apply new layer of Thermal Compound on PCB mounting surface.
7. Install new PCB by fastening (4-8) mounting screws with thread-lock compound.
8. Reconnect PCB wires to LED+ and LED- terminals.
9. Install existing or new lens holder by fastening (4-8) mounting screws. Inspect O-rings on mounting screws before installation and replace as required.
10. Close the luminaire with toolless entry latch.
11. Reconnect luminaire to line voltage and test.

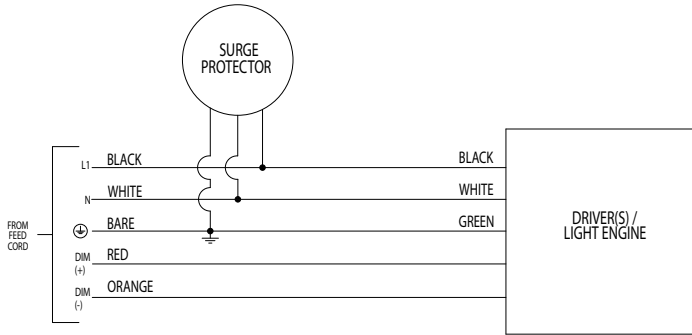


Ouray LED

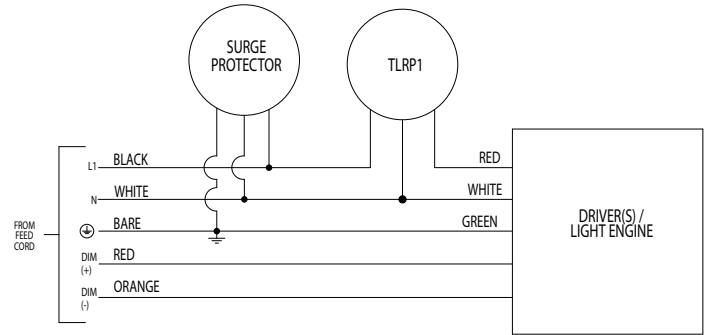
Reference Terminal Labels Inside Luminaire



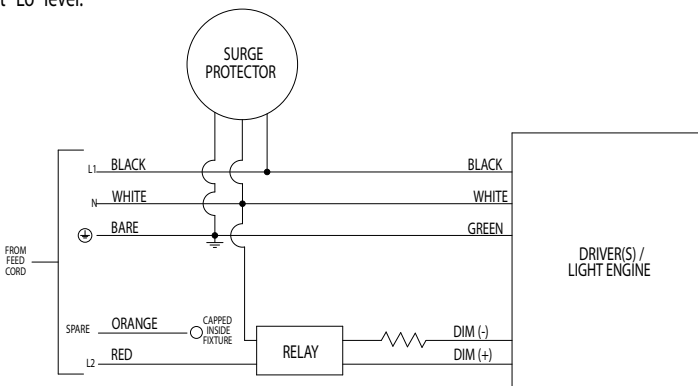
Standard Wiring (120V-480V)*



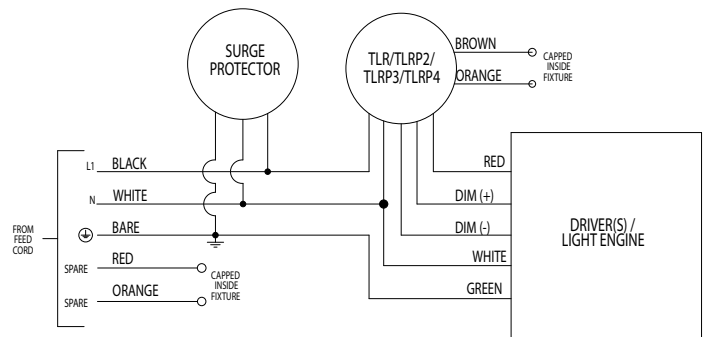
TLRP1 Wiring (120V/240V/277V)



Hi-Lo Switching Option (HL30/HL50) Wiring
120/240/277V. When red is energized, light output will be at "Lo" level.



TLR/TLRP2/TLRP3/TLRP4 Wiring (120V-480V)*



*(347/480V with 5G350 has a transformer - not shown)

	<p>CAUTION LED Radiation. Do NOT stare into Beam. Can cause eye damage. Do not operate while LEDs are exposed.</p>	<p>DANGER Hazardous voltage. Contact will cause electric shock or burn. Only work on de-energized equipment. Disconnect power before wiring fixture.</p>	<p>NOTICE Do not touch LED May damage device Observe precautions for handling electrostatic sensitive devices.</p>
--	---	---	---