

Date: _____ Customer: _____
 Project: _____
 Type: _____ Qty: _____



Olivio Piccolo LED



Order Code: OLPL - _____ - _____ - _____ - _____ - _____ - _____

<u>OLPL</u>	Series	OLPL Olivio Piccolo LED				
	Optics	S09 Spot, 11°	F40 Flood Medium, 45°	F80 Flood Wide, 74°		
	Mounting	U Universal				
	Light Engine	L14 14W nominal	L7 7W nominal			
	CCT	30 3000K	40 4000K			
	Finish	WH White	BK Black	BZ Bronze	SV Silver	SP Specify Premium Color
	Voltage	120	208	240	277	
	Options	DS ¹ Dark Sky 0° Tilt Option	SLH Spread Lens Horizontal (fixed)	SLV Spread Lens Vertical (fixed)	¹ IDA certified "Dark Sky Friendly"	

Product Modifications

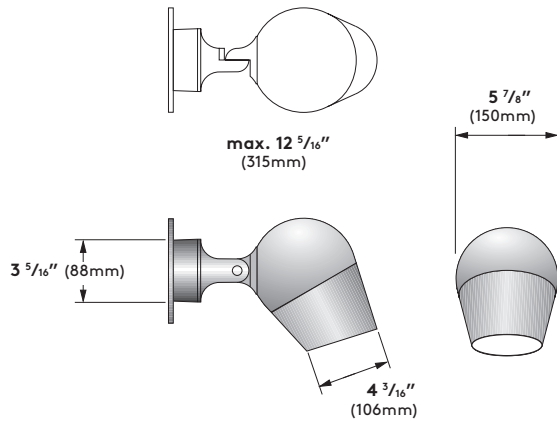
Please list modification requirements for review by factory:

Approvals



Date: _____

OLPL-U



Specifications

1. Luminaire Housing - Two piece high pressure die cast housing, made of low copper aluminum alloy. Single recessed captive screw allows easy access to light engine & gear tray components.

2. Gasketing - (not shown) UV and ozone-resistant, silicone gasket between fixture housing and lens base provide IP67 level ingress protection. IP rated micro-membrane ensures pressure compensation.

3. Lens - Tempered clear glass lens.

4. LED Light Engine - (not shown) made from high flux COB and vacuum metalized aluminum reflectors. Selux is using brand name LED manufacturers. Available in 3000K and 4000K, CRI minimum 80. Reflectors made from high purity aluminum to ensure high efficiencies throughout lifetime. Complete light engine can be removed easily for future upgrade. LED light engine provides a reported lumen maintenance of 82.69% at 60,000 hours. L70 calculated greater than 60,000 hours.

5. LED Driver - Selux uses brand name high efficiency LED drivers. LEDs are driven by RoHS compliant high-efficiency driver. Excellent for

cold temperature starting and instant on. Min. operating temperature -30°C/ -22°F.

5. Power Cord - (not shown) Pre-installed at factory and fed hidden through the luminaire hinge and hinge arm. Power cords are specified to fit the length of the pole specified with the luminaire.

Exterior Luminaire Finish -

Selux utilizes a high quality Polyester Powder Coating. All Selux luminaires and poles are finished in our Tiger Drylac certified facility and undergo a five stage intensive pretreatment process where product is thoroughly cleaned, phosphated and sealed. Selux powder coated products provide excellent salt and humidity resistance as well as ultra violet resistance for color retention. All products are tested in accordance with test specifications for coatings from ASTM and PCI.

Standard exterior colors are White (WH), Black (BK), Bronze (BZ), and Silver (SV). Selux premium colors (SP) are available, please specify from your Selux color selection guide. Hot Dip Galvanized finish (GV) on all steel parts also available.

5 Year Limited LED Luminaire Warranty -

Selux offers a 5 Year Limited Warranty to the original purchaser that the Olivio Piccolo LED Solar luminaire shall be free from defects in material and workmanship for up to five (5) years from date of shipment. This limited warranty covers the LED driver and LED array when installed and operated according to Selux instructions. Fixture suitable for ambient temperature of 35° C (95° F).

OLIVIO LED suitable for ambient temperatures of 35°C (95°F). Minimum operating temperature of luminaire at -30°C (-22°F).

NRTL Listed for wet location (i.e. UL, CSA)

Visit selux.us for our LED End of Life recycling policy.

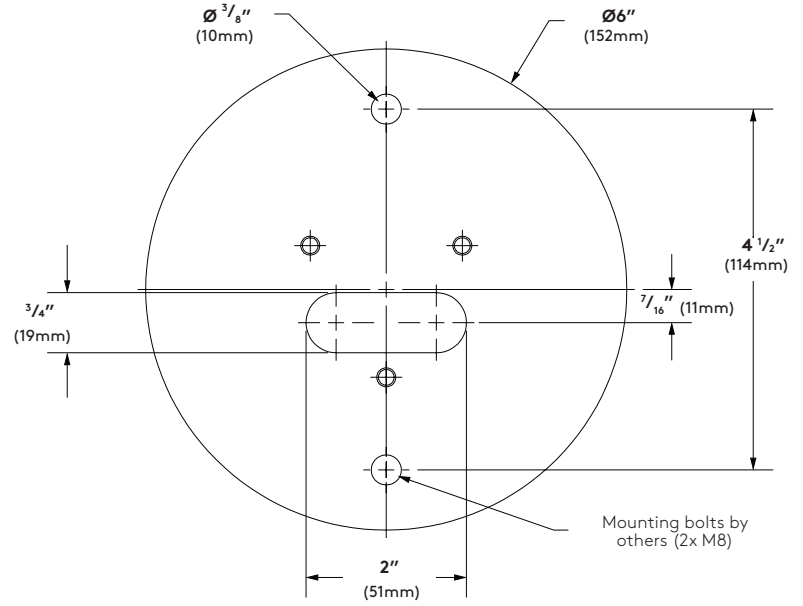
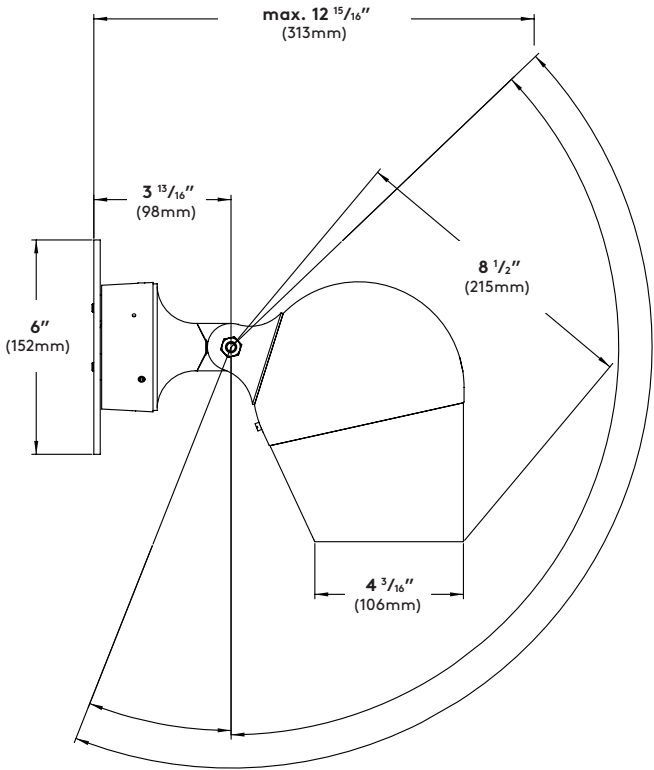
Lumen Output for OLPL

Olivio Piccolo LED	S09	F40	F80
3000K CRI>80	1038 lm CBCP 12433cd	1034 lm CBCP 1579cd	1004 lm CBCP 692.9cd
4000K CRI>80	1108 lm CBCP 13263.4cd	1103 lm CBCP 1684.7cd	1072 lm CBCP 739.2cd

CCT Multiplier	
4000K	1.000
3000K	0.986

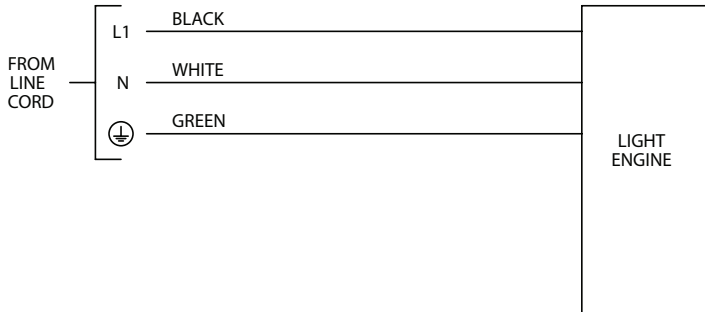
Universal Surface Mounting (U)

Wall Plate Details



Weight: 11lbs. (5kg.)

Standard Single Wiring



Selux Corporation

LED lighting facts
A Program of the U.S. DOE

Light Output (Lumens)	1093
Watts	14.22
Lumens per Watt (Efficacy)	76.9

Color Accuracy <small>Color Rendering Index (CRI)</small>	83
---	-----------

Light Color <small>Correlated Color Temperature (CCT)</small>	3947 (Bright White)
---	----------------------------

2700K 3000K 4500K 6500K

LED Lumen Maintenance Projection <small>at 36,000 Hours at 40°C Ambient*</small>	88.93%
Warranty**	Yes

All results, except LED Lumen Maintenance, are according to IESNA LM-79-2008: Approved Method for the Electrical and Photometric Testing of Solid-State Lighting. The U.S. Department of Energy (DOE) verifies product test data and results.

* Based on TM-21 projections for the light source.
** See www.lightingfacts.com/products for details.

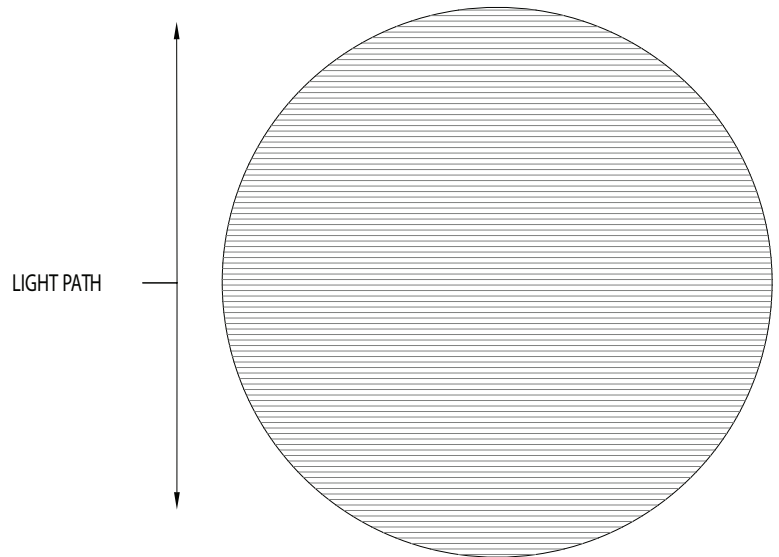
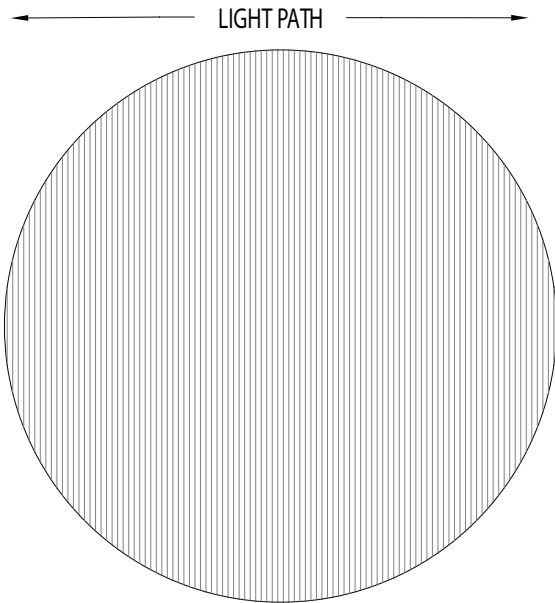
Registration Number: WVZA-TZSC1D (7/8/2015)
Model Number: OLPL-S09-L14-40-120
Type: Luminaire - Directional

Options

Dark Sky 0° Tilt Option (DS) -Luminaire head tilt angle preset and fixed at factory to comply with IDA Dark Sky and BUG U0 ratings.

Horizontal spread lens (SLH) - Spread lens for horizontal light distribution. Replaces clear lens and intended to be used with reflectors for S09, F40 or F80 distribution. Preset and fixed at factory.

Vertical spread lens (SLV) - Spread lens for vertical light distribution. Replaces clear lens and intended to be used with reflectors for S09, F40 or F80 distribution. Preset and fixed at factory.

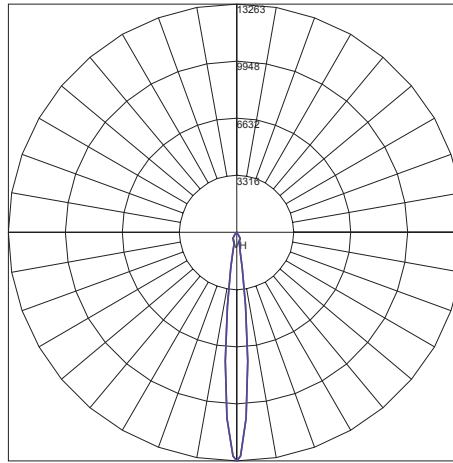


Photometry

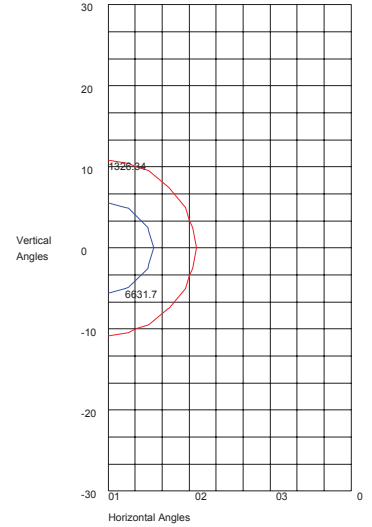
S09 / 14W LED / 4000K CCT

Catalog #: OLPL-S09-L14-40-120
 Delivered Lumens: 1108
 Input Watts: 14W
 CRI: >83.5
 Maximum candela of 13263.4
 Maximum candela angle: 0H x 0V
 NEMA Classification: 2H x 2V
 Power Factor: 0.984
 Total Harmonic Distortion: 5.11%

[Link to photometry \(PDF\)](#)
[Link to photometry \(IES\)](#)



Maximum Candela = 13263.4 Located At Horizontal Angle = 0, Vertical Angle = 0
 H - Horizontal Axial Candela
 V - Vertical Axial Candela

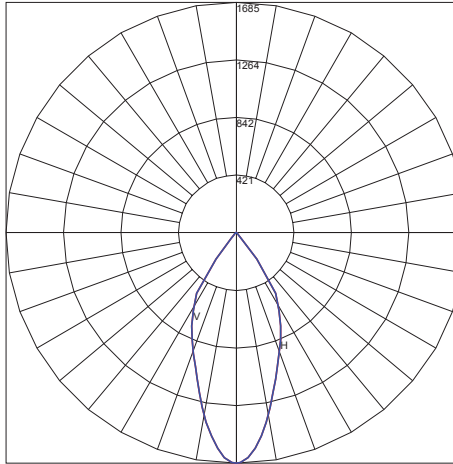


Maximum Candela = 13263.4 Located At Horizontal Angle = 0, Vertical Angle = 0
 50% Maximum Candela = 6631.7
 10% Maximum Candela = 1326.34

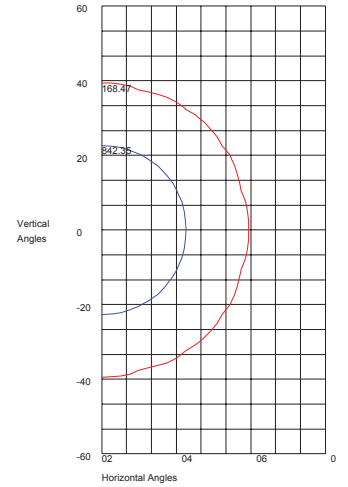
F40 / 14W LED / 4000K CCT

Catalog #: OLPL-F40-L14-40-120
 Delivered Lumens: 1103
 Input Watts: 14W
 CRI: >83.5
 Maximum candela of 1684
 Maximum candela angle: 0H x 0V
 NEMA Classification: 5H x 5V
 Power Factor: 0.984
 Total Harmonic Distortion: 5.11%

[Link to photometry \(PDF\)](#)
[Link to photometry \(IES\)](#)



Maximum Candela = 1684.7 Located At Horizontal Angle = 0, Vertical Angle = 0
 H - Horizontal Axial Candela
 V - Vertical Axial Candela

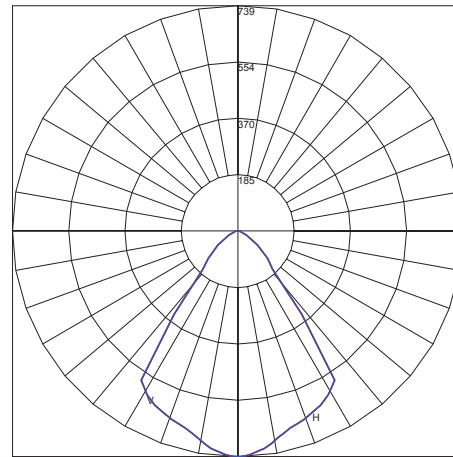


Maximum Candela = 1684.7 Located At Horizontal Angle = 0, Vertical Angle = 0
 50% Maximum Candela = 842.35
 10% Maximum Candela = 168.47

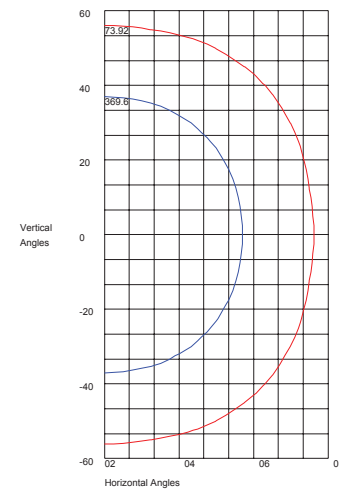
F80 / 14W LED / 4000K CCT

Catalog #: OLPL-F80-L14-40-120
 Delivered Lumens: 1072
 Input Watts: 14W
 CRI: >83.5
 Maximum candela of 739.2
 Maximum candela angle: 0H x 0V
 NEMA Classification: 6H x 6V
 Power Factor: 0.984
 Total Harmonic Distortion: 5.11%

[Link to photometry \(PDF\)](#)
[Link to photometry \(IES\)](#)



Maximum Candela = 739.2 Located At Horizontal Angle = 0, Vertical Angle = 0
 H - Horizontal Axial Candela
 V - Vertical Axial Candela



Maximum Candela = 739.2 Located At Horizontal Angle = 0, Vertical Angle = 0
 50% Maximum Candela = 369.6
 10% Maximum Candela = 73.92