

Date: _____ Customer: _____
 Project: _____
 Type: _____ Qty: _____



Olivio Medio LED



Order Code: OLML - _____ - _____ - _____ - _____ - _____ - _____ - _____

Pole Order Code: _____ - _____ - _____ - _____
 Series Height Finish Options

<u>OLML</u>	Series	OLML Olivio Medio LED				
	Optics	S09 Spot, 9°	F40 Medium, 41°	F80 Flood, 78°	ASM Asymmtric (no SLH or SLV option)	
	Mounting	U Universal	T1 Single Pole Top			
	Light Engine	L46 46W nominal	L23 23W nominal			
	CCT	30 3000K	40 4000K			
	Finish	WH White	BK Black	BZ Bronze	SV Silver	SP Specify Premium Color
	Voltage	120	208	240	277	
	Options	DS ¹ Dark Sky 0° Tilt Option	DM ² Dimming, 0-10V	SLH Spread Lens Horizontal (fixed)	SLV Spread Lens Vertical (fixed)	20kA 20kA Surge Supression

¹ IDA certified "Dark Sky Friendly" for Universal Mounting Only

² Only available with L46

Product Modifications

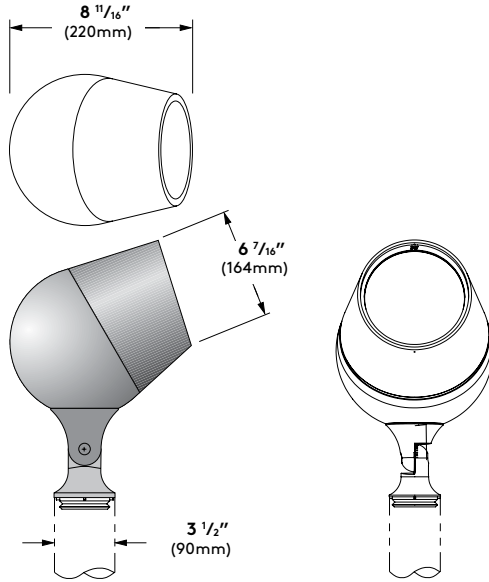
Please list modification requirements for review by factory:

Approvals



Date: _____

OLML-T1



Specifications

1. Luminaire Housing - Two piece high pressure die cast housing, made of low copper aluminum alloy. Single recessed captive screw allows easy access to light engine & gear tray components.

2. Gasketing - (not shown) UV and ozone-resistant silicone gasket between fixture housing and lens base provide IP67 level ingress protection. IP rated micro-membrane ensures pressure compensation.

3. Lens - (not shown) Tempered clear glass lens.

4. LED Light Engine - (not shown) made from high flux COB and vacuum metalized aluminum reflectors. Selux is using brand name LED manufacturers. Available in 3000K and 4000K, CRI minimum 80. Reflectors made from high purity aluminum to ensure high efficiencies throughout lifetime. Complete light engine can be removed easily for future upgrade. LED light engine provides a reported lumen maintenance of 84.3% at 60,000 hours. L70 calculated greater than 60,000 hours.

6. LED Driver - (not shown) Selux uses brand name high efficiency LED drivers. LEDs are driven by RoHS compliant high-efficiency driver. Excellent for cold temperature starting and instant

on. Min. operating temperature -40°C/ -40°F.

7. Surge Protector - (not shown) Designed to protect luminaire from electrical surge up to 10kA. Surge protection up to 20kA optional.

8. Power Cord - (not shown) Pre-installed at factory and fed hidden through the luminaire hinge and hinge arm. Power cords are specified to fit the length of the pole specified with the luminaire.

Exterior Luminaire Finish -

Selux utilizes a high quality Polyester Powder Coating. All Selux luminaires and poles are finished in our Tiger Drylac certified facility and undergo a five stage intensive pretreatment process where product is thoroughly cleaned, phosphated and sealed. Selux powder coated products provide excellent salt and humidity resistance as well as ultra violet resistance for color retention. All products are tested in accordance with test specifications for coatings from ASTM and PCI.

Standard exterior colors are White (WH), Black (BK), Bronze (BZ), and Silver (SV). Selux premium colors (SP) are available, please specify from your Selux color selection guide. Hot Dip Galva-

nized finish (GV) on all steel parts also available.

5 Year Limited LED Luminaire Warranty - Selux offers a 5 Year Limited Warranty to the original purchaser that the Olivio Medio LED Solar luminaire shall be free from defects in material and workmanship for up to five (5) years from date of shipment. This limited warranty covers the LED driver and LED array when installed and operated according to Selux instructions. Fixture suitable for ambient temperature of 40° C (104° F).

Listings and Ratings: Luminaire and LED tested to IP67 and IESNA LM-79-08 standards. LED tested to LM-80 standards. Luminaire and LED tested at 25°C ambient temperature.

OLIVIO LED suitable for ambient temperatures of 40°C (104°F). Minimum operating temperature of luminaire at -40°C (-40°F).

NRTL Listed for wet location (i.e. UL, CSA)

Visit selux.us for our LED End of Life recycling policy.

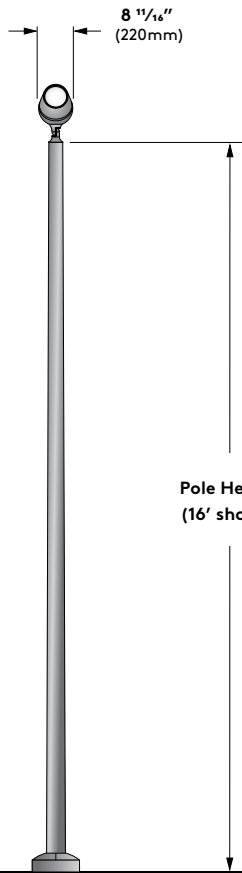
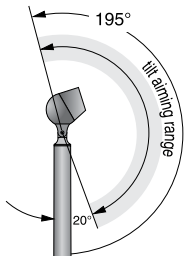
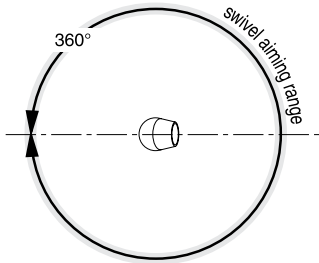
Lumen Output for OLML

Olivio Medio LED	S09	F40	F80	ASM
3000K CRI>80	3208 lm CBCP 46602.8 cd	3263 lm CBCP 5273.9 cd	3010 lm CBCP 2052 cd	2068 lm CBCP 1678 cd
4000K CRI>80	3252 lm CBCP 47253cd	3308 lm CBCP 5347.6cd	3052 lm CBCP 2080.7cd	2820 lm CBCP 1970cd

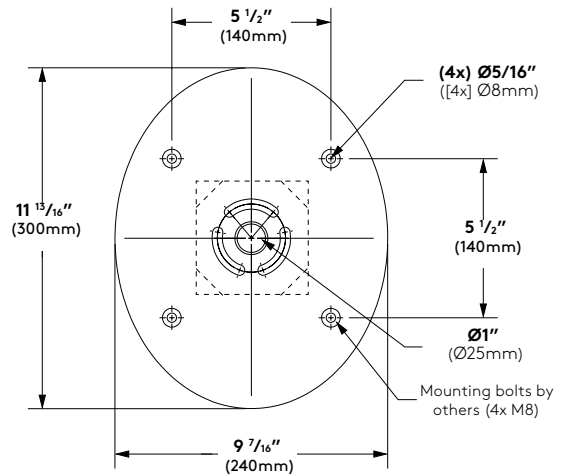
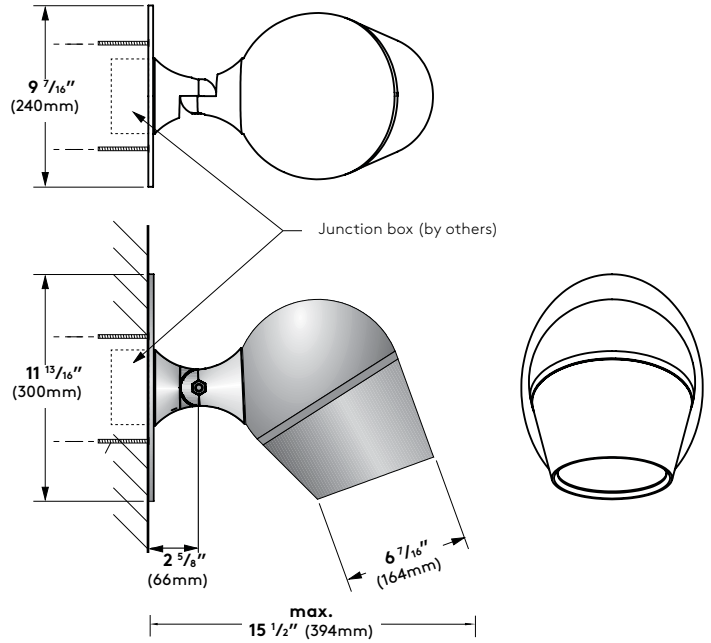
Mounting

Single Pole Top (T1)

EPA = 0.7 ft² (0.065 m²)
 Weight = 17 lbs. (7.7 kg)



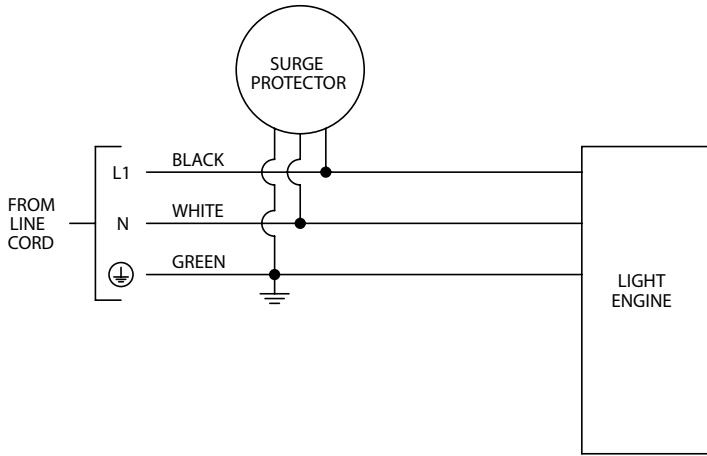
Universal Surface Mounting (U)



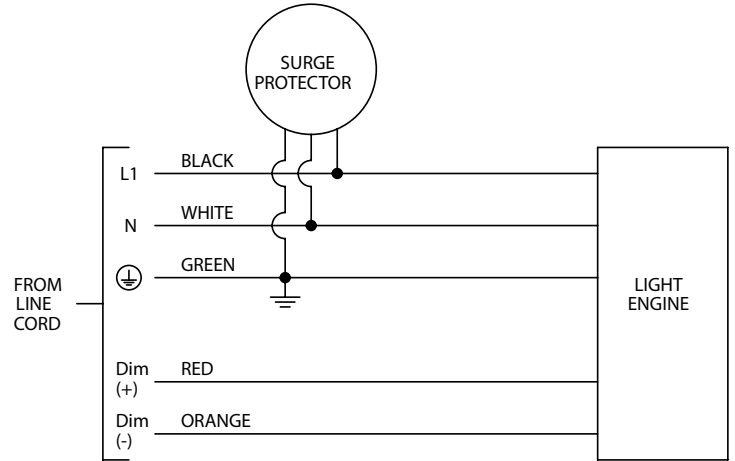
Note: Wall plate is mounted to surface structure and over junction box (by others)

Wiring

Standard Single Wiring



0-10V Dimming Option (DM) Wiring L46, 120-277V.

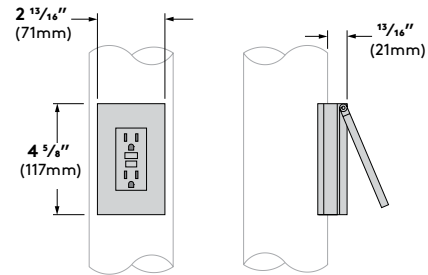


Options

Dark Sky 0° Tilt Option (DS) -Luminaire head tilt angle preset and fixed at factory to comply with IDA Dark Sky and BUG U0 ratings.

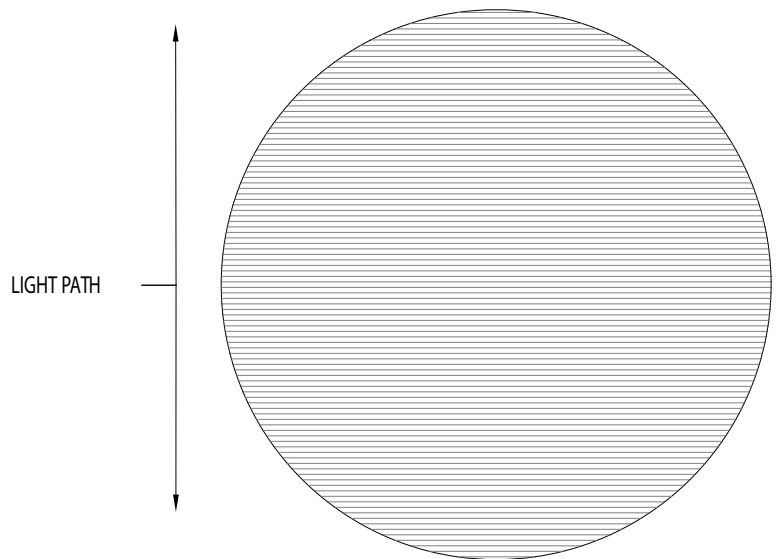
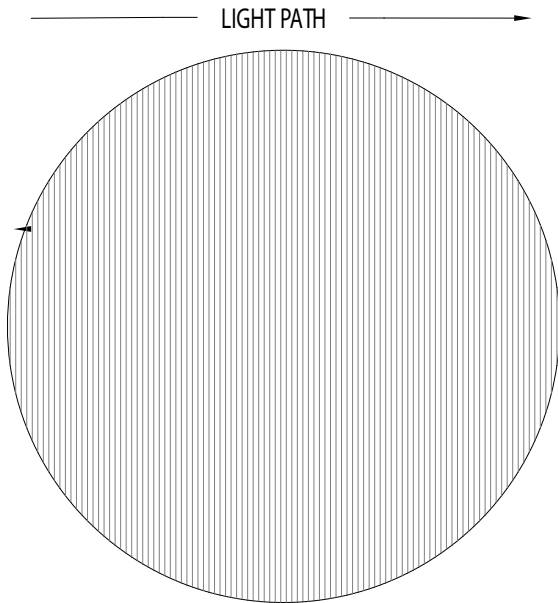
20kA Surge Protection (20kA) - Designed to protect luminaire from electrical surge up to 20kA.

GFCI Receptacle (REC) - 120V GFCI duplex receptacle with cast base bolted to pole and gasketed, provided with weather-proof, self-closing cover; located 36" (915mm) from base of pole, inline with handhole. Receptacle is intended only for portable tools or other portable equipment to be connected to outlet only when attended by operating personnel. For in-use cover, please consult factory.



Horizontal spread lens (SLH) - Spread lens for horizontal light distribution. Replaces clear lens and intended to be used with reflectors for S09, F40 or F80 distribution. Preset and fixed at factory.

Vertical spread lens (SLV) - Spread lens for vertical light distribution. Replaces clear lens and intended to be used with reflectors for S09, F40 or F80 distribution. Preset and fixed at factory.



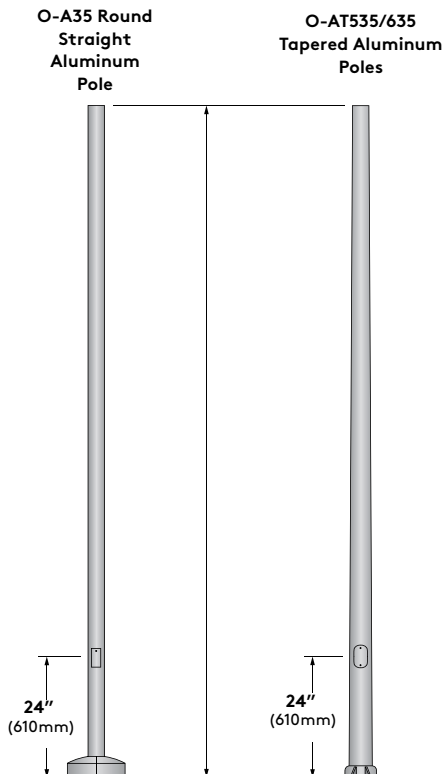
Pole Series	Wall	EPA Information (ft ²)				Height	Finish	Options
		80mph	90mph	100mph	110mph			
O-A35 3 1/2" Round Straight Aluminum Pole	0.197	7.3	5.4	4.0	3.1	12 12 ft.	WH White	BC1 Decorative Cast Aluminum Base Cover (for A35 & S35 poles only)
O-AT535 5" to 3 1/2" Tapered Aluminum Pole	0.156	14.4	10.9	8.6	6.9		BK Black	
O-A35 3 1/2" Round Straight Aluminum Pole	0.197	5.8	4.2	3.0	2.2	14 14 ft.	BZ Bronze	BC3 Die-cast Two-piece Alum. Base cover (for AT535 poles only)
O-AT535 5" to 3 1/2" Tapered Aluminum Pole	0.156	9.4	7.1	5.5	4.4		SV Silver	
O-AT535 5" to 3 1/2" Tapered Aluminum Pole	0.156	7.7	5.6	4.2	3.3	16 16 ft.	SP Specify Premium Color	BC9 Die-cast Base cover (for AT635 poles only)
O-AT535 5" to 3 1/2" Tapered Aluminum Pole	0.188	7.8	5.6	4.2	3.2			
O-AT535 5" to 3 1/2" Tapered Aluminum Pole	0.188	6.4	4.5	3.2	2.4	20 20 ft.	T1 Single Pole Top	¹ Weatherproof cover intended for portable tools or other portable equipment connected to the outlet only when attended. For other requirements, please consult factory.
O-AT635 6" to 3 1/2" Tapered Aluminum Pole	0.188	7.0	4.8	3.4	2.6			

Other pole configurations available, consult factory

EPA Calculations allow for 1.3 Gust Factor

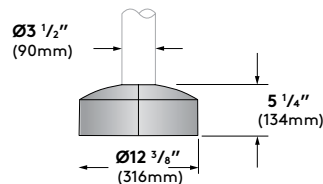
See Mounting Page for fixture w/arm EPA values

Pole Information

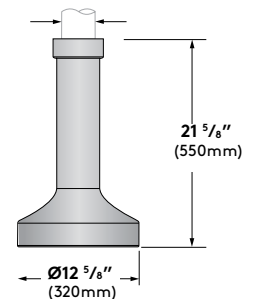


Base Cover Information

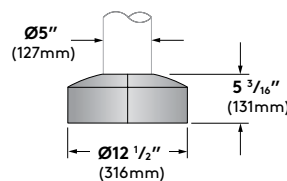
Straight Poles (O-A35) BC5 Standard Base Cover
Two-piece die cast aluminum



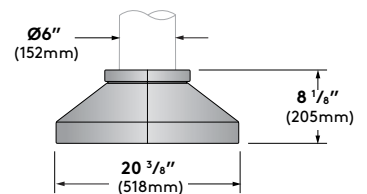
BC1 Optional Base Cover (O-A35)
One-piece die cast aluminum



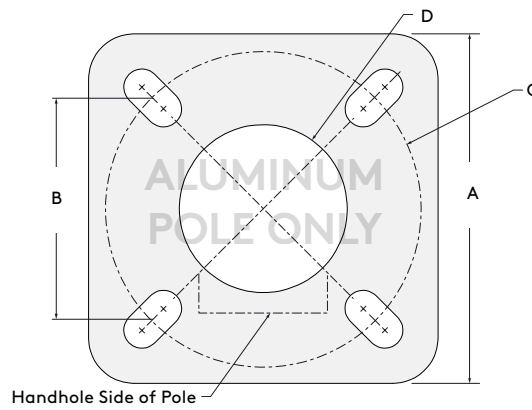
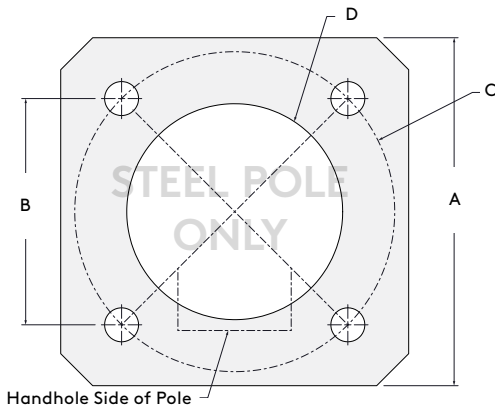
BC3 - Available for:
O-AT535-156
O-AT535-188



BC9 - Available for:
O-AT64-156
O-ST5936-11

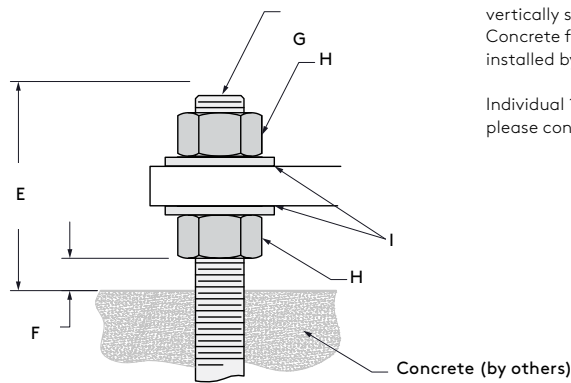


Mounting Plate Detail



Mounting Plate Details	A Base Plate SQ	B Base Plate SQ	C Base Circle Ø	D Conduit Opening Ø
O-A35-197 3.5" Round Straight Alum Pole	8" (203mm)	5 1/2" (139mm)	7 3/4" (197mm)	3" (76mm)
O-AT535-156 5" to 3.5" Round Tapered Alum Pole	9 5/8" (244mm)	6 1/8" (155mm)	8 5/8" (219mm)	4 5/8" (117mm)
O-AT535-188 5" to 3.5" Round Tapered Alum Pole	9 5/8" (244mm)	6 1/8" (155mm)	8 5/8" (219mm)	4 5/8" (117mm)
O-AT635-188 6" to 3.5" Round Tapered Alum Pole	10 5/16" (262mm)	6 11/16" (171mm)	9 1/2" (241mm)	5 1/2" (140mm)

Anchor Bolt Detail



Use caution when setting anchor bolts. Bolts must be vertically straight and centered on dimension shown. Concrete footing and feed conduit to be designed and installed by others.

Individual 1:1 scale drawings for installation available, please consult factory.

All Hardware is Galvanized

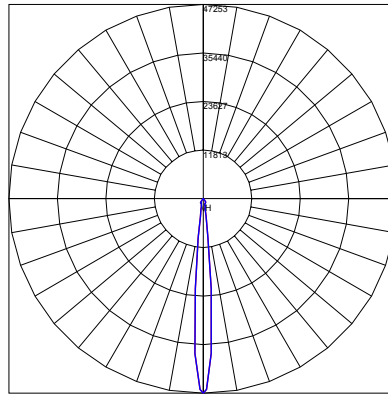
Anchor Bolt Details	E Bolt Projection	F For Leveling	G Anchor Bolt	H Heavy Hex Nut	J Flat Washer
O-A35-197 3.5" Round Straight Alum Pole	3 1/4" (82mm)	1/2" (13mm)	3/4"-10 UNC x 17"	3/4"-10 UNC	3/4" ID
O-AT535-156 5" to 3.5" Round Tapered Alum Pole	3 1/4" (82mm)	1/2" (13mm)	3/4"-10 UNC x 17"	3/4"-10 UNC	3/4" ID
O-AT535-188 5" to 3.5" Round Tapered Alum Pole	3 1/4" (82mm)	1/2" (13mm)	3/4"-10 UNC x 17"	3/4"-10 UNC	3/4" ID
O-AT635-188 6"-3.5" Round Tapered Alum Pole	3 1/2" (89mm)	1/2" (13mm)	3/4"-10 UNC x 17"	3/4"-10 UNC	3/4" ID

Photometry

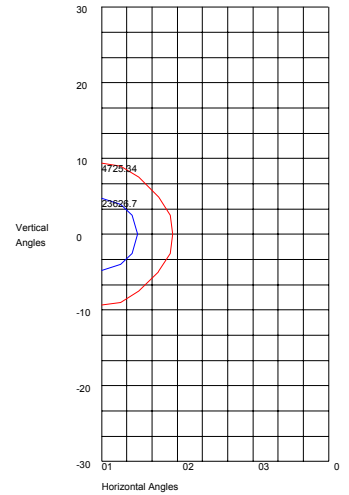
S09 /44W LED / 4000K CCT

Catalog #: OLML-S09-L46-40-120
 Delivered Lumens: 3252
 Input Watts: 44W
 CRI: >83.5
 Maximum candela of 47253.4
 Maximum candela Angle 0H x 0V
 NEMA Classification: 1H x 1V
 Power Factor: 0.989
 Total Harmonic Distortion: 9.23%

[Link to photometry \(PDF\)](#)
[Link to photometry \(IES\)](#)



Maximum Candela = 47253.4 Located At Horizontal Angle = 0, Vertical Angle = 0
 H - Horizontal Axial Candela
 V - Vertical Axial Candela

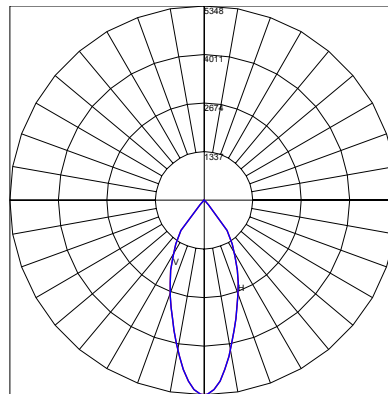


Maximum Candela = 47253.4 Located At Horizontal Angle = 0, Vertical Angle = 0
 50% Maximum Candela = 23626.7
 10% Maximum Candela = 4725.34

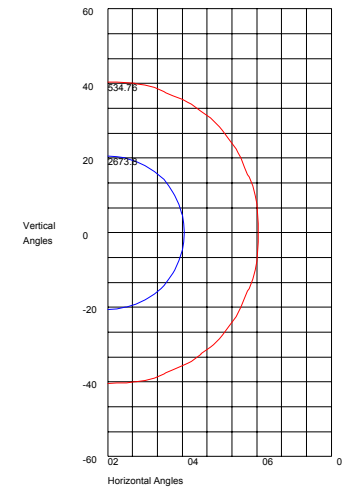
F40 / 44W LED / 4000K CCT

Catalog #: OLML-F40-L46-40-120
 Delivered Lumens: 3308
 Input Watts: 44W
 CRI: >83.5
 Maximum candela of 5347.6
 Maximum candela Angle 0H x 0V
 NEMA Classification: 5H x 5V
 Power Factor: 0.989
 Total Harmonic Distortion: 9.23%

[Link to photometry \(PDF\)](#)
[Link to photometry \(IES\)](#)



Maximum Candela = 5347.6 Located At Horizontal Angle = 0, Vertical Angle = 0
 H - Horizontal Axial Candela
 V - Vertical Axial Candela

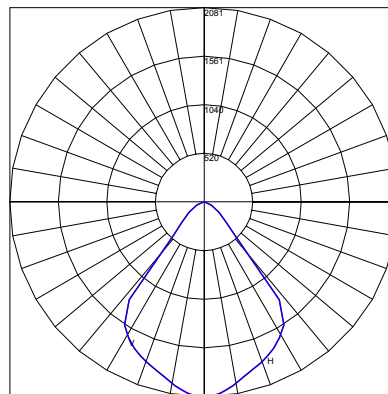


Maximum Candela = 5347.6 Located At Horizontal Angle = 0, Vertical Angle = 0
 50% Maximum Candela = 2673.8
 10% Maximum Candela = 534.76

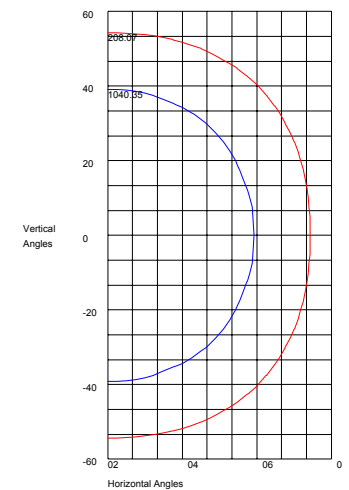
F80 / 44W LED / 4000K CCT

Catalog #: OLML-F80-L46-40-120
 Delivered Lumens: 3052
 Input Watts: 44W
 CRI: >83.5
 Maximum candela of 2080.7
 Maximum candela Angle 0H x 0V
 NEMA Classification: 6H x 6V
 Power Factor: 0.989
 Total Harmonic Distortion: 9.23%

[Link to photometry \(PDF\)](#)
[Link to photometry \(IES\)](#)



Maximum Candela = 2080.7 Located At Horizontal Angle = 0, Vertical Angle = 0
 H - Horizontal Axial Candela
 V - Vertical Axial Candela



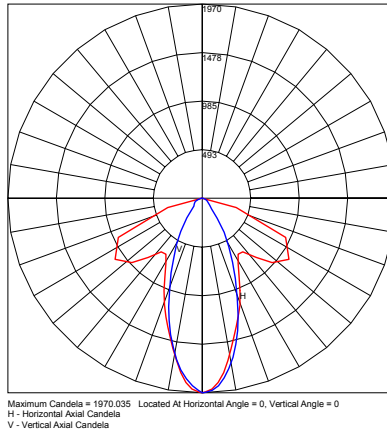
Maximum Candela = 2080.7 Located At Horizontal Angle = 0, Vertical Angle = 0
 50% Maximum Candela = 1040.35
 10% Maximum Candela = 208.07

Photometry

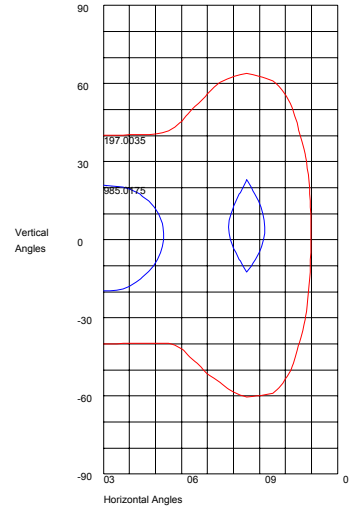
ASM / 44W LED / 4000K CCT

Catalog #: OLML-ASM-L46-40-120
 Delivered Lumens: 2428
 Input Watts: 44W
 CRI: >83.5
 Maximum candela of 1970.035
 Maximum candela Angle 0H x 0V
 NEMA Classification: 7H x 5V
 Power Factor: 0.989
 Total Harmonic Distortion: 9.23%

[Link to photometry \(PDF\)](#)
[Link to photometry \(IES\)](#)



Maximum Candela = 1970.035 Located At Horizontal Angle = 0, Vertical Angle = 0
 H - Horizontal Axial Candela
 V - Vertical Axial Candela



Maximum Candela = 1970.035 Located At Horizontal Angle = 0, Vertical Angle = 0
 50% Maximum Candela = 985.0175
 10% Maximum Candela = 197.0035

CCT Multiplier	
4000K	1.000
3000K	0.986

Conversion Chart	
Values based on 16' (4.9 m) mounting height	
Mounting Height	Multiply
10' (3.0 m)	1.27
12' (3.7 m)	1.16
14' (4.3 m)	1.07
16' (4.9 m)	1.00
18' (5.5 m)	0.84

CCT multipliers apply to the photometry, and IES files.

Selux Corporation

LED lighting facts
A Program of the U.S. DOE

Light Output (Lumens) 3160
Watts 43.96
Lumens per Watt (Efficacy) 71.9

Color Accuracy 81
Color Rendering Index (CRI)

Light Color 3943 (Bright White)
Correlated Color Temperature (CCT)

2700K 3000K 4500K 6500K

LED Lumen Maintenance Projection 89.88%
at 36,000 Hours at 40°C Ambient*

Warranty** Yes

All results, except LED Lumen Maintenance, are according to IESNA LM-79-2008: Approved Method for the Electrical and Photometric Testing of Solid-State Lighting. The U.S. Department of Energy (DOE) verifies product test data and results.

* Based on TM-21 projections for the light source.
 ** See www.lightingfacts.com/products for details.

Registration Number: WVZA-CJF64Y (5/26/2015)
 Model Number: OLML-509-L46-40-120
 Type: Luminaire - Directional