

Olivio Medio - Universal Mount

selux



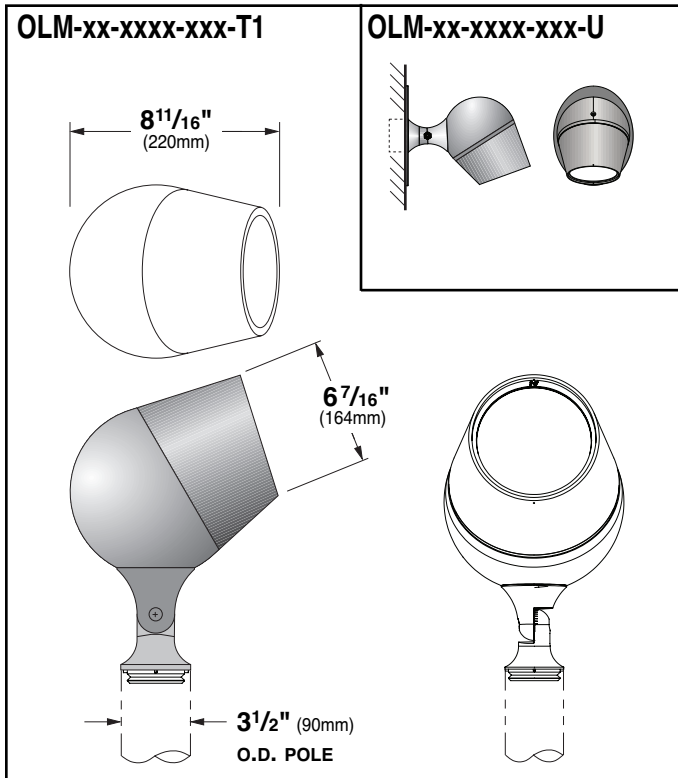
Specify T1, U or BB mountings on line 1 only.

Project:		Type:	Qty:
FIXT #	QTY	SERIES - OPTICS - MOUNTING - LAMPING - LAMP COLOR - FINISH - VOLTAGE - ACCESS.1 - ACCESS.2 -	
1		OLM- - - - - - - - - - -	
2		OLM- - - - - - - - - - -	
3		OLM- - - - - - - - - - -	
4		OLM- - - - - - - - - - -	

POLE SERIES	HEIGHT	FINISH	OPT. 1	OPT. 2	-LOC.1	-LOC.2	-LOC.3	-LOC.4	-LOC.5	-LOC.6	-LOC.7	-LOC.8
use pull downs to assign fixture# to pole bracket locations:												

Series	Optics	Mounting	Lamping	Lamp Color	Finish	Voltage	Accessories
Olivio Medio	SN Spot Narrow 2x 4°	T1 Single Pole Top (Not available with DS)	Ceramic Metal Halide H020T6 20W T6 H039T6 39W T6 H070T6 70W T6	Ceramic Metal Halide 830 3000K 842 4200K (39W only) 942 4200K (70W only) NOL Lamp not included	WH White BK Black BZ Bronze SV Silver SP Specify Premium Color	120 277	LR ^{2,3} Colored Red LG ^{2,3} Colored Green LB ^{2,3} Colored Blue LY ^{2,3} Colored Yellow RL ² Ring Louver RLC ² Ring Louver w/ Closed Center SLH ² Field Rotatable Spread Lens (factory set to horizontal distribution) SLV ² Field Rotatable Spread Lens (factory set to vertical distribution) HL ² Honeycomb Louver DF ^{2,3} Dichroic Filter (consult factory) DS ¹ Dark Sky 0° Tilt Option
	FM Flood Medium 2x 20°	U Universal (surface mount)					
	FW Flood Wide 2x 45.6°	BB Buried Base (consult factory)					

¹IDA certified "Dark Sky Friendly." For universal mount only. ²Up to 2 accessories may be chosen. ³Up to 39W T6



- Housing** - Pressure die-cast aluminum two-piece, single captive set screw for easy access.
- Gasketing** - Silicone gasket between fixture housing and lens base provide IP67 level ingress protection.
- Lens** - Tempered clear glass lens held by mechanical fasteners. Linear spread lens, color filter glass, dichroic filters or honeycomb louver available as accessories.
- Optics** - Precision formed, high performance reflector, in highly specular or diffuse finishes. Constructed of high purity aluminum with chemically brightened and anodized finish to produce optimum reflectivity for specified distributions.
- Lamp** - As indicated. Selux provided lamps use brand name manufacturers. LED modules as noted above.
- Socket** - 2-pin G12 base 5kV ceramic/PPS lamp holder for T-6/T-7.5 lamps; 2-pin G8.5 base, 5kV ceramic lamp holder for T-4/T-4.5 lamps.
- Ballasting** - Electronic, low THD, high power factor ballast.

- U-Joint (Universal mounting only)** - Die-cast aluminum fitting provides tilt-swivel from 20° from stem to 195° from stem, as well as 360° complete horizontal rotation. Locks down with set screws.
- Pole Fitter (Pole Top and Buried Base mounting)** - Die-cast aluminum fitting provides tilt-swivel from 20° from stem to 195° from stem, as well as 360° complete horizontal rotation. Locks in position with set screws.
- Exterior Luminaire Finish** - Selux utilizes a high quality Polyester Powder Coating. All Selux luminaires and poles are finished in our Tiger Drylac certified facility and undergo a five stage intensive pretreatment process where product is thoroughly cleaned, phosphated and sealed. Selux powder coated products provide excellent salt and humidity resistance as well as ultra violet resistance for color retention. All products are tested in accordance with test specifications for coatings from ASTM and PCI. Standard exterior colors are White (WH), Black (BK), Bronze (BZ), and Silver (SV). Selux premium colors (SP) are available, please specify from your Selux color selection guide. Hot Dip Galvanized finish (GV) on all steel parts also available.

Selux Corp. © 2016
 TEL (845) 834-1400
 FAX (845) 834-1401
 www.selux.us
 OLM-U-0716-01 (ss-v3.3)

NRTL Listed (i.e. UL, CSA)
 Union Made Affiliated
 with **IBEW Local 363**

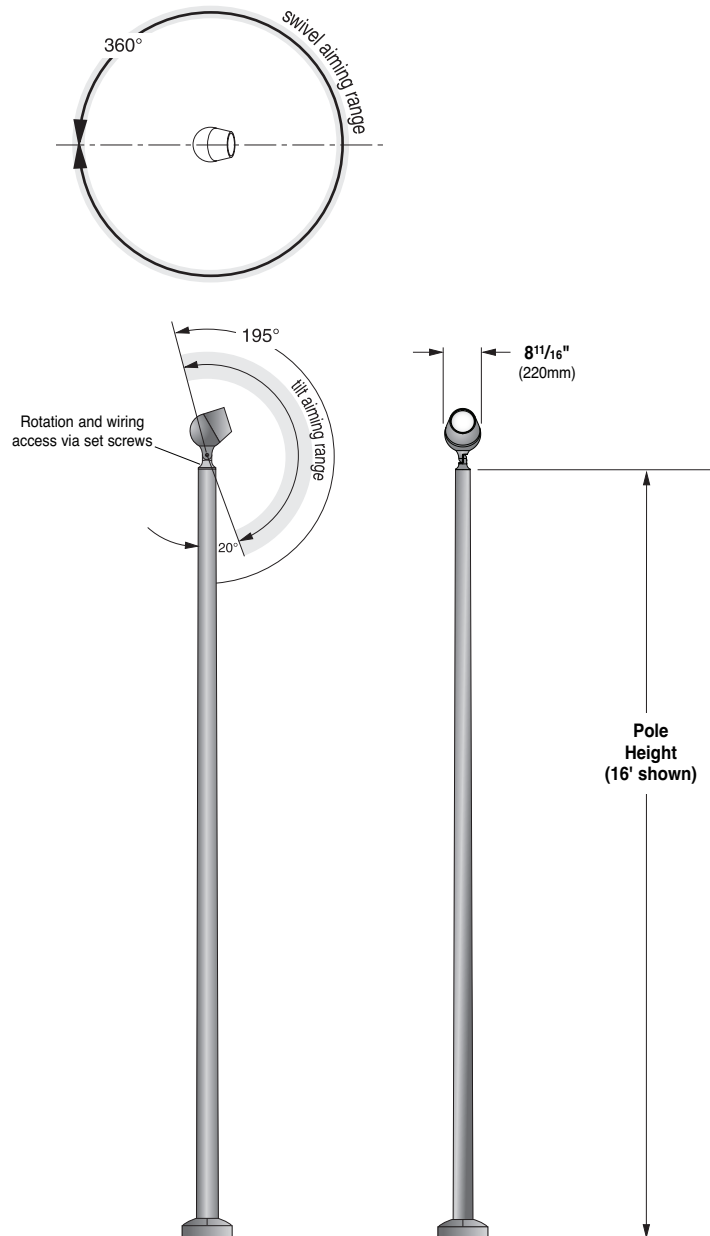


IP67

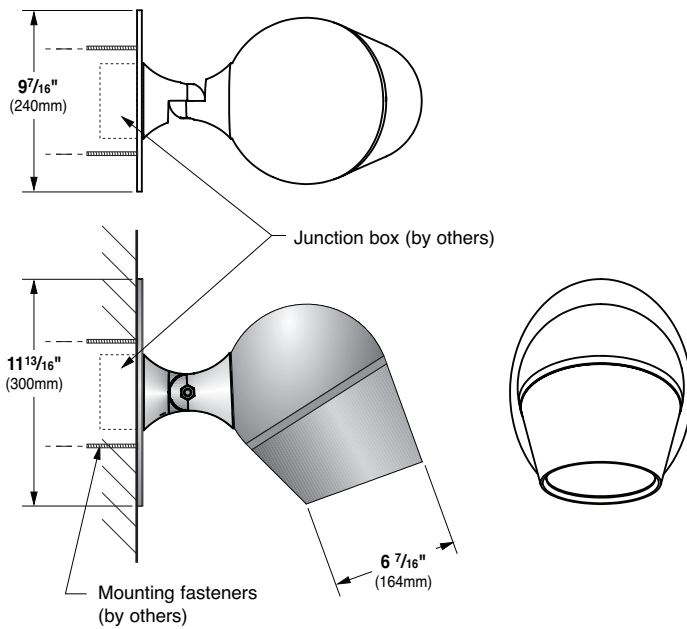
In a continuing effort to offer the best product possible, we reserve the right to change, without notice, specifications or materials that in our opinion will not alter the function of the product. Specification sheets found at www.selux.us are the most recent versions and supercede all other printed or electronic versions.

Mounting Configuration

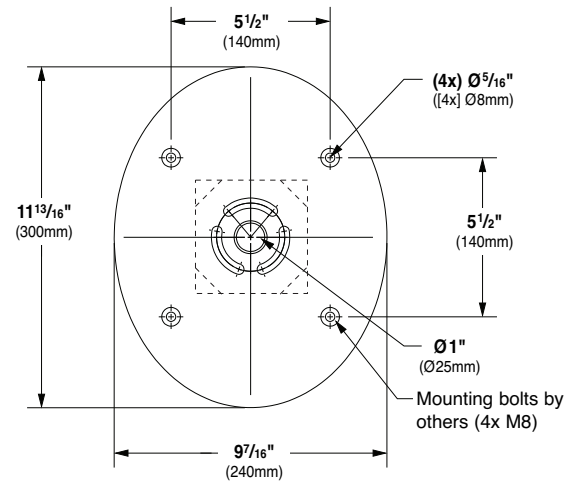
Single Pole Top (T1)
EPA = 0.7 ft² (0.065 m²)
Weight = 13 lbs. (5.9 kg)



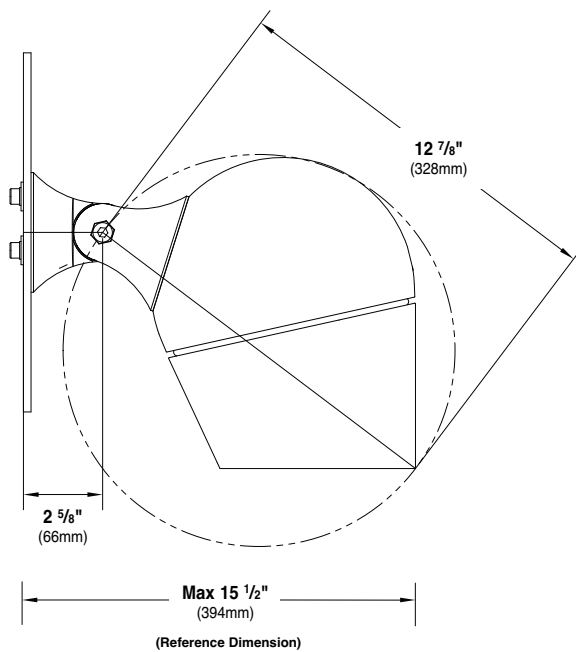
Universal Surface Mounting (U)



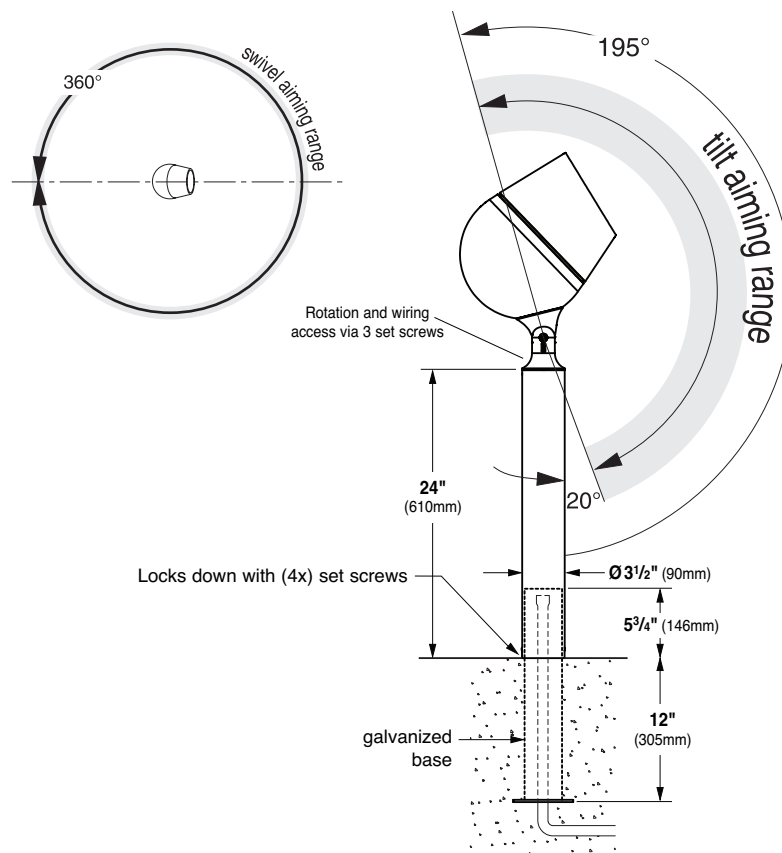
Wall Plate detail



Note: Wall plate is mounted to surface structure and over junction box (by others)

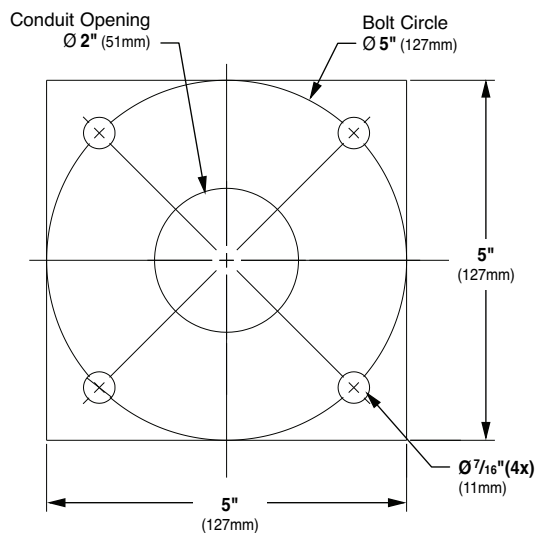


Buried Base Mounting (BB)



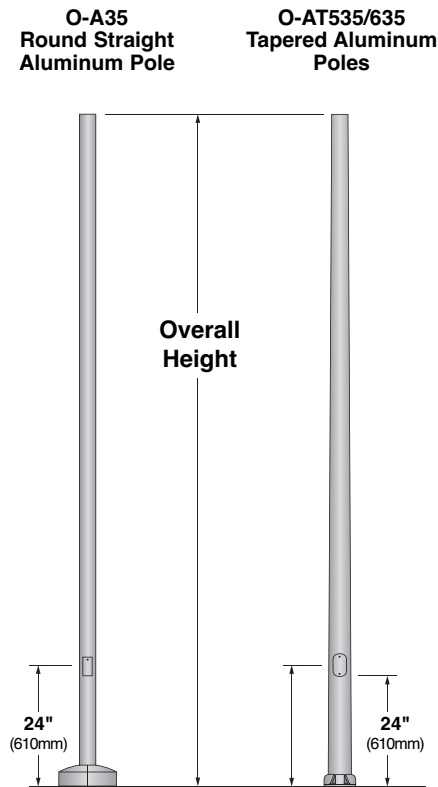
Concrete footing to be designed and installed by others.

Bolt Circle



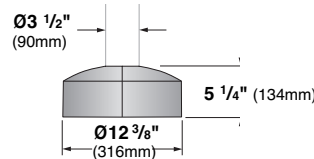
Surface Mounting

Refer to individual pole specification sheets for construction details, anchorage information and additional options.



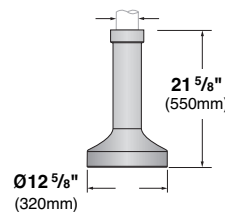
Straight Poles (A35) BC5 Standard Base Cover

Two-piece die cast aluminum



BC1 Optional Base Cover (A35 & S35)

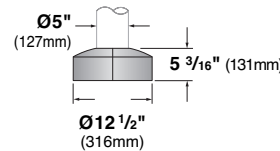
One-piece die cast aluminum



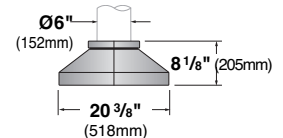
Optional Base Covers for Tapered Poles

Die-cast aluminum, two-piece field installable base covers

BC3 (AT535)



BC9 (AT635)



Pole Series	Wall	EPA Information (ft ²)				Height	Finish	Options
		80 mph	90 mph	100 mph	110 mph			
O-A35 3 1/2" Round Straight Aluminum Pole	0.197	7.3	5.4	4.0	3.1	12 12 ft.	WH White	BC1 Die-cast Decorative Cast Aluminum Base Cover (for A35 poles only)
O-AT535 5" to 3 1/2" Tapered Aluminum Pole	0.156	14.4	10.9	8.6	6.9			
O-A35 3 1/2" Round Straight Aluminum Pole	0.197	5.8	4.2	3.0	2.2	14 14 ft.	BK Black	
O-AT535 5" to 3 1/2" Tapered Aluminum Pole	0.156	9.4	7.1	5.5	4.4			
O-AT535 5" to 3 1/2" Tapered Aluminum Pole	0.156	7.7	5.6	4.2	3.3	16 16 ft.	BZ Bronze	
O-AT535 5" to 3 1/2" Tapered Aluminum Pole	0.188	7.8	5.6	4.2	3.2	18 18 ft.	SV Silver	
O-AT535 5" to 3 1/2" Tapered Aluminum Pole	0.188	6.4	4.5	3.2	2.4	20 20 ft.	SP Specify Premium Color	
O-AT635 6" to 3 1/2" Tapered Aluminum Pole	0.188	7.0	4.8	3.4	2.6	25 25 ft.		
								BC3 Die-cast Two-Piece Alum. Base Cover (for AT535 poles only)
								BC9 Die-cast Base Cover (for AT635 poles only)
								REC GFCI Receptacle with weather-proof cover* (120V only)

* Weatherproof cover intended for portable tools or other portable equipment connected to the outlet only when attended. For other requirements please consult factory.

Other pole configurations available, consult factory

EPA Calculations allow for 1.3 Gust Factor

See Mounting Page for fixture w/arm EPA values