

Olivio Grande - Universal Mount

selux



Project:

Type:

Qty:

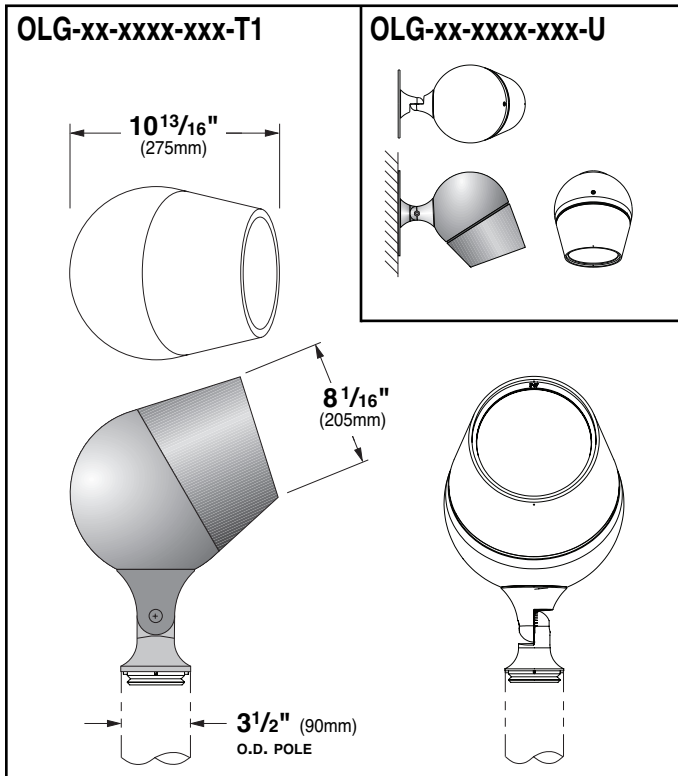
FIXT #	QTY	SERIES -	OPTICS-	MOUNTING -	LAMPING -	LAMP COLOR -	FINISH -	VOLTAGE -	ACCESS.1 -	ACCESS.2
1		OLG-	-	-	-	-	-	-	-	-
2		OLG-	-	-	-	-	-	-	-	-
3		OLG-	-	-	-	-	-	-	-	-
4		OLG-	-	-	-	-	-	-	-	-

Specify T1, U or BB mountings on line 1 only.

POLE SERIES	- HEIGHT	- FINISH	- OPT. 1	- OPT. 2	-LOC.1	-LOC.2	-LOC.3	-LOC.4	-LOC.5	-LOC.6	-LOC.7	-LOC.8
					-	-	-	-	-	-	-	-
use pull downs to assign fixture# to pole bracket locations:												

Series	Optics	Mounting	Lamping	Lamp Color	Finish	Voltage	Accessories
OLG Olivio Grande	SN ¹ Spot Narrow (2x 3.5°)	T1 Single Pole Top (Not available with DS)	Ceramic Metal Halide H039T6 39W T6 G12	Ceramic Metal Halide 830 3000°K	WH White	120	LR ^{2,4} Colored Red
	FM ¹ Flood Medium (2x 20°)	U Universal (surface mount)	H070T6 70W T6 G12	842 4200°K (39W only)	BK Black	277	LG ^{2,4} Colored Green
	FW ¹ Flood Wide (2x 45°)	BB Buried Base (consult factory)	H150T6 150W T6 G12	942 4200°K (70/150W only)	BZ Bronze	347 ²	LB ^{2,4} Colored Blue
	R2 Type II Distribution			NOL Lamp not included	SV Silver		LY ^{2,4} Colored Yellow
	R5 Type V Distribution				SP Specify Premium Color		RL ² Ring Louver
							RLC ² Ring Louver w/ Closed Center
							SLH ² Field Rotatable Spread Lens (factory set to horizontal distribution)
							SLV ² Field Rotatable Spread Lens (factory set to vertical distribution)
							HL ² Honeycomb Louver
							DF ^{2,4} Dichroic Filter (consult factory)
							DS ³ Dark Sky 0° Tilt Option

¹ only available with H150T6 lamping ² Available w/SN, FM & FW. Up to 2 accessories may be chosen. ³ IDA certified "Dark Sky Friendly." For universal mount only. ⁴ Up to 70W T6



- Housing** - Pressure die-cast aluminum two-piece, single captive set screw for easy access.
- Gasketing** - Silicone gasket between fixture housing and lens base provide IP67 level ingress protection.
- Lens** - Tempered clear glass lens held by mechanical fasteners. Linear spread lens, color filter glass, dichroic filters or honeycomb louver available as accessories.
- Optics** - Precision formed, high performance reflector, in highly specular or diffuse finishes. Constructed of high purity aluminum with chemically brightened and anodized finish to produce optimum reflectivity for specified distributions.
- Lamp** - As indicated. Selux provided lamps use brand name manufacturers.
- Socket** - 2-pin G12 base 5kV ceramic/PPS lamp holder for T-6/T-7.5 lamps.
- Ballasting** - Electronic, low THD, high power factor ballasts for 39 watt and 70 watt T6 lamps; or magnetic, high power factor, core and coil ballast for H150T6 lamp.

- U-Joint (Universal mounting only)** - Die-cast aluminum fitting provides tilt-swivel from 20° from stem to 195° from stem, as well as 360° complete horizontal rotation. Locks down with set screws. Dark Sky 0° Tilt Option.
 - Pole Fitter (Pole Top and Buried Base mounting)** - Die-cast aluminum fitting provides tilt-swivel from 20° from stem to 195° from stem, as well as 360° complete horizontal rotation. Locks in position with set screws.
- Exterior Luminaire Finish** - Selux utilizes a high quality Polyester Powder Coating. All Selux luminaires and poles are finished in our Tiger Drylac certified facility and undergo a five stage intensive pre-treatment process where product is thoroughly cleaned, phosphated and sealed. Selux powder coated products provide excellent salt and humidity resistance as well as ultra violet resistance for color retention. All products are tested in accordance with test specifications for coatings from ASTM and PCI.
- Standard exterior colors are White (WH), Black (BK), Bronze (BZ), and Silver (SV). Selux premium colors (SP) are available, please specify from your Selux color selection guide. Hot Dip Galvanized finish (GV) on all steel parts also available.

Selux Corp. © 2015
 TEL (845) 834-1400
 FAX (845) 834-1401
 www.selux.us
 OLG-U-0715-01 (ss-v3.2)

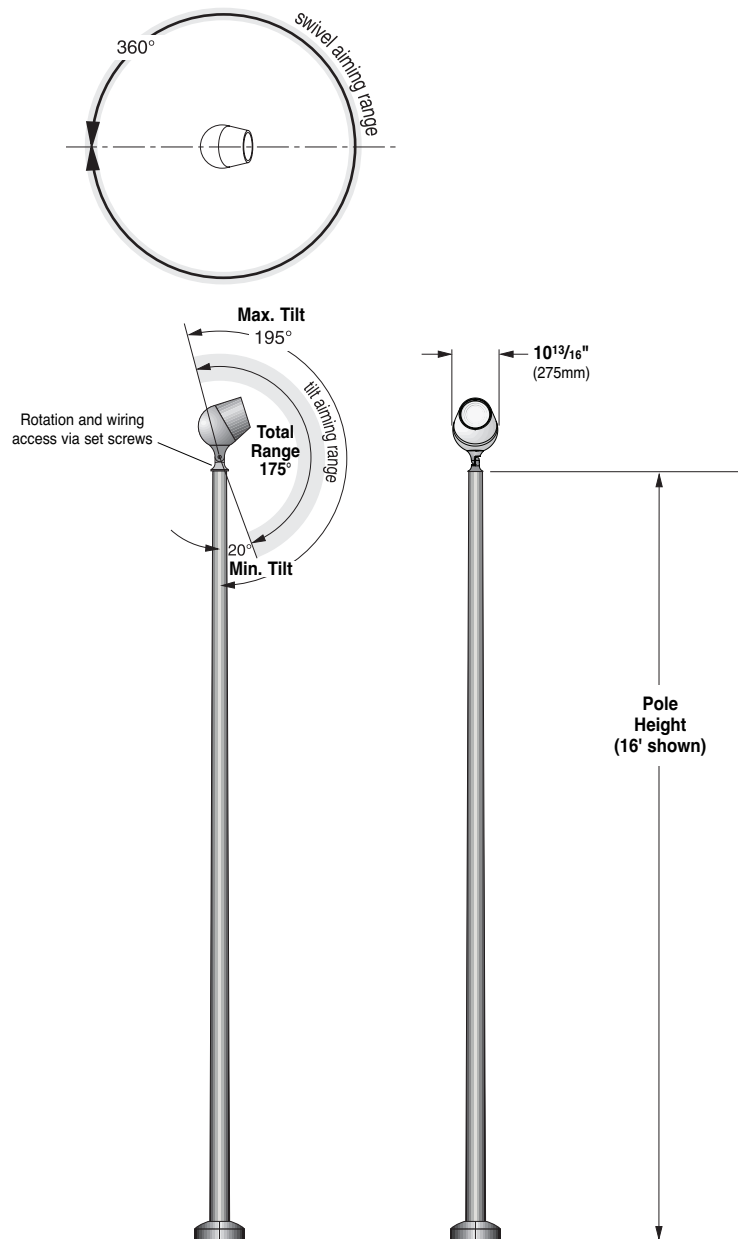
NRTL Listed (i.e. UL, CSA)
 Union Made Affiliated
 with **IBEW Local 363**



In a continuing effort to offer the best product possible, we reserve the right to change, without notice, specifications or materials that in our opinion will not alter the function of the product. Specification sheets found at www.selux.us are the most recent versions and supercede all other printed or electronic versions.

Mounting Configurations

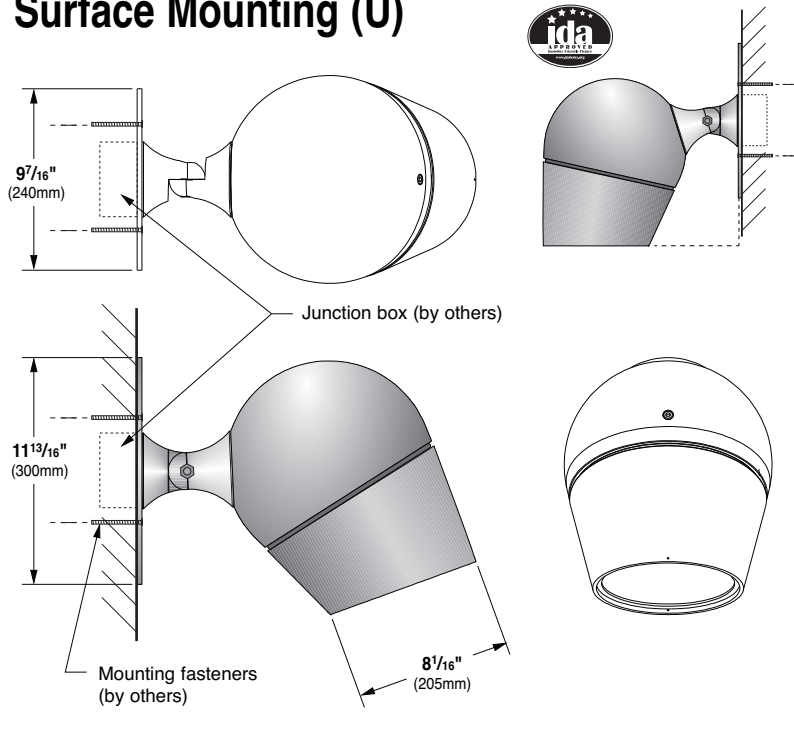
Single Pole Top (T1)
EPA = 0.9 ft² (0.084 m²)
Weight = 22 lbs. (10.0 kg)



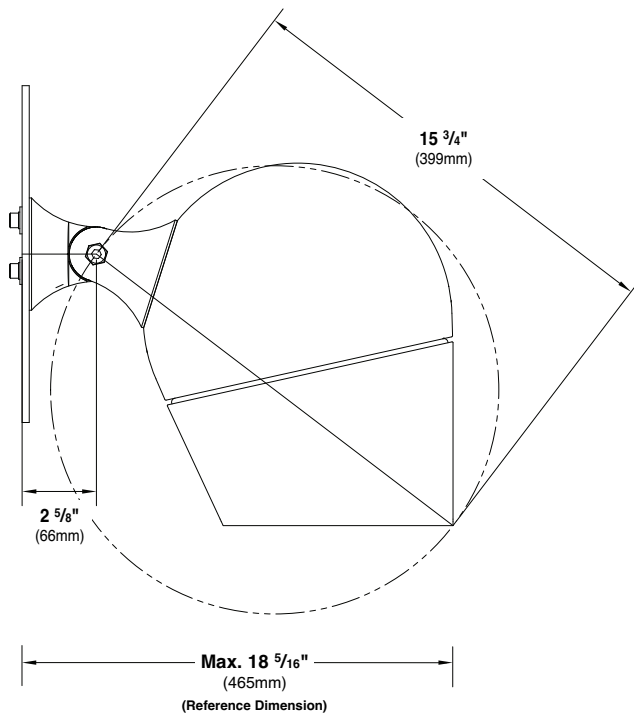
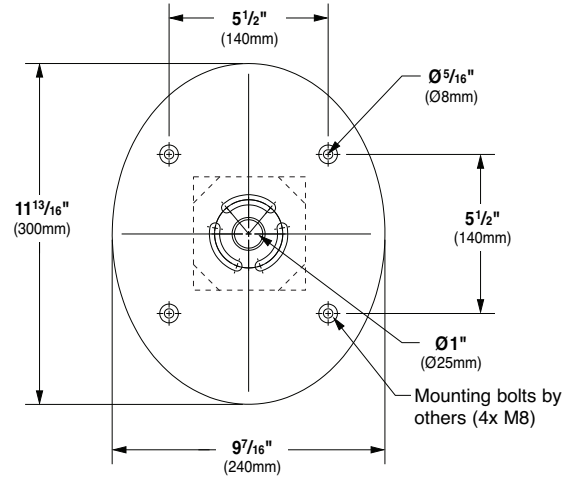
Olivio Grande - Universal Mount

selux

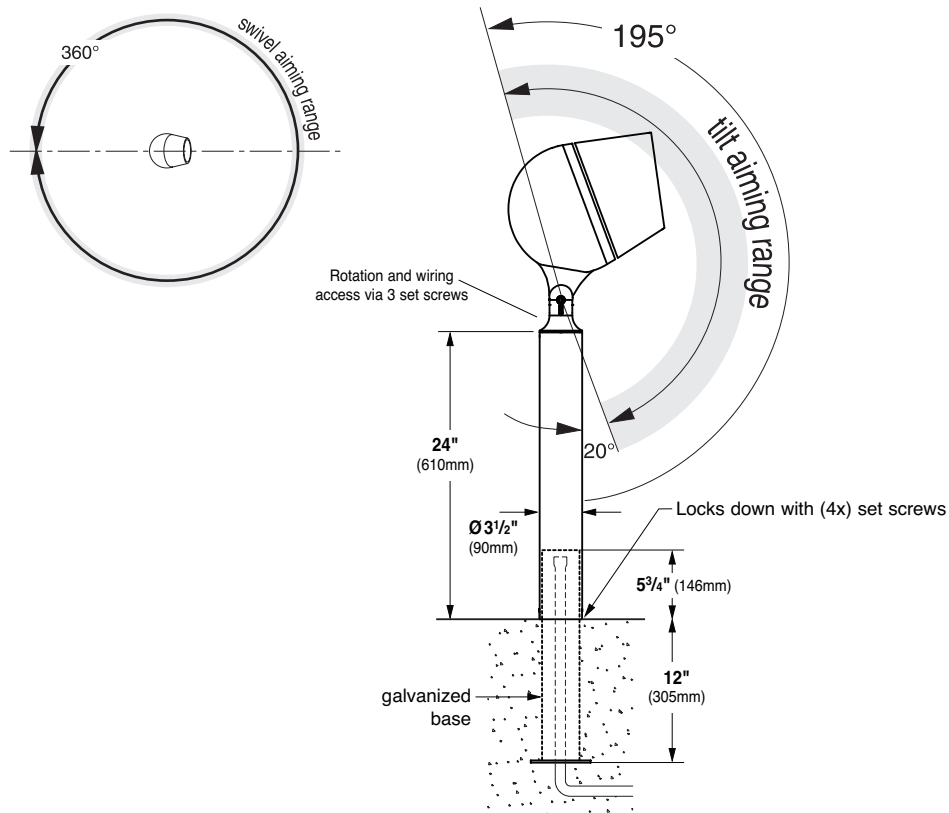
Surface Mounting (U)



Wall Plate detail

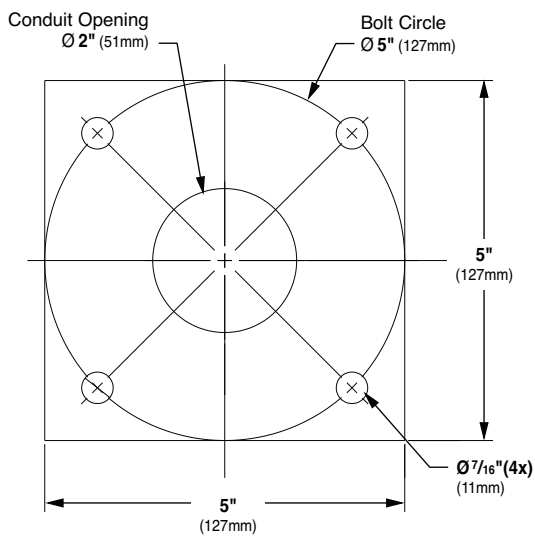


Buried Base Mounting (BB)



Concrete footing to be designed and installed by others.

Bolt Circle

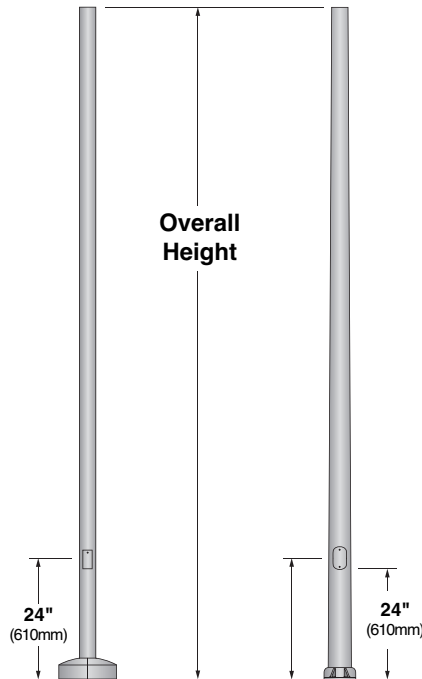


Pole Information

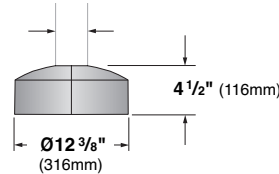
Refer to individual pole specification sheets for construction details, anchorage information and additional options.

O-A35
Round Straight
Aluminum Pole

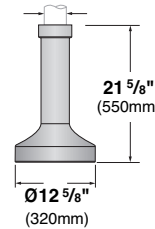
O-AT535/635
Tapered Aluminum
Poles



Straight Poles (A35)
BC5 Standard Base Cover
Two-piece die cast aluminum

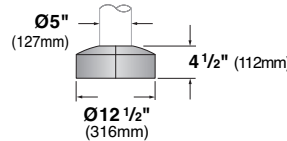


BC1 Optional Base Cover (A35 & S35)
One-piece die cast aluminum

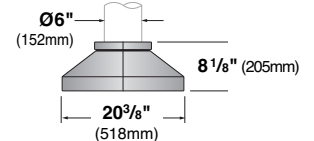


Optional Base Covers for Tapered Poles
Die-cast aluminum, two-piece field installable base covers

BC3 (AT535)



BC9 (AT635)



Pole Series	Wall	EPA Information (ft ²)				Height	Finish	Options
		80 mph	90 mph	100 mph	110 mph			
O-A35 3 1/2" Round Straight Aluminum Pole	0.197	7.3	5.4	4.0	3.1	12 12 ft.	WH White	BC1 Die-cast Decorative Cast Aluminum Base Cover (for A35 poles only)
O-AT535 5" to 3 1/2" Tapered Aluminum Pole	0.156	14.4	10.9	8.6	6.9			
O-A35 3 1/2" Round Straight Aluminum Pole	0.197	5.8	4.2	3.0	2.2	14 14 ft.	BK Black	BC3 Die-cast Two-Piece Alum. Base Cover (for AT535 poles only)
O-AT535 5" to 3 1/2" Tapered Aluminum Pole	0.156	9.4	7.1	5.5	4.4			
O-AT535 5" to 3 1/2" Tapered Aluminum Pole	0.156	7.7	5.6	4.2	3.3	16 16 ft.	BZ Bronze	BC9 Die-cast Base Cover (for AT635 poles only)
O-AT535 5" to 3 1/2" Tapered Aluminum Pole	0.188	7.8	5.6	4.2	3.2	18 18 ft.	SV Silver	
O-AT535 5" to 3 1/2" Tapered Aluminum Pole	0.188	6.4	4.5	3.2	2.4	20 20 ft.	SP Specify Premium Color	REC GFCI Receptacle with weather-proof cover* (120V only)
O-AT635 6" to 3 1/2" Tapered Aluminum Pole	0.188	7.0	4.8	3.4	2.6	25 25 ft.		

* Weatherproof cover intended for portable tools or other portable equipment connected to the outlet only when attended. For other requirements please consult factory.

Other pole configurations available, consult factory

EPA Calculations allow for 1.3 Gust Factor

See Mounting Page for fixture w/arm EPA values