

Date: _____ Customer: _____
 Project: _____
 Type: _____ Qty: _____



Olivio Medio LED Candelabra Pole Top



Order Code: OLML - _____ - _____ - _____ - _____ - _____ - _____

Pole Order Code: AT524 - _____ - _____ - _____
 Series Height Finish Options

<u>OLML</u>	Series	OLML Olivio Medio LED				
	Optics	S09 Spot, 9°	F40 Flood, 41°	F80 Flood, 78°	ASM Asymmetric (no SLH or SLV option)	
	Mounting	C1 Single Candelabra Pole top	C2 Double @ 120° Candelabra Pole top	C2A Double @ 180° Candelabra Pole top	C3 Triple @ 120° Candelabra Pole top	
	Light Engine	L46 46W nominal	L23 23W nominal			
	CCT	30 3000K	40 4000K			
	Finish	WH White	BK Black	BZ Bronze	SV Silver	SP Specify Premium Color
	Voltage	120	208	240	277	
	Options	DS¹ Dark Sky 0° Tilt Option	DM² Dimming, 0-10V	SLH Spread Lens Horizontal (fixed)	SLV Spread Lens Vertical (fixed)	20kA 20kA Surge Suppression ¹ IDA certified "Dark Sky Friendly" ² Only available with L46

Product Modifications

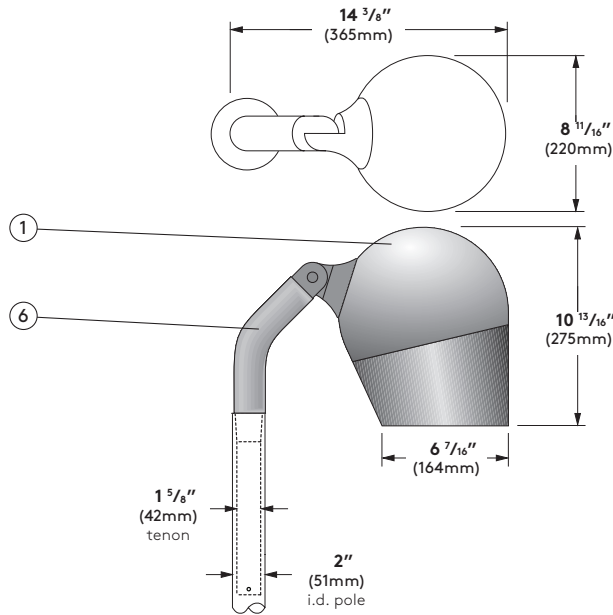
Please list modification requirements for review by factory:

Approvals



Date: _____

OLM-C1



Specifications

1. Luminaire Housing - Two piece high pressure die cast housing, made of low copper aluminum alloy. Single recessed captive screw allows easy access to light engine & gear tray components.

2. Gasketing - (not shown) UV and ozone-resistant, silicone gasket between fixture housing and lens base provide IP67 level ingress protection. IP rated micro-membrane ensures pressure compensation.

3. Lens - (not shown) Tempered clear glass lens.

4. LED Light Engine - (not shown) made from high flux COB and vacuum metalized aluminum reflectors. Selux is using brand name LED manufacturers. Available in 3000K and 4000K, CRI minimum 80. Reflectors made from high purity aluminum to ensure high efficiencies throughout lifetime. Complete light engine can be removed easily for future upgrade. LED light engine provides a reported lumen maintenance of 84.47% at 60,000 hours. L70 calculated greater than 60,000 hours.

5. LED Driver - Selux uses brand name high efficiency LED drivers. LEDs are driven by RoHS compliant high-efficiency driver. Excellent for cold temperature starting and instant on. Min.

operating temperature -40°C/-40°F.

6. Surge Protector - (not shown) Designed to protect luminaire from electrical surge up to 10kA. Surge protection up to 20kA optional.

7. Arm - 45 degree arm made from low copper aluminum alloy. Fixture head joint design optimized to fit with AT524 pole provides tilt-swivel range from 0° to 175°, as well as 360° rotation. Locks down with set screws. Cast aluminum mounting arms include tenon that is inserted into a 2" I.D. pole & locked into place with set screws.

8. Power Cord - (not shown) Pre-installed at factory and fed hidden through the luminaire hinge and hinge arm. Power cords are specified to fit the length of the pole specified with the luminaire.

Exterior Luminaire Finish -

Selux utilizes a high quality Polyester Powder Coating. All Selux luminaires and poles are finished in our Tiger Drylac certified facility and undergo a five stage intensive pretreatment process where product is thoroughly cleaned, phosphated and sealed. Selux powder coated products provide excellent salt and humidity

resistance as well as ultraviolet resistance for color retention. All products are tested in accordance with test specifications for coatings from ASTM and PCI. Standard exterior colors are White (WH), Black (BK), Bronze (BZ), and Silver (SV). Selux premium colors (SP) are available, please specify from your Selux color selection guide.

5 Year Limited LED Luminaire Warranty -

Selux offers a 5 Year Limited Warranty to the original purchaser that the OLIVIO LED luminaire shall be free from defects in material and workmanship for up to five (5) years from date of shipment. This limited warranty covers the LED driver and LED Light engine when installed and operated according to Selux instructions. For details, see "Selux Terms and Condition of Sale."

Listings and Ratings: Luminaire and LED tested to IP67 and IESNA LM-79-08 standards. LED tested to LM-80 standards. Luminaire and LED tested at 25°C ambient temperature.

OLIVIO LED suitable for ambient temperatures of 40°C (104°F). Minimum operating temperature of luminaire at -40°C (-40°F).

NRTL Listed for wet location (i.e. UL, CSA)

Visit selux.us for our LED End of Life recycling policy.

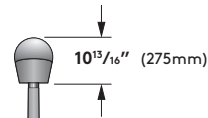
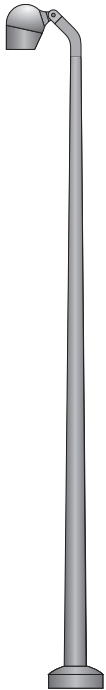
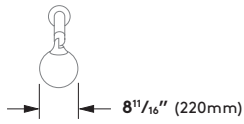
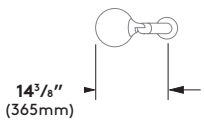
Lumen Output for OLML

Olivio Medio LED	S09	F40	F80	ASM
3000K CRI>80	3208 lm CBCP 46602.8 cd	3263 lm CBCP 5273.9 cd	3010 lm CBCP 2052 cd	2068 lm CBCP 1678 cd
4000K CRI>80	3252 lm CBCP 47253cd	3308 lm CBCP 5347.6cd	3052 lm CBCP 2080.7cd	2820 lm CBCP 1970cd

Mounting

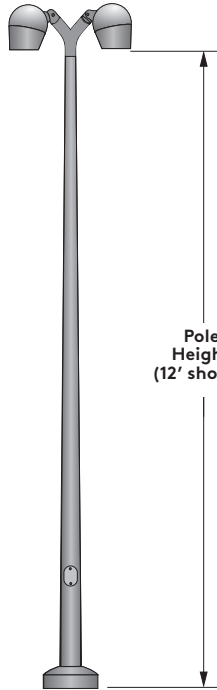
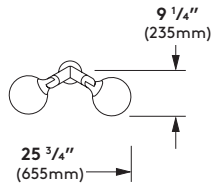
Mounting Details

Single (C1)



EPA = 0.7 ft² (0.065 m²)
Weight = 13 lbs. (28.6 kg)

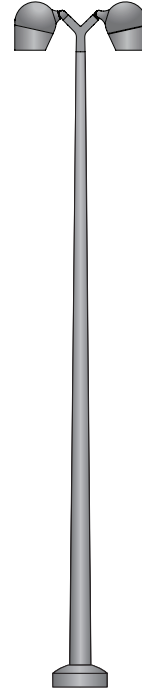
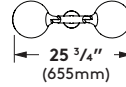
Double @ 120° (C2)



Pole Height
(12' shown)

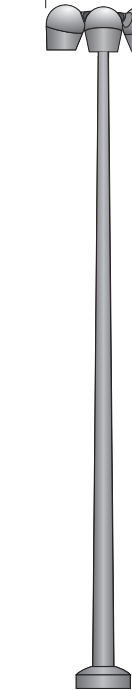
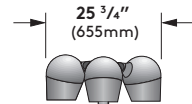
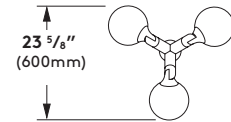
EPA = 1.5 ft² (0.139 m²)
Weight = 26 lbs. (57.2 kg)

Double @ 180° (C2A)



EPA = 1.5 ft² (0.139 m²)
Weight = 26 lbs. (57.2 kg)

Triple (C3)



EPA = 2.3 ft² (0.214 m²)
Weight = 39 lbs. (85.8 kg)

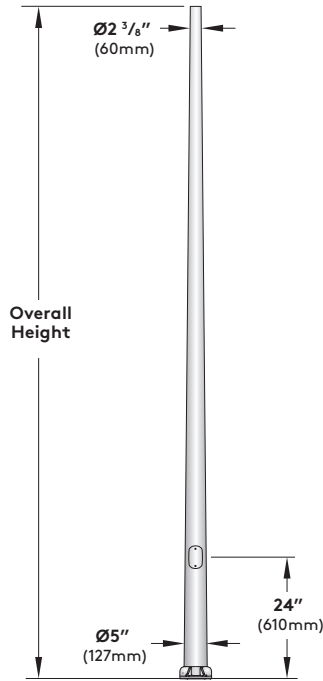
Pole Information

Refer to pole specification sheets for construction details, anchorage information and additional options.

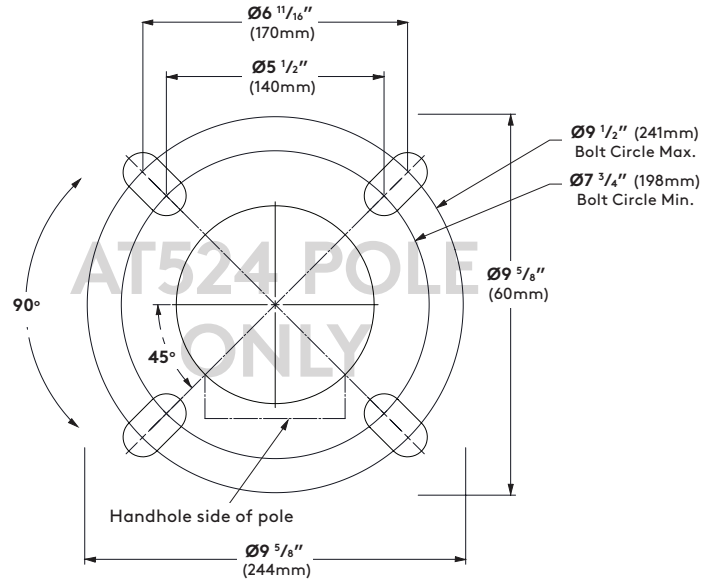
Base Cover Information

Refer to pole specification sheets for construction details, anchorage information and additional options.

AT524 Tapered Aluminum Pole

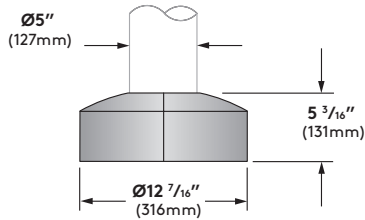


Bolt Circle

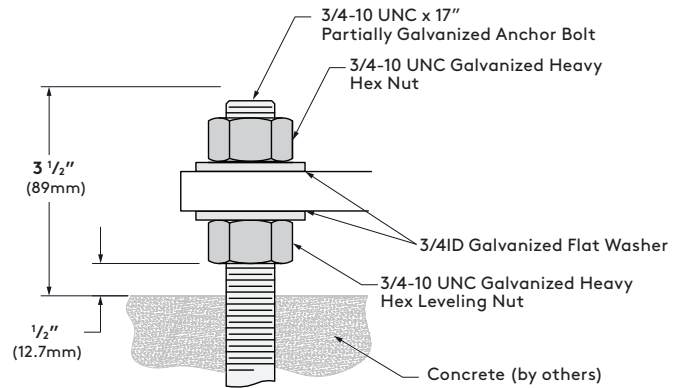


BC3 Optional Base Cover

Die cast aluminum, two piece field installable base cover



Anchor Bolt Detail

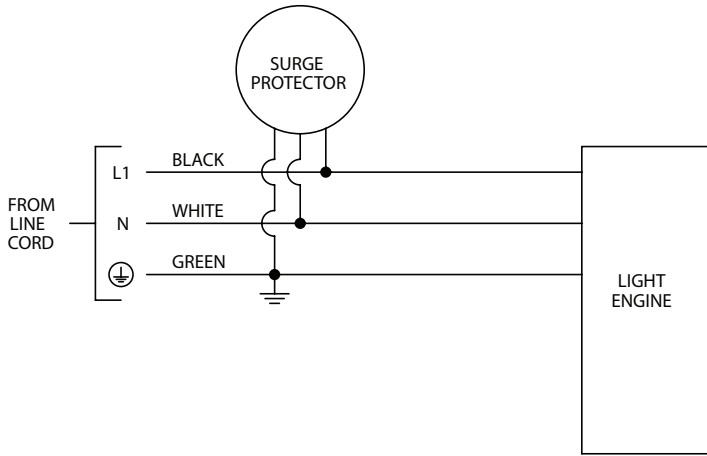


Pole Data Chart

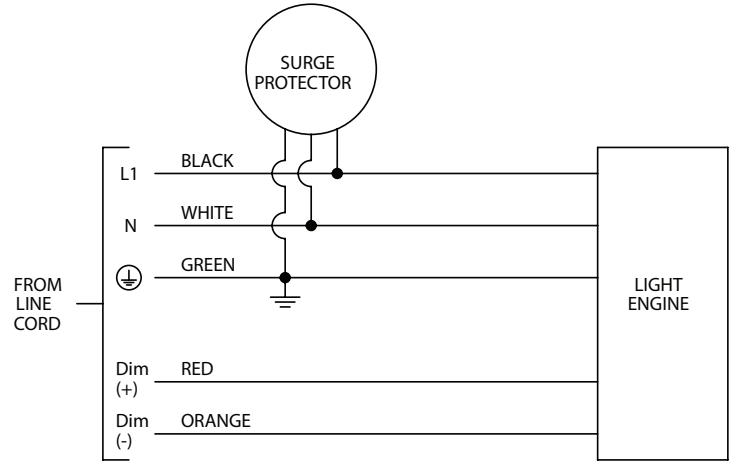
Pole Series	Bolt Circle	Wall	EPA Information (ft ²)				Height	Finish	Options
			80mph	90mph	100mph	110mph			
AT524 5" to 2.4" Tapered Aluminum Pole	8 1/2"	0.188	15.3	11.7	9.2	7.4	13 13ft	WH White	BC3 Die Cast Two-Piece Base Cover REC GFCI Receptacle (120V)
AT524 5" to 2.4" Tapered Aluminum Pole	8 1/2"	0.188	13.8	10.6	8.3	6.6	14 14ft	BK Black	
AT524 5" to 2.4" Tapered Aluminum Pole	8 1/2"	0.188	12.5	9.5	7.4	5.9	15 15ft	BZ Bronze	
AT524 5" to 2.4" Tapered Aluminum Pole	8 1/2"	0.188	11.4	8.6	6.6	5.2	16 16ft	SV Silver	
								SP Specify Premium Color	

Other pole configurations available, consult factory
 EPA calculations allow for 1.3 Gust Factor
 See Mounting Page for fixture w/arm EPA values

Standard Single Wiring



0-10V Dimming Option (DM) Wiring
L46, 120-277V.

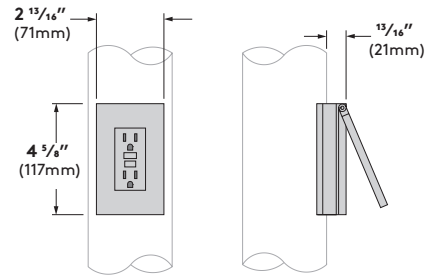


Options

Dark Sky 0° Tilt Option (DS) - Luminaire head tilt angle preset and fixed at factory to comply with IDA Dark Sky and BUG U0 ratings.

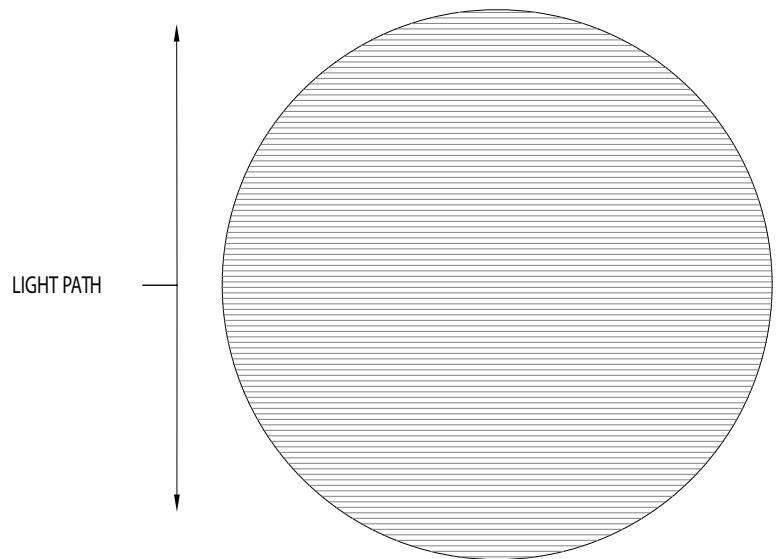
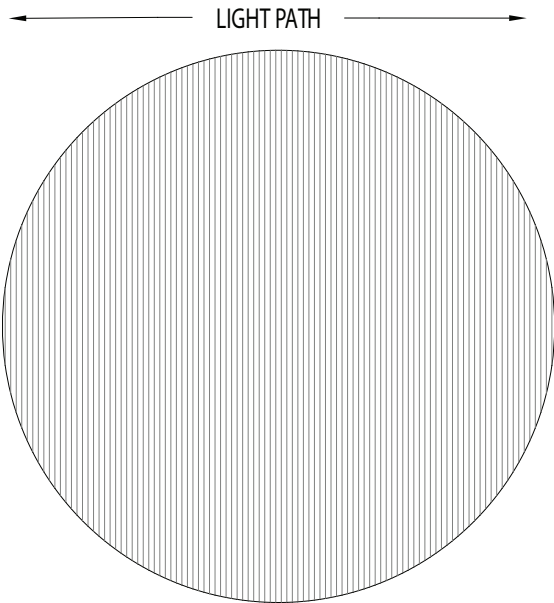
20kA Surge Protection (20kA) - Designed to protect luminaire from electrical surge up to 20kA.

GFCI Receptacle (REC) - 120V GFCI duplex receptacle with cast base bolted to pole and gasketed, provided with weather-proof, self-closing cover; located 36" (915mm) from base of pole, inline with handhole. Receptacle is intended only for portable tools or other portable equipment to be connected to outlet only when attended by operating personnel. For in-use cover, please consult factory.



Horizontal spread lens (SLH) - Spread lens for horizontal light distribution. Replaces clear lens and intended to be used with reflectors for S09, F40 or F80 distribution. Preset and fixed at factory.

Vertical spread lens (SLV) - Spread lens for vertical light distribution. Replaces clear lens and intended to be used with reflectors for S09, F40 or F80 distribution. Preset and fixed at factory.

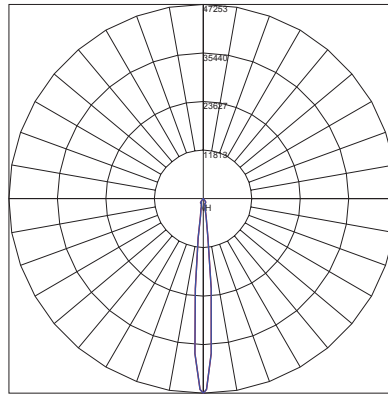


Photometry

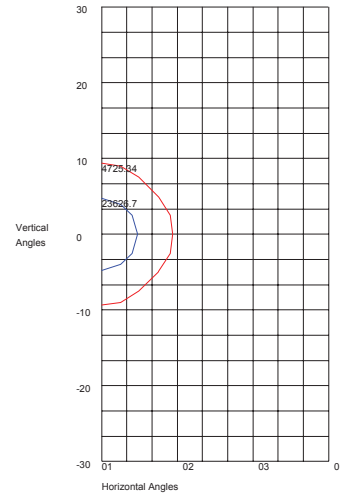
S09 /44W LED / 4000K CCT

Catalog #: OLML-S09-L46-40-120
 Delivered Lumens: 3252
 Input Watts: 44W
 CRI: >83.5
 Maximum candela of 4725.4
 Maximum candela Angle 0H x 0H
 NEMA Classification: 1H x 1V
 Power Factor: 0.989
 Total Harmonic Distortion: 9.23%

[Link to photometry \(PDF\)](#)
[Link to photometry \(IES\)](#)



Maximum Candela = 4725.4 Located At Horizontal Angle = 0, Vertical Angle = 0
 H - Horizontal Axial Candela
 V - Vertical Axial Candela

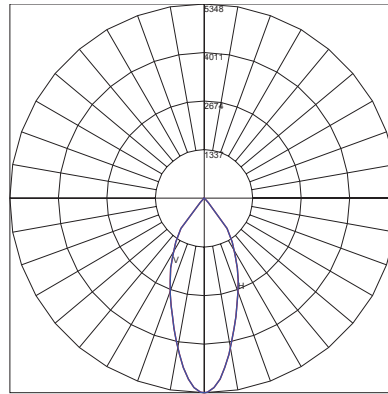


Maximum Candela = 4725.4 Located At Horizontal Angle = 0, Vertical Angle = 0
 50% Maximum Candela = 2362.7
 10% Maximum Candela = 4725.34

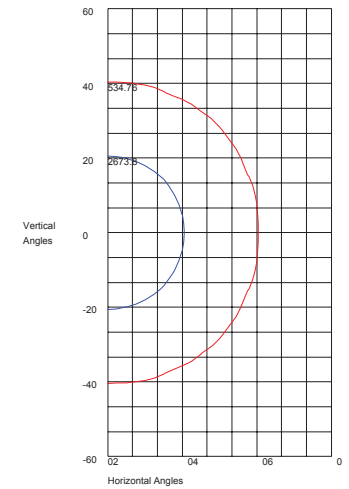
F40 / 44W LED / 4000K CCT

Catalog #: OLML-F40-L46-40-120
 Delivered Lumens: 3308
 Input Watts: 44W
 CRI: >83.5
 Maximum candela of 5347.6
 Maximum candela Angle 0H x 0H
 NEMA Classification: 5H x 5V
 Power Factor: 0.989
 Total Harmonic Distortion: 9.23%

[Link to photometry \(PDF\)](#)
[Link to photometry \(IES\)](#)



Maximum Candela = 5347.6 Located At Horizontal Angle = 0, Vertical Angle = 0
 H - Horizontal Axial Candela
 V - Vertical Axial Candela

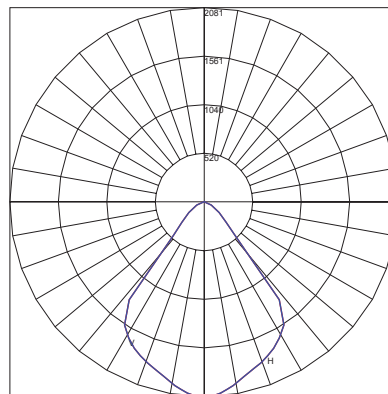


Maximum Candela = 5347.6 Located At Horizontal Angle = 0, Vertical Angle = 0
 50% Maximum Candela = 2673.8
 10% Maximum Candela = 534.76

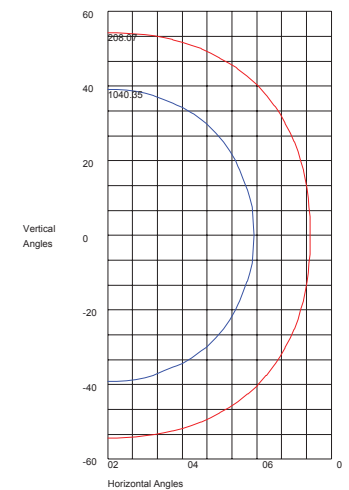
F80 / 44W LED / 4000K CCT

Catalog #: OLML-F80-L46-40-120
 Delivered Lumens: 3052
 Input Watts: 44W
 CRI: >83.5
 Maximum candela of 2080.7
 Maximum candela Angle 0H x 0H
 NEMA Classification: 6H x 6V
 Power Factor: 0.989
 Total Harmonic Distortion: 9.23%

[Link to photometry \(PDF\)](#)
[Link to photometry \(IES\)](#)



Maximum Candela = 2080.7 Located At Horizontal Angle = 0, Vertical Angle = 0
 H - Horizontal Axial Candela
 V - Vertical Axial Candela



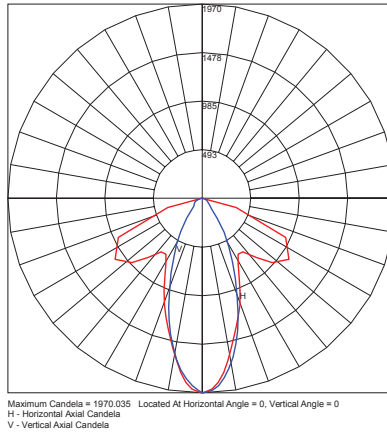
Maximum Candela = 2080.7 Located At Horizontal Angle = 0, Vertical Angle = 0
 50% Maximum Candela = 1040.35
 10% Maximum Candela = 208.07

Photometry

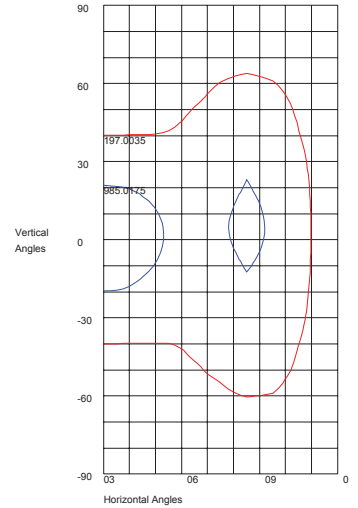
ASM / 44W LED / 4000K CCT

Catalog #: OLML-ASM-L46-40-120
 Delivered Lumens: 2428
 Input Watts: 44W
 CRI: >83.5
 Maximum candela of 1970.035
 Maximum candela Angle 0H x 0V
 NEMA Classification: 7H x 5V
 Power Factor: 0.989
 Total Harmonic Distortion: 9.23%

[Link to photometry \(PDF\)](#)
[Link to photometry \(IES\)](#)



Maximum Candela = 1970.035 Located At Horizontal Angle = 0, Vertical Angle = 0
 H - Horizontal Axial Candela
 V - Vertical Axial Candela



Maximum Candela = 1970.035 Located At Horizontal Angle = 0, Vertical Angle = 0
 50% Maximum Candela = 985.0175
 10% Maximum Candela = 197.0035

CCT Multiplier	
4000K	1.000
3000K	0.986

Conversion Chart	
Values based on 16' (4.9 m) mounting height	
Mounting Height	Multiply
10' (3.0 m)	1.27
12' (3.7 m)	1.16
14' (4.3 m)	1.07
16' (4.9 m)	1.00
18' (5.5 m)	0.84

CCT multipliers apply to the photometry, and IES files.

Selux Corporation

Light Output (Lumens)	3160
Watts	43.96
Lumens per Watt (Efficacy)	71.9

Color Accuracy <small>Color Rendering Index (CRI)</small>	81
---	-----------

Light Color <small>Correlated Color Temperature (CCT)</small>	3943 (Bright White)
---	----------------------------

LED Lumen Maintenance Projection <small>at 36,000 Hours at 40°C Ambient*</small>	89.88%
Warranty**	Yes

All results, except LED Lumen Maintenance, are according to IESNA LM-79-2008: Approved Method for the Electrical and Photometric Testing of Solid-State Lighting. The U.S. Department of Energy (DOE) verifies product test data and results.

* Based on TM-21 projections for the light source.
 ** See www.lightingfacts.com/products for details.

Registration Number: WVZA-CJF64Y (5/26/2015)
 Model Number: OLML-S09-L46-40-120
 Type: Luminaire - Directional