

Olivio Bollard

selux

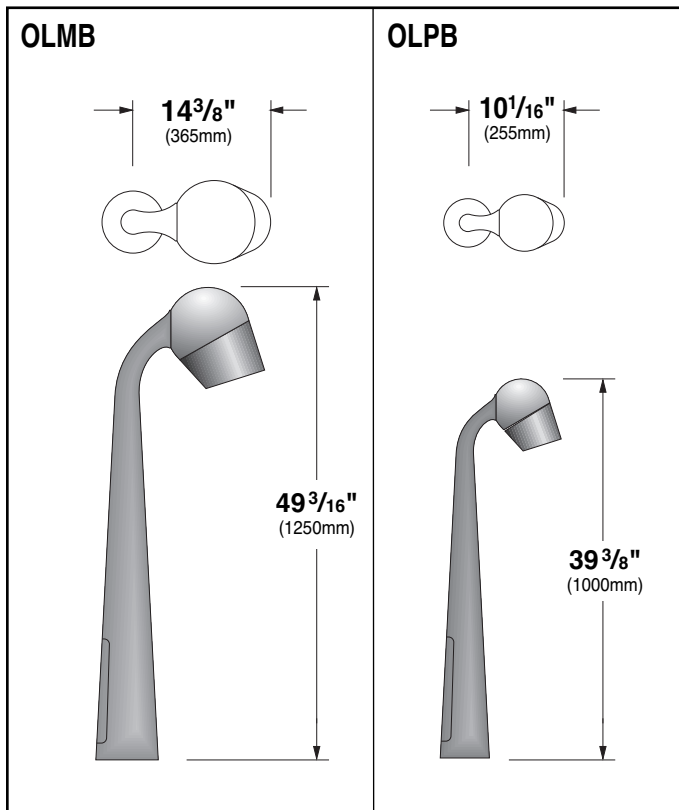


Project: _____

Type: _____ **Qty:** _____

Series Optics Height Lamping Lamp Color Finish Voltage

Series	Optics	Height	Lamping	Lamp Color	Finish	Voltage
OLMB Olivio Medio Bollard	FW Flood Wide & Spread Lens	4 4 feet (nominal)	H020T6 20W T6	HID 830 3000 K 842¹ 4200 K NOL Lamp not included	WH White BK Black BZ Bronze SV Silver SP Specify Premium Color	120
			H039T6 39W T6			277
OLPB Olivio Piccolo Bollard	FW Flood Wide & Spread Lens	3 3 feet (nominal)	H020T4 20W T4			
¹ 39W only						



1. Fixture Housing - Die-cast low-copper aluminum fixture head.

2. Bollard Base - Cast of low-copper aluminum.

3. Gasketing - UV and ozone resistant silicone gasket between fixture housing and lens base provides IP67 level ingress protection.

4. Lens - Tempered clear glass lens held by mechanical fasteners, supplied with spread lens.

5. Optics - Precision formed, high performance reflector. Constructed of high purity aluminum with chemically brightened and anodized finish to produce optimum reflectivity.

6. Lamping - As indicated. SELUX provided lamps use brand name manufacturers.

7. Socket - 2-pin G12 base 5kV ceramic/PPS lamp holder for T-6/T-7.5 lamps; 2-pin G8.5 base, 5kV ceramic lamp holder for T-4/T-4.5 lamps.

8. Ballast - (n/a with LED) Electronic, low THD, high power factor ballasts.

Exterior Luminaire Finish - Selux utilizes a high quality Polyester Powder Coating. All Selux luminaires and poles are finished in our Tiger Drylac certified facility and undergo a five stage intensive pretreatment process where product is thoroughly cleaned, phosphated and sealed. Selux powder coated products provide excellent salt and humidity resistance as well as ultra violet resistance for color retention. All products are tested in accordance with test specifications for coatings from ASTM and PCI.

Standard exterior colors are White (WH), Black (BK), Bronze (BZ), and Silver (SV). Selux premium colors (SP) are available, please specify from your Selux color selection guide.

Selux Corp. © 2015
 TEL (845) 834-1400
 FAX (845) 834-1401
 www.selux.us
 OLxB-0415-01 (ss-v2.4)

NRTL Listed (i.e. UL, CSA)

Union Made Affiliated
 with IBEW Local 363



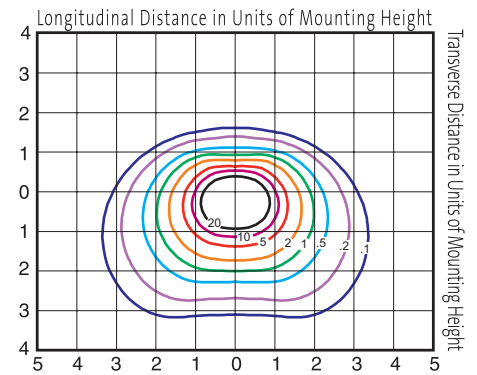
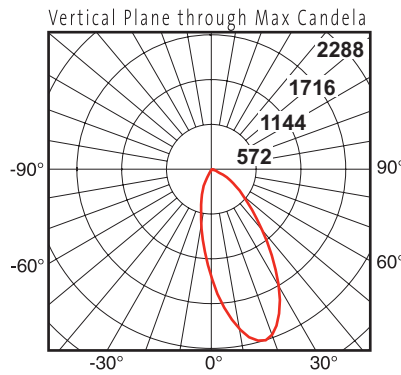
In a continuing effort to offer the best product possible, we reserve the right to change, without notice, specifications or materials that in our opinion will not alter the function of the product. Specification sheets found at www.selux.us are the most recent versions and supercede all other printed or electronic versions.

Photometry

Olivio Medio Bollard / 39w T6 / Flood Wide & Spread Lens

Catalog # OLMB-FW-H039T6
Report # 4597 / SX-385AB1

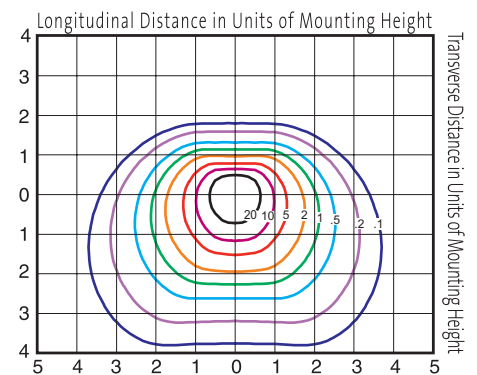
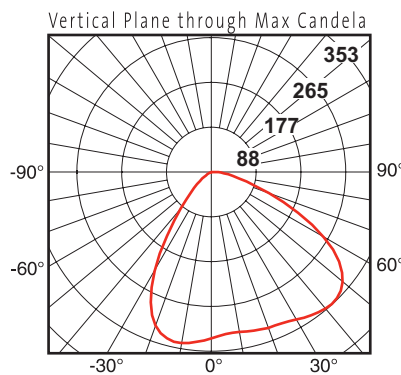
- Precision formed aluminum reflector to precisely control distribution.
- Maximum candela of 2287 at 17.5° from vertical.
- IES classification = Type 1
- BUG Rating: B1-U1-G1



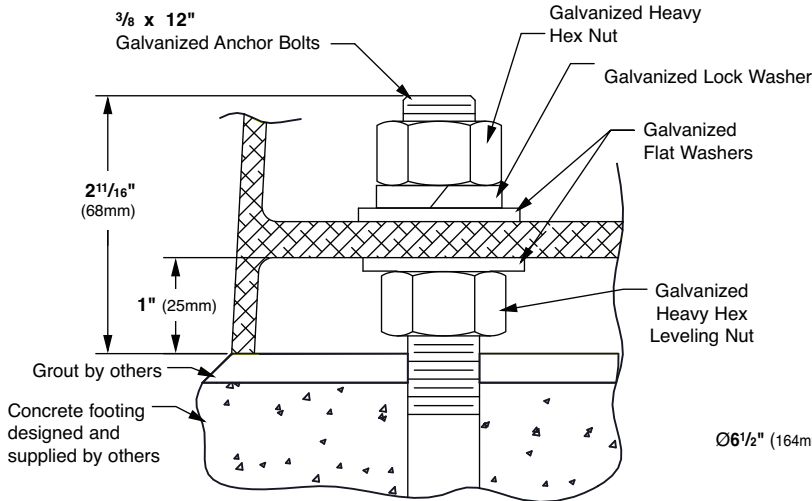
Olivio Piccolo Bollard / 20w T4 / Flood Wide & Spread Lens

Catalog # OLPB-FW-H020T4
Report # 4604 / SX-384AA3

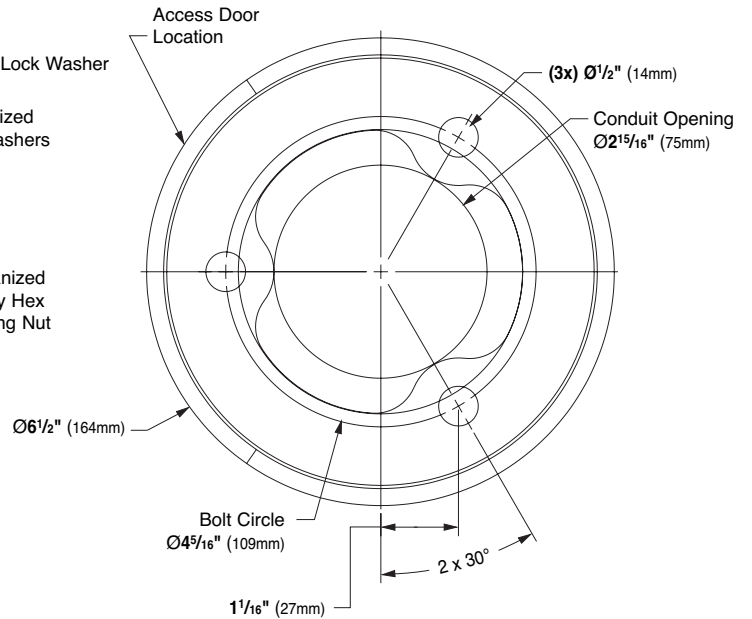
- Precision formed aluminum reflector to precisely control distribution.
- Maximum candela of 353 at 42.5° from vertical.
- IES classification = Type III
- BUG Rating: B1-U1-G1



Mounting Details (OLMB)

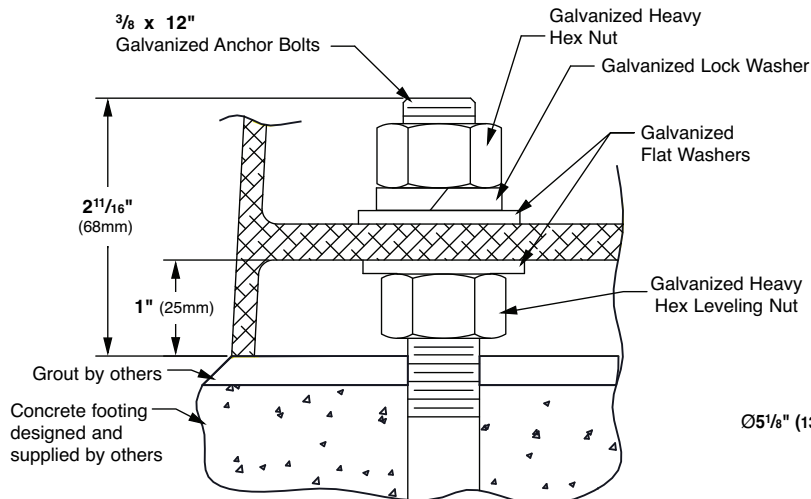


Bolt Circle (OLMB)

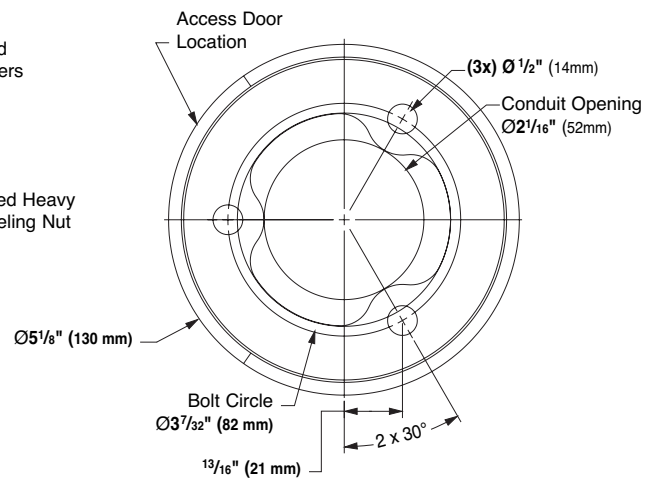


Note: Please contact Selux factory to verify above bolt circle template prior to installation

Mounting Details (OLPB)



Bolt Circle (OLPB)



Note: Please contact Selux factory to verify above bolt circle template prior to installation