

Date: _____ Customer: _____
 Project: _____
 Type: _____ Qty: _____



Twin Spot Module



Order Code: TM - _____ - _____ - _____ - _____ - _____

<u>TM</u>	Series	TM Twin Spot Module
_____	Optics	MB SB Medium Beam Spot Beam 34° 12°
_____	Light Engine	L44 44w
_____	CCT	30 40 3000k 4000K
_____	Voltage	UNV (120-277)
_____	Options	DM Dimming (0-10V)

Product Modifications

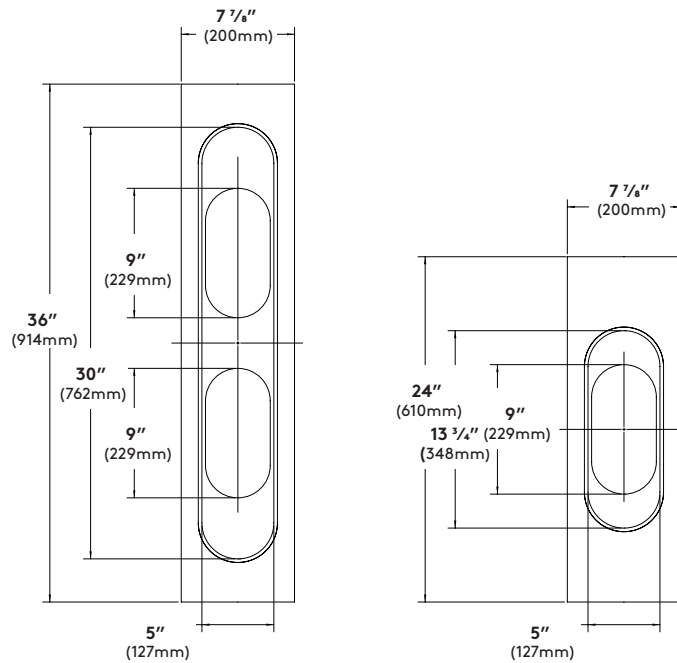
Please list modification requirements for review by factory:

Approvals



Date: _____

TS



Specifications

Fixture Housing – Die-cast low-copper and low-iron aluminum fixture body provide corrosion resistance in marine environments.

Gasketing – (not shown) Continuous gaskets provide weather-proofing, dust, and insect control between castings.

LED Light Engine – (not shown) High efficiency LED light engine equipped with brand-name LEDs, available in 3000K, 4000K, 5000K CCT tolerance within a 3-step MacAdams ellipse. Also Amber LEDs for monochromatic light. Suitable for max ambient temperatures up to 45°C.

Optics – (not shown) Proprietary vandal and UV resistant acrylic optic provides optimal light blending between quadrants.

5. Surge Protector – (not shown) Designed to protect luminaire from electrical surge (10kA).

6. Hi-Lo Switching Option – (not shown) Controlled switching between 100% and 30% power. See wiring diagrams for additional details.

7. Low Power Option – (not shown) 50% Lumen output in same physical package.

8. Light Chamber – Castings around Light Engine are painted with a matte black light absorbing powder coat. Meets International Dark-Sky Association (IDA) Requirements. BUG uplight rating "UO".

9. Low-Temperature Emergency Battery Pack Option – (not shown) Provide 90 minutes of constant-power egress lighting when external power is lost. -20°C to +55°C ambient temperature operation. Light Engine 1 only is powered. Powers single level 2Q90, 2Q180, 3Q or 4Q configurations at (refer to lumen matrix for lumen output on page 4.)

Exterior Luminaire Finish - Selux utilizes a high quality Polyester Powder Coating. All Selux luminaires and poles are finished in our Tiger Drylac certified facility and undergo a five stage intensive pretreatment process where product is thoroughly cleaned, phosphated and sealed. Selux powder coated products provide excellent salt and humidity resistance as well as ultraviolet resistance for color retention. All products are tested in accordance with test specifications for coatings from ASTM and PCI.

Standard exterior colors are White (WH), Black (BK), Bronze (BZ), and Silver (SV). Selux premium colors (SP) are available, please specify from your Selux color selection guide.

5 Year Limited LED Luminaire Warranty -

Selux offers a 5 Year Limited Warranty to the original purchaser that the Inula Column LED luminaire shall be free from defects in material and workmanship for up to five (5) years from date of shipment. This limited warranty covers the LED driver and LED array when installed and operated according to Selux instructions. For details, see "Selux Terms and Condition of Sale."

Listings and Ratings: Luminaire and LED tested to IESNA LM-79-08 standards. LED tested to LM-80 standards. Luminaire and LED tested at 25°C ambient temperature.

Luminaire suitable for ambient temperatures between -40°C (-40°F) to 45°C (113°F).

LED Life: LED light engine provides a reported lumen maintenance of 93% at 36,000 hours. L70 calculated greater than 100,000 hours.

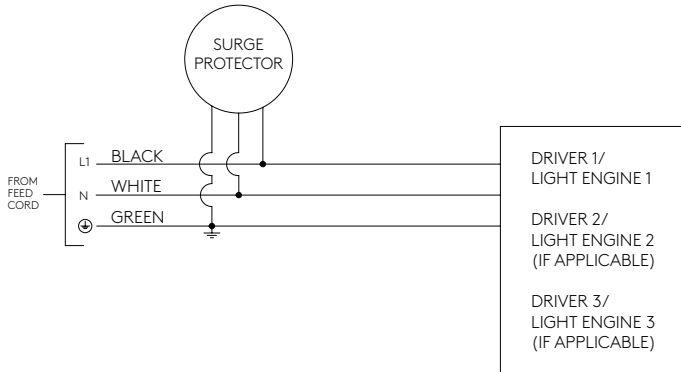
NRTL Listed (i.e. UL, CSA)

Visit selux.us for our LED End of Life recycling policy.

Wiring

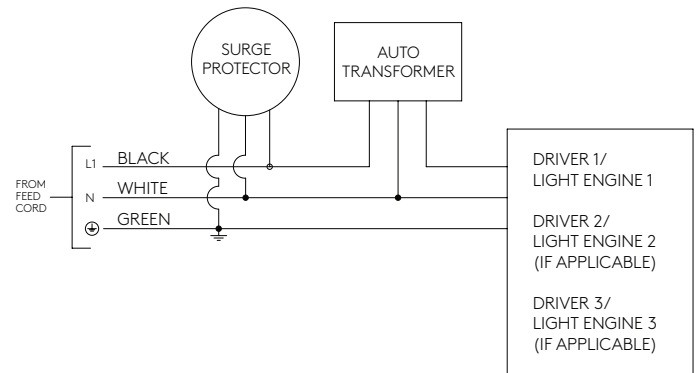
Standard Wiring for 120-277V

Standard Wiring for 120-277V with no additional options.



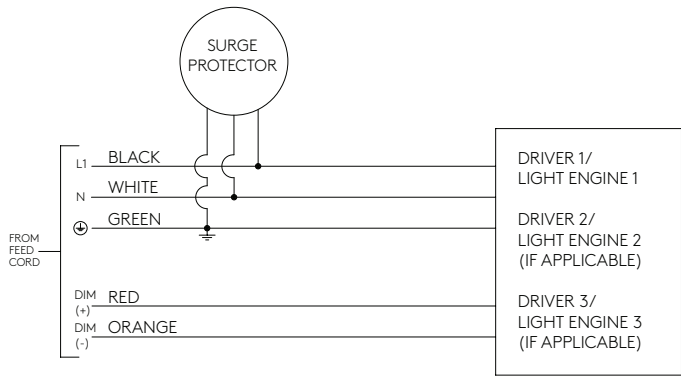
Standard Wiring for 347/480V

Standard Wiring for 347/480V with no additional options.



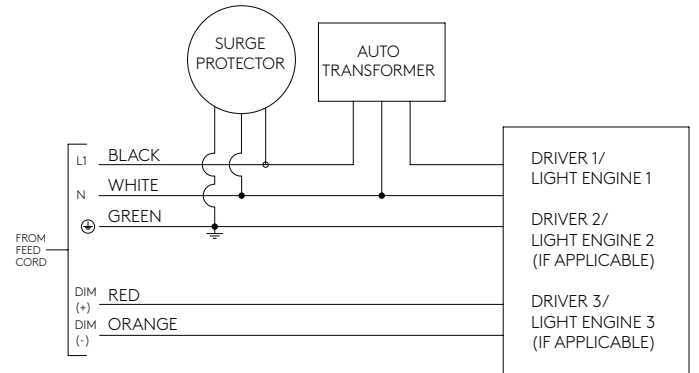
0-10V Dimming Option (DM) Wiring for 120-277V

100% light output at 10V, down to 1% light output at 0V.



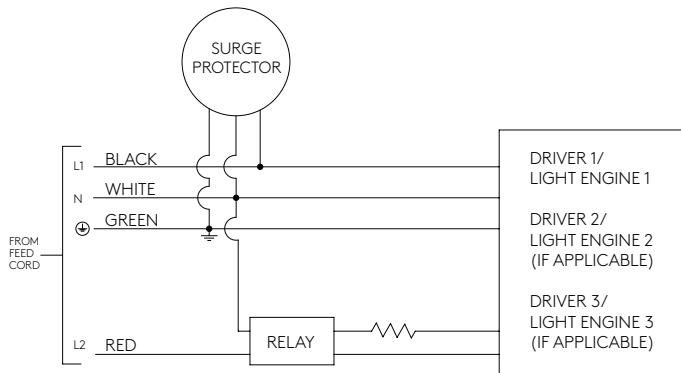
0-10V Dimming Option (DM) Wiring for 347/480V

100% light output at 10V, down to 1% light output at 0V.



Hi-Lo Switching Option (HL30) Wiring

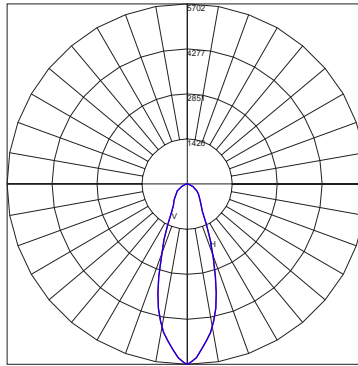
120/240/277V. When red energized, light output will be at "Lo" level.



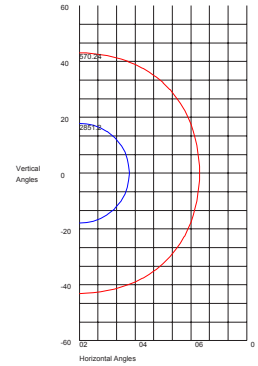
Photometry

MB / 44W LED / 3000K CCT

Catalog #: TB-MB-L44-30-UNV
 Report #: SX 2003 5 26-9
 Delievered Lumens: 3614
 Input Watts: 44 W
 Maximum candela of 5702.4 at 0° from vertical.
 CCT: 3000K



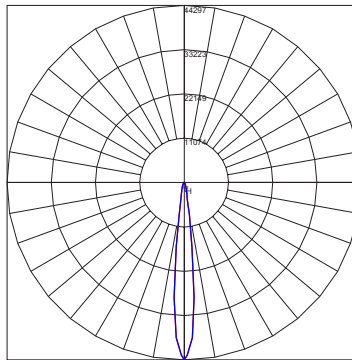
Maximum Candela = 5702.4 Located At Horizontal Angle = 0, Vertical Angle = 0
 H - Horizontal Axial Candela
 V - Vertical Axial Candela



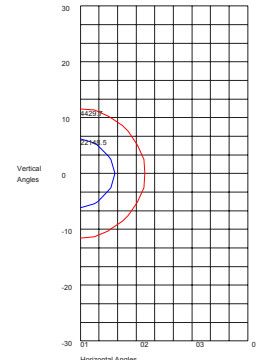
Maximum Candela = 5702.4 Located At Horizontal Angle = 0, Vertical Angle = 0
 50% Maximum Candela = 281.2
 10% Maximum Candela = 570.24

SB / 44W LED / 3000K CCT

Catalog #:TB-SB-L44-30-UNV.IES
 Report #: SX 2003 1 26-9
 Delievered Lumens: 3658
 Input Watts: 44 W
 Maximum candela of 44297 at 0° from vertical.
 CCT: 3000K



Maximum Candela = 44297 Located At Horizontal Angle = 0, Vertical Angle = 0
 H - Horizontal Axial Candela
 V - Vertical Axial Candela



Maximum Candela = 44297 Located At Horizontal Angle = 0, Vertical Angle = 0
 50% Maximum Candela = 22145.5
 10% Maximum Candela = 4429.7