

Date: \_\_\_\_\_ Customer: \_\_\_\_\_

Project: \_\_\_\_\_

Type: \_\_\_\_\_ Qty: \_\_\_\_\_



## Modular Inula Column LED



Order Code: MICL - - - - -

MICL	Series	MICL Modular Inula Column LED							
	Light Engine 1	1Q 15.2w/1130lm	2Q90 <sup>1</sup> 28.5w/2189lm	2Q180 28.5w/2189lm	3Q 42.0w/3267lm	4QS <sup>1</sup> 55.7w/4320lm	4QD 55.7w/4320lm	*Based on 5000K CCT <sup>1</sup> All light engines must be 2Q90 or 4QS	
	Light Engine 2	1Q 15.2w/1130lm	2Q90 <sup>1</sup> 28.5w/2189lm	2Q180 28.5w/2189lm	3Q 42.0w/3267lm	4QS <sup>1</sup> 55.7w/4320lm	4QD 55.7w/4320lm	XX None	*Based on 5000K CCT <sup>1</sup> All light engines must be 2Q90 or 4QS
	Light Engine 3	1Q 15.2w/1130lm	2Q90 <sup>1</sup> 28.5w/2189lm	2Q180 28.5w/2189lm	3Q 42.0w/3267lm	4QS <sup>1</sup> 55.7w/4320lm	4QD 55.7w/4320lm	XX None	*Based on 5000K CCT <sup>1</sup> All light engines must be 2Q90 or 4QS
	CCT	AM <sup>2</sup> Amber	30 <sup>2</sup> 3000K	40 4000K	50 5000K				<sup>2</sup> IDA Approved For other CCT please consult factory
	Finish	WH White	BK Black	BL Semi-Matte Black	BZ Bronze	SV Silver	SP Specify Premium Color		
	Voltage	120	208	240	277	347 <sup>3</sup>	480 <sup>3</sup>		*50 or 60 Hertz <sup>3</sup> Requires step down transformer, 60 Hertz Only
	Options	DM Dimming (0-10V)	HL30 <sup>4,5,6</sup> Hi-Lo Switching Low Output 30%	LP Low Power 50%					<sup>4</sup> 120-277V Only <sup>5</sup> Not at 208V <sup>6</sup> Not available with DM option

### Product Modifications

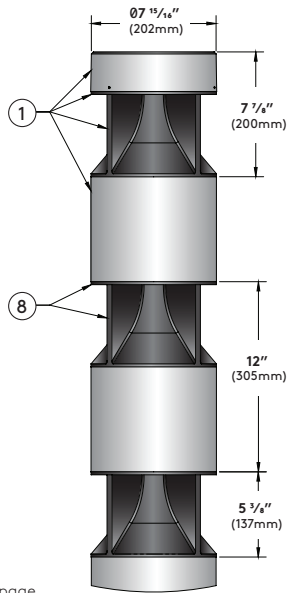
Please list modification requirements for review by factory:

### Approvals



Date: \_\_\_\_\_

**MICL-1-XX-DS**

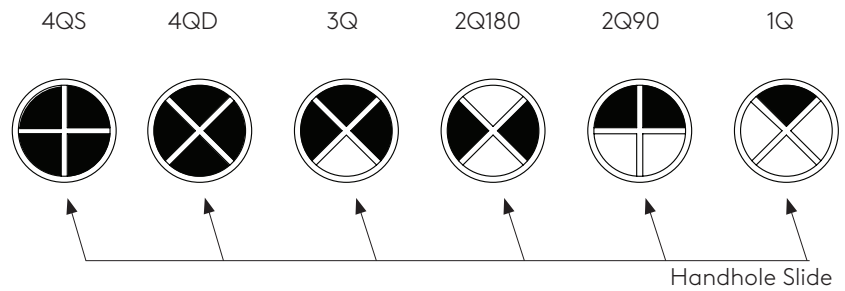


Net Weight (lbs.): See next page

**Specifications**

- 1. Fixture Housing** – Die-cast low-copper and low-iron aluminum fixture body provide corrosion resistance in marine environments.
- 2. Gasketing** – (not shown) Continuous gaskets provide weather-proofing, dust, and insect control between castings.
- 3. LED Light Engine** – (not shown) High efficiency LED light engine equipped with brand-name LEDs, available in 3000K, 4000K, 5000K CCT tolerance within a 3-step MacAdams ellipse. Also Amber LEDs for monochromatic light. Suitable for max ambient temperatures up to 45°C.
- 4. Optics** – (not shown) Proprietary vandal and UV resistant acrylic optic provides optimal light blending between quadrants.
- 5. Surge Protector** – (not shown) Designed to protect luminaire from electrical surge (10kA).
- 6. Hi-Lo Switching Option** – (not shown) Controlled switching between 100% and 30% power. See wiring diagrams for additional details.
- 7. Low Power Option** – (not shown) 50% Lumen output in same physical package.
- 8. Light Chamber** – Castings around Light Engine are painted with a matte black light absorbing powder coat. Meets International Dark-Sky Association (IDA) Requirements. BUG uplight rating “UO”.

LED Light Engine Distribution Guide



- 9. Low-Temperature Emergency Battery Pack Option** – (not shown) Provide 90 minutes of constant-power egress lighting when external power is lost. -20°C to +55°C ambient temperature operation. Light Engine 1 only is powered. Powers single level 2Q90, 2Q180, 3Q or 4Q configurations at (refer to lumen matrix for lumen output on page 4.)

**Exterior Luminaire Finish** - Selux utilizes a high quality Polyester Powder Coating. All Selux luminaires and poles are finished in our Tiger Drylac certified facility and undergo a five stage intensive pretreatment process where product is thoroughly cleaned, phosphated and sealed. Selux powder coated products provide excellent salt and humidity resistance as well as ultraviolet resistance for color retention. All products are tested in accordance with test specifications for coatings from ASTM and PCI.

Standard exterior colors are White (WH), Black (BK), Semi-Matte Black (BL), Bronze (BZ), and Silver (SV). Selux premium colors (SP) are available, please specify from your Selux color selection guide.

**5 Year Limited LED Luminaire Warranty** - Selux offers a 5 Year Limited Warranty to the original purchaser that the Inula Column LED luminaire shall be free from defects in material and workmanship for up to five (5) years from date of shipment. This limited warranty covers the LED driver and LED array when installed and operated according to Selux instructions. For details, see “Selux Terms and Condition of Sale.”

**Listings and Ratings:** Luminaire and LED tested to IESNA LM-79-08 standards. LED tested to LM-80 standards. Luminaire and LED tested at 25°C ambient temperature.

**Luminaire tested to IK10 standard and IDA Approved.**

**Luminaire suitable for ambient temperatures between -40°C (-40°F) to 45°C (113°F).**

**LED Life:** LED light engine provides a reported lumen maintenance of 93% at 36,000 hours. L70 calculated greater than 100,000 hours.

**NRTL Listed (i.e. UL, CSA)**

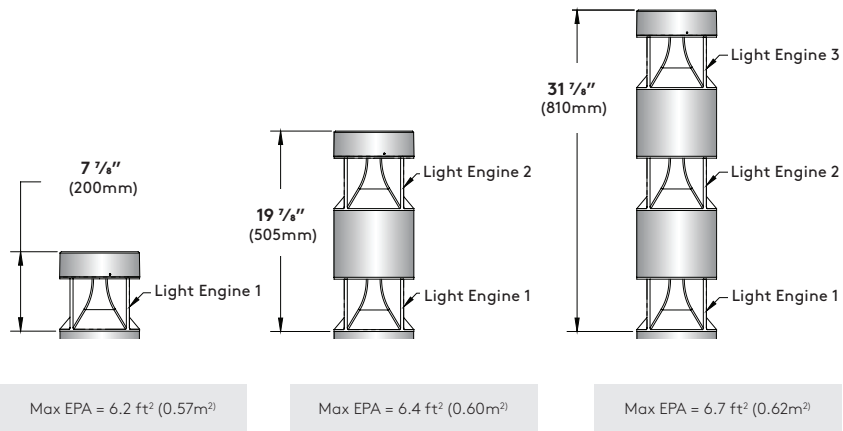
**Visit [selux.us](http://selux.us) for our LED End of Life recycling policy.**

Mounting MICL-XX-4QD

**1 Level**  
Single stack column

**2 Level**  
Double stack column

**3 Level**  
Triple stack column



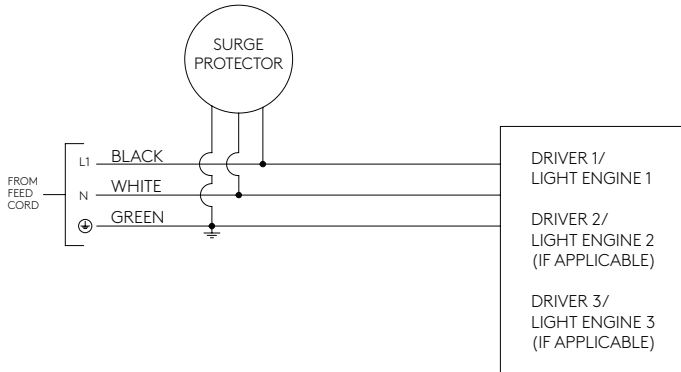
MICL-1-XX-DS

ELECTRICAL SPECIFICATIONS WHEN ALL LIGHT ENGINES ARE THE SAME @ 120-277VAC [@347-480VAC]																		
Light Engine			4QD/4QS				3Q				2Q180/2Q90				1Q			
LED CCT			3000K	4000K	5000K	AMBER	3000K	4000K	5000K	AMBER	3000K	4000K	5000K	AMBER	3000K	4000K	5000K	AMBER
1 LEVEL COLUMN	LOW POWER (LP) OPTION	Delivered Lumens (lm)	2021		2160		1529		1634		1024		1095		529		565	
		Wattage (W)	27.9 [30.4]			N/A	21.0 [22.9]			N/A	14.3 [15.6]			N/A	7.6 [8.3]			N/A
		Efficacy (lm/W)	72.6 [66.6]		77.6 [71.2]		72.8 [66.7]		77.8 [71.3]		71.8 [65.8]		76.8 [70.4]		69.5 [63.7]		74.3 [68.1]	
	STANDARD POWER	Delivered Lumens (lm)	4042		4320	446	3057		3267	337	2047		2189	226	1057		1130	117
		Wattage (W)	55.7 [60.7]			20.7 [22.6]	42.0 [45.8]				28.5 [31.1]			10.6 [11.6]	15.2 [16.6]			5.6 [6.2]
		Efficacy (lm/W)	72.6 [66.6]		77.6 [71.2]	21.6 [19.7]	72.8 [66.7]		77.8 [71.3]	21.6 [19.8]	71.8 [65.8]		76.8 [70.4]	21.3 [19.5]	69.5 [63.7]		74.3 [68.1]	20.9 [18.9]
2 LEVEL COLUMN	LOW POWER (LP) OPTION	Delivered Lumens (lm)	4083		4364		3088		3300		2068		2210		1068		1141	
		Wattage (W)	56.9 [62.0]			N/A	42.8 [46.7]			N/A	29.2 [31.8]			N/A	15.5 [16.9]			N/A
		Efficacy (lm/W)	71.8 [65.9]		76.7 [70.4]		72.1 [66.1]		77.1 [70.7]		70.8 [65.0]		75.7 [69.5]		68.9 [63.2]		73.6 [67.5]	
	STANDARD POWER	Delivered Lumens (lm)	8166		8728	901	6176		6601	681	4136		4420	456	2135		2282	236
		Wattage (W)	113.8 [124.0]			42.3 [46.2]	85.7 [93.3]			31.9 [34.8]	58.3 [63.4]			21.7 [23.7]	31.0 [33.8]			11.5 [12.6]
		Efficacy (lm/W)	71.8 [65.9]		76.7 [70.4]	21.3 [19.5]	72.1 [66.1]		77.1 [70.7]	21.3 [19.6]	70.8 [65.0]		75.7 [69.5]	21.0 [19.2]	68.9 [63.2]		73.6 [67.5]	20.5 [18.7]
3 LEVEL COLUMN	LOW POWER (LP) OPTION	Delivered Lumens (lm)	6130		6551		4636		4955		3104		3318		1603		1713	
		Wattage (W)	85.1 [92.7]			N/A	64.1 [69.8]			N/A	43.6 [47.5]			N/A	23.2 [25.3]			N/A
		Efficacy (lm/W)	72.1 [66.1]		77.0 [70.7]		72.3 [66.4]		77.3 [71.0]		71.2 [65.3]		76.1 [69.9]		69.1 [63.4]		73.8 [67.7]	
	STANDARD POWER	Delivered Lumens (lm)	12259		13102	1353	9272		9909	1023	6208		6635	685	3206		3426	354
		Wattage (W)	170.1 [185.4]			63.2 [69.0]	128.0 [139.5]			47.5 [51.8]	87.2 [95.0]			32.4 [35.5]	46.3 [50.5]			17.1 [18.9]
		Efficacy (lm/W)	72.1 [66.1]		77.0 [70.7]	21.4 [19.6]	72.3 [66.4]		77.3 [71.0]	21.5 [19.8]	71.2 [65.3]		76.1 [69.9]	21.1 [19.3]	69.1 [63.4]		73.8 [67.7]	20.7 [18.7]

**Wiring**

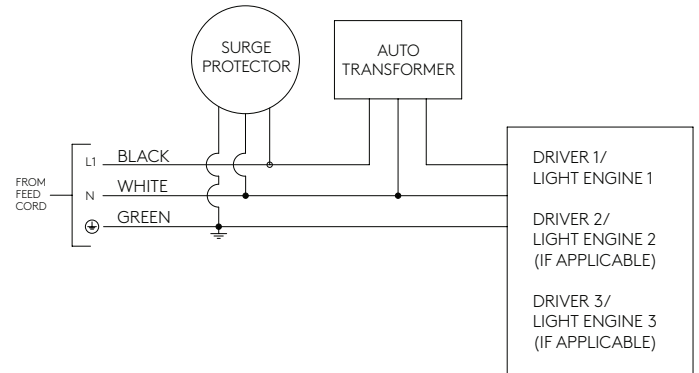
**Standard Wiring for 120-277V**

Standard Wiring for 120-277V with no additional options.



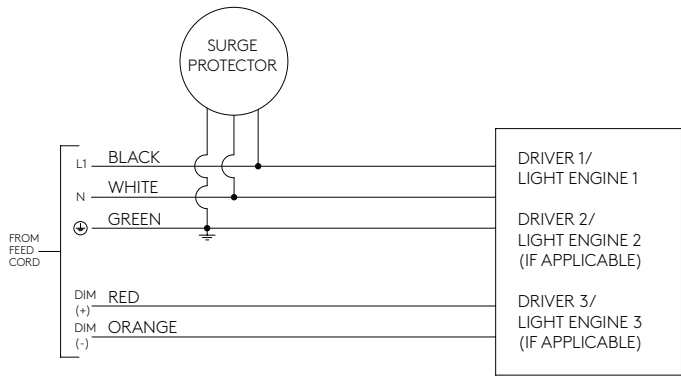
**Standard Wiring for 347/480V**

Standard Wiring for 347/480V with no additional options.



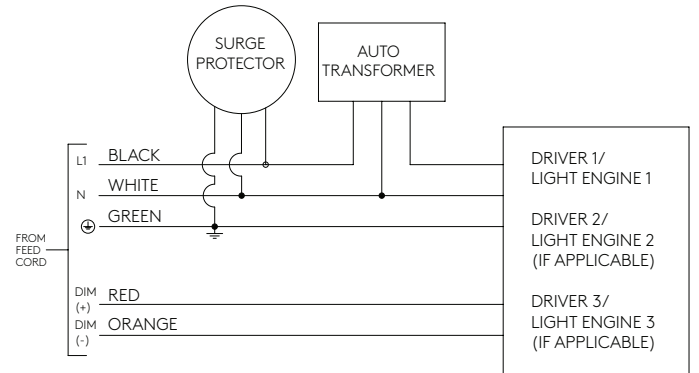
**0-10V Dimming Option (DM) Wiring for 120-277V**

100% light output at 10V, down to 1% light output at 0V.



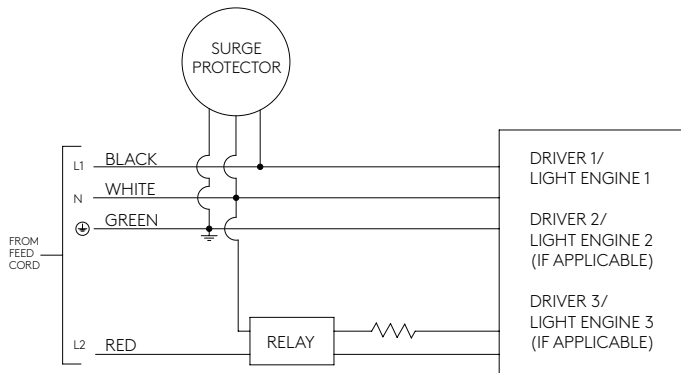
**0-10V Dimming Option (DM) Wiring for 347/480V**

100% light output at 10V, down to 1% light output at 0V.



**Hi-Lo Switching Option (HL30) Wiring**

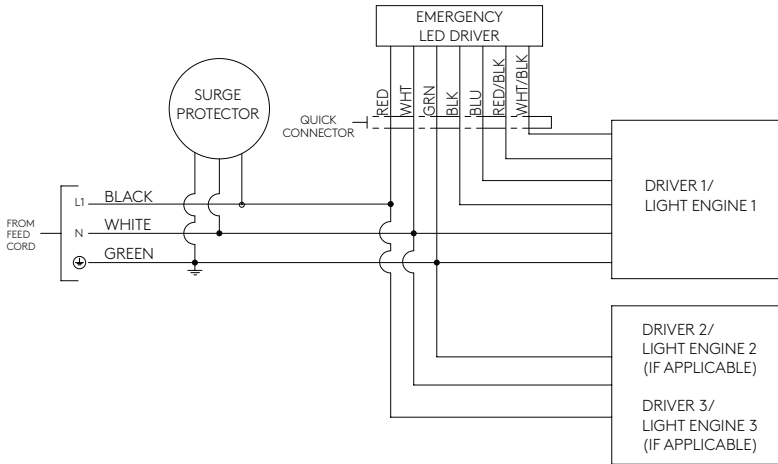
120/240/277V. When red energized, light output will be at "Lo" level.



**Wiring**

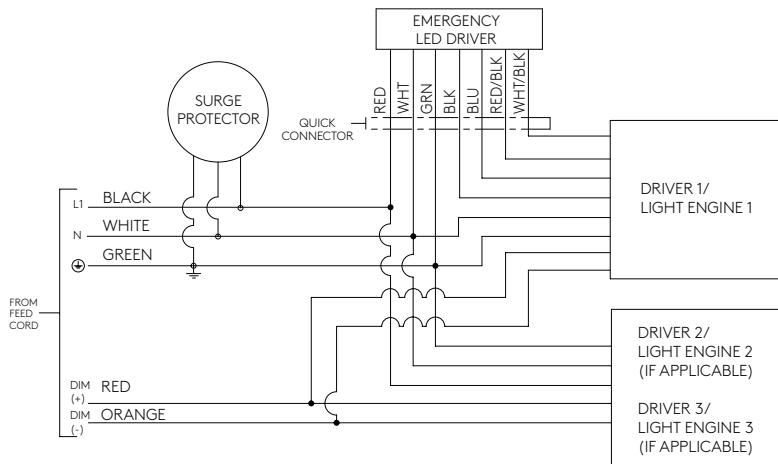
**Standard Wiring for 120-277V with (EM) Option**

Standard Wiring for 120-277V with (EM) option.



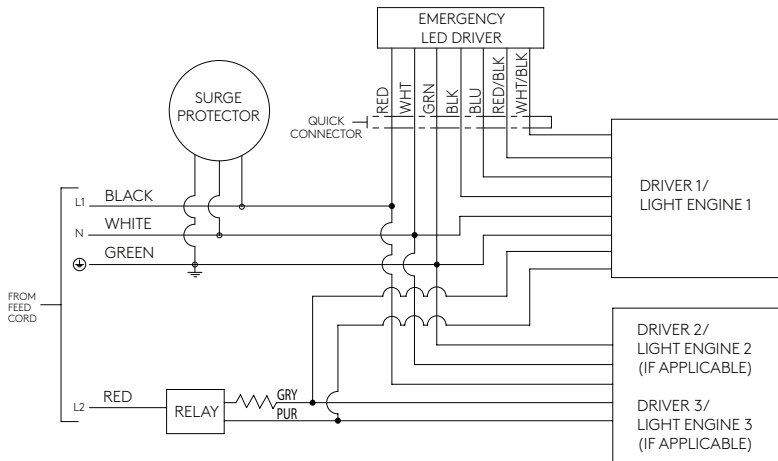
**0-10V Dimming Option (DM) Wiring for 120-277V with (EM) Option**

100% light output at 10V, down to 1% light output at 0V.



**Hi-Lo Switching Option (HL30) Wiring with (EM) Option**

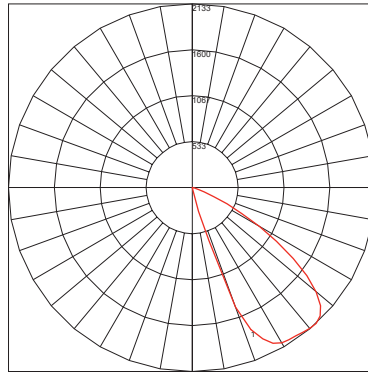
120/240/277V. When red energized, light output will be at "Lo" level.



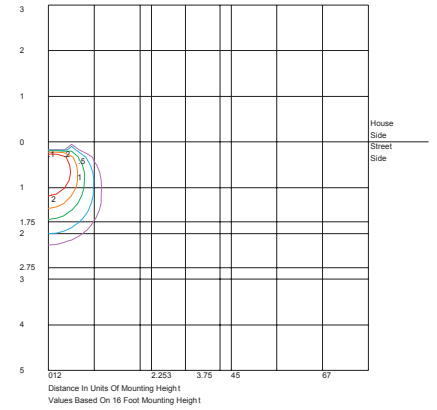
**Photometry**

**1Q / 15W LED / 5000K CCT**

Catalog #: MICL-X-1Q-50-XX-120-DS  
 Report #: 1234579-50  
 Maximum candela of 2133 at 42.5° from vertical.  
 Power Factor:0.995  
 Total Harmonic Distortion: 7.35%  
 CRI: 80.2  
 CCT: 5000K  
 1130 Delivered Lumens  
 74 Lumens per Watt  
 B0-U0-G0



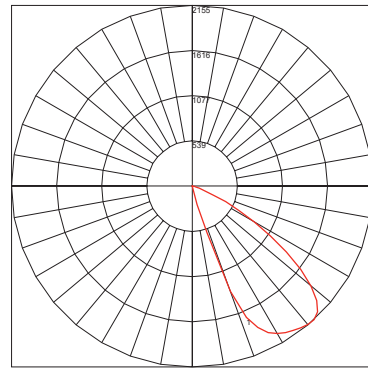
Maximum Candela = 2133.006 Located At Horizontal Angle = 0, Vertical Angle = 42.5  
 # 1 - Vertical Plane Through Horizontal Angles (0 - 180) (Through Max. Cd.)



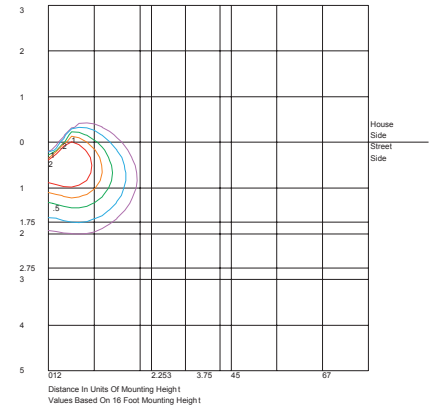
Distance In Units Of Mounting Height  
 Values Based On 16 Foot Mounting Height

**2Q90 / 28W LED / 5000K CCT**

Catalog #: MICL-X-2Q90-50-XX-120-DS  
 Report #: 1234576-50  
 Maximum candela of 2154.707 at 42.5° from vertical.  
 Power Factor:0.995  
 Total Harmonic Distortion: 7.35%  
 CRI: 80.2  
 CCT: 5000K  
 2188 Delivered Lumens  
 77 Lumens per Watt  
 B0-U0-G0



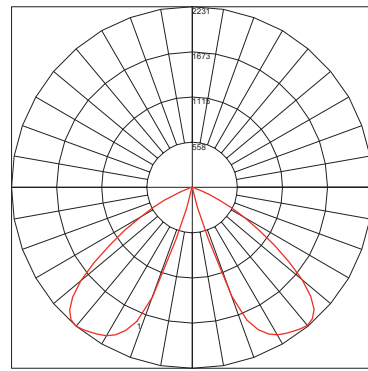
Maximum Candela = 2154.707 Located At Horizontal Angle = 45, Vertical Angle = 42.5  
 # 1 - Vertical Plane Through Horizontal Angles (45 - 225) (Through Max. Cd.)



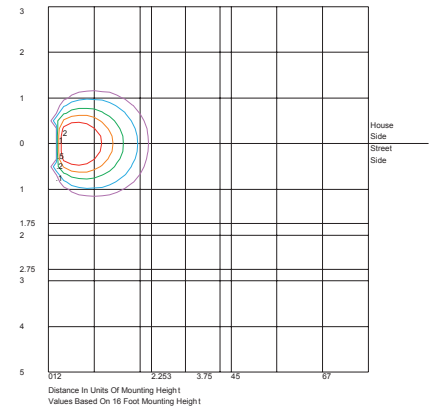
Distance In Units Of Mounting Height  
 Values Based On 16 Foot Mounting Height

**2Q180 / 29W LED / 5000K CCT**

Catalog #: MICL-X-2Q180-50-XX-120-DS  
 Report #: 1234577-50  
 Maximum candela of 2230.607 at 40° from vertical.  
 Power Factor:0.995  
 Total Harmonic Distortion: 7.35%  
 CRI: 80.2  
 CCT: 5000K  
 2189 Delivered Lumens  
 77 Lumens per Watt  
 B1-U0-G0



Maximum Candela = 2230.607 Located At Horizontal Angle = 92.5, Vertical Angle = 40  
 # 1 - Vertical Plane Through Horizontal Angles (92.5 - 272.5) (Through Max. Cd.)

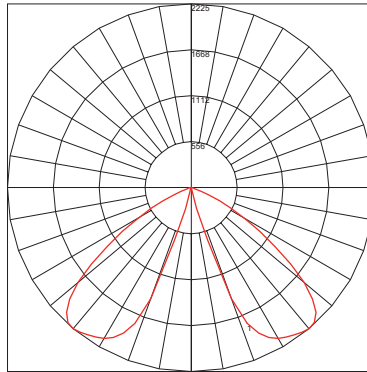


Distance In Units Of Mounting Height  
 Values Based On 16 Foot Mounting Height

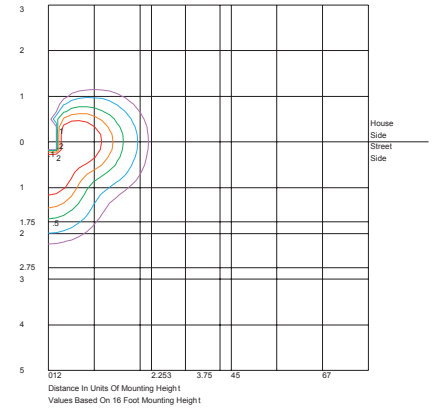
**Photometry**

**3Q / 42W LED / 5000K CCT**

Catalog #: MICL-X-3Q-50-XX-120-DS  
 Report #: 1234578-50  
 Maximum candela of 2224.513 at 40° from vertical.  
 Power Factor: 0.995  
 Total Harmonic Distortion: 7.35%  
 CRI: 80.2  
 CCT: 5000K  
 3267 Delivered Lumens  
 78 Lumens per Watt  
 B1-U0-G0

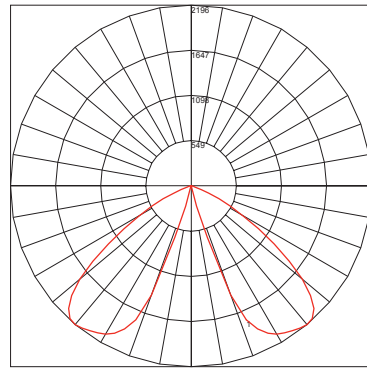


Maximum Candela = 2224.513 Located At Horizontal Angle = 90, Vertical Angle = 40  
 # 1 - Vertical Plane Through Horizontal Angles (90 - 270) (Through Max. Cd.)

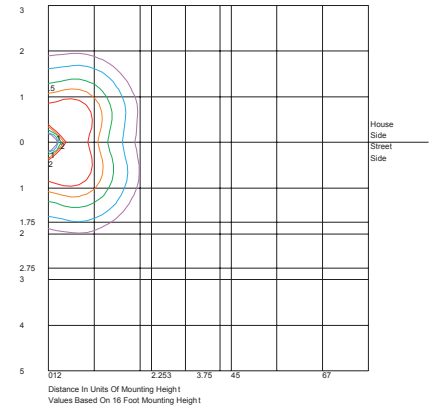


**4QS / 56W LED / 5000K CCT**

Catalog #: MICL-X-4QS-50-XX-120-DS  
 Report #: 1234579-50  
 Maximum candela of 2196 at 40° from vertical.  
 Power Factor: 0.995  
 Total Harmonic Distortion: 7.35%  
 CRI: 80.2  
 CCT: 5000K  
 4320 Delivered Lumens  
 78 Lumens per Watt  
 B2-U0-G0

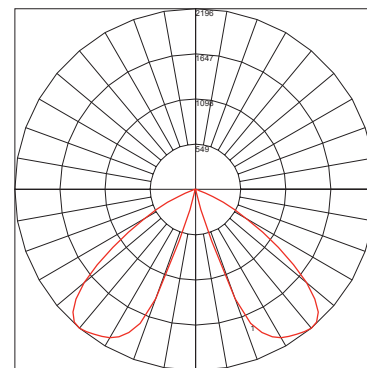


Maximum Candela = 2195.757 Located At Horizontal Angle = 90, Vertical Angle = 40  
 # 1 - Vertical Plane Through Horizontal Angles (90 - 270) (Through Max. Cd.)



**4QD / 56W LED / 5000K CCT**

Catalog #: MICL-X-4QD-50-XX-120-DS  
 Report #: 1234579-50  
 Maximum candela of 2196 at 40° from vertical.  
 Power Factor: 0.995  
 Total Harmonic Distortion: 7.35%  
 CRI: 80.2  
 CCT: 5000K  
 4320 Delivered Lumens  
 78 Lumens per Watt  
 B2-U0-G0



Maximum Candela = 2195.757 Located At Horizontal Angle = 90, Vertical Angle = 40  
 # 1 - Vertical Plane Through Horizontal Angles (90 - 270) (Through Max. Cd.)

