

Date: _____ Customer: _____

Project: _____

Type: _____ Qty: _____



Modular Exelia Tritec LED



Order Code: MEXTL - - - - -

MEXTL	Series	MEXTL Modular Exelia Tritec LED					
	Optic	TS Tritec Symmetric	TA Tritec Asymmetric				
	Light Engine	L26 Single Stack	L50 Double Stack	L75 Triple Stack	L100 Quad Stack		
	CCT	30 3000K	40 4000K	* For other CCT please consult factory			
	Finish	WH White	BK Black	BL Semi-Matte Black	BZ Bronze	SV Silver	SP Specify Premium Color
	Voltage	UNV ¹	347 ²	480 ²	¹ 120-277V ² Requires step-down transformer		
	Options	DM Dimming (0-10V)	HL30 ^{3,4} Hi-Lo Switching Low Output 30%	HL50 ^{3,4} Hi-Lo Switching 50%	HS House Side Shield	³ 120V, 240V and 277V only ⁴ Cannot be combined with DM	

Product Modifications

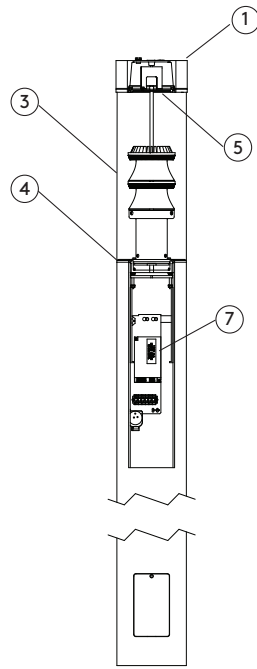
Please list modification requirements for review by factory:

Approvals



Date: _____

MEXTL



Specifications

1. Luminaire Cover / External Heat Sink - Low copper, marine-grade aluminum die cast cover, with shroud for smooth crisp form to reflect and complement the column design. Designed for optimal heat dissipation even in high temperature environments.

2. Gasketing - (not shown) Continuous one piece gaskets made from UV and ozone resistant silicone. Molded gaskets ensure IP65 rating, dust, and insect control throughout the luminaire head.

3. Shielding - Clear, impact resistant, UV stabilized polycarbonate cylinder creates optical chamber, minimum wall thickness 0.118" (3mm). IK10 rated.

4. Column Fitter - Low copper, marine-grade aluminum die-cast fitter, with built-in gasketing ridges, for smooth transition to column.

5. LED Array - (not shown) Mid-power LEDs mounted to aluminum core PC boards and attached to aluminum heat sink for maximum LED performance and life. CCT tolerance 1/4 step binning for 3000K. CRI minimum 80K. Complete light engine can be removed easily for future upgrade. LED light engine provides a reported lumen maintenance of 93% at 50,000 hours. L70 calculated greater than 100,000 hours.

6. LED Optics - Symmetric or Asymmetric distributions created by conical textured reflector and patterned acrylic reveal with alternate LED PCB layouts. Type V and Type IV IES distribution types. An indirect lighting affect spreads brightness and improves visual appearance.

7. LED Driver - LEDs are driven by RoHS compliant constant current programmable LED driver. Driver includes 0-10V dimming to 10%, meets the requirements of IP66. Driver assembly located inside the column and accessible through the upper hand hole.

8. Surge Protector - (not shown) Independent surge protector device designed to protect luminaire from electrical surge up to standard 20kA surge protector optional.

Exterior Luminaire Finish - Selux utilizes a high quality Polyester Powder Coating. All Selux luminaires and poles are finished in our Tiger Drylac certified facility and undergo a five stage intensive pretreatment process where product is thoroughly cleaned, phosphated and sealed. Selux powder coated products provide excellent salt and humidity resistance as well as ultraviolet resistance for color retention. All products are tested in accordance with test specifications for coatings from ASTM and PCI.

Standard exterior colors are White (WH), Black (BK), Semi-Matte Black (BL), Bronze (BZ), and Silver (SV). Selux premium colors (SP) are available, please specify from your Selux color selection guide.

5 Year Limited LED Luminaire Warranty - Selux offers a 5 Year Limited Warranty to the original purchaser that the Exelia LED luminaire shall be free from defects in material and workmanship for up to five (5) years from date of shipment. This limited warranty covers the LED driver and LED array when installed and operated according to Selux instructions. For details, see "Selux Terms and Condition of Sale."

Listings and Ratings: Tested to NRTL Wet Location and IESNA LM-79-08 standards. LED tested to LM-80 standards. Luminaire and LED tested at 25°C (77°F) ambient temperature.

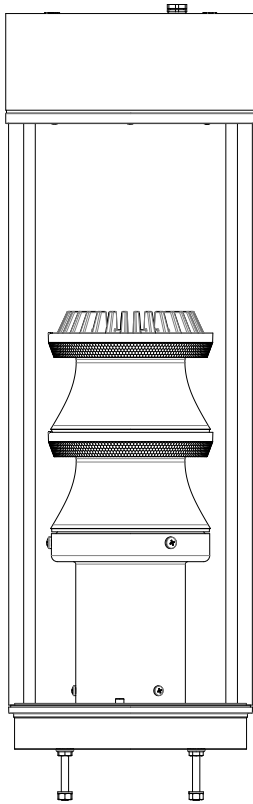
NRTL Listed (i.e. UL, CSA)

Visit selux.us for our LED End of Life recycling policy.

Ambient Temperature Chart (standard)	
Minimum	Maximum
-40° C (-40° F)	45° C (113° F)

MEXTL

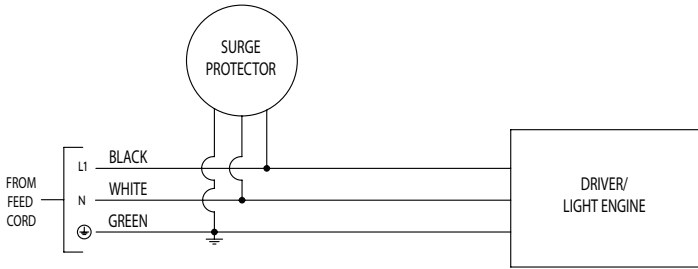
Mounting Information



Wiring

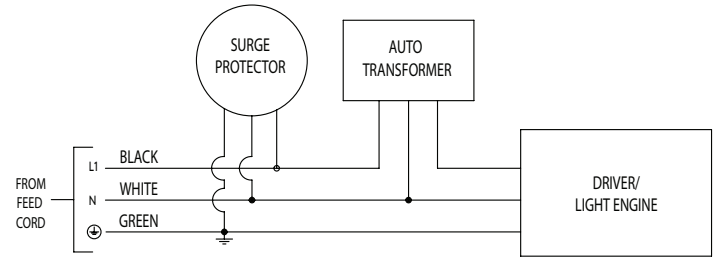
Standard Wiring for 120-277V and UNV

Standard Wiring for 120-277V with no additional options.



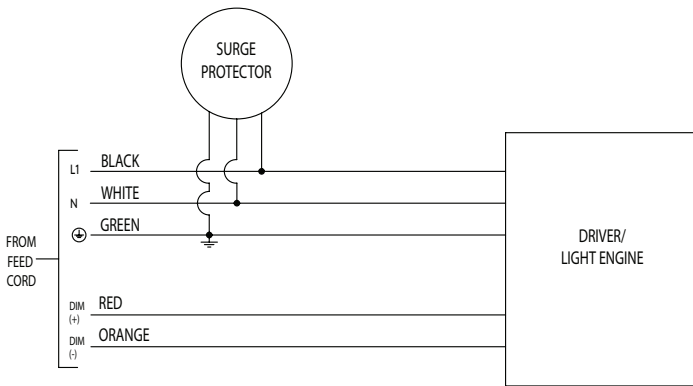
Standard Wiring for 347/480V

Standard Wiring for 347/480V with no additional options.



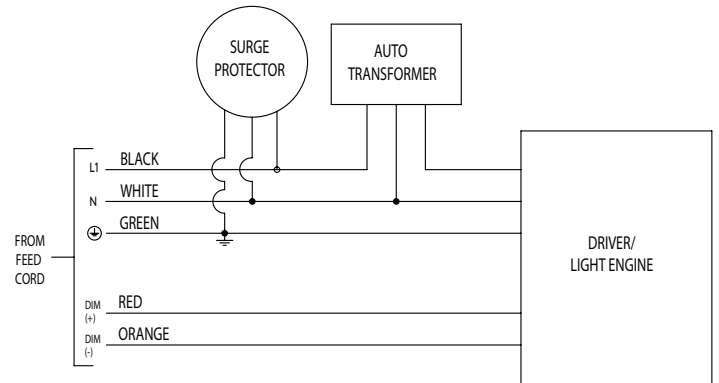
0-10V Dimming Option (DM) Wiring for 120-277V and UNV

100% light output at 10V, down to 10% light output at 0V.



0-10V Dimming Option (DM) Wiring for 347/480V

100% light output at 10V, down to 10% light output at 0V.



Hi-Lo Switching Option (HL50) Wiring

120/240/277V. When red (L2) is energized, light output will be at "Lo" level.

HL50 equals 50% system power at "Lo" setting. For other values, please consult factory.

