

Date: _____ Customer: _____
 Project: _____
 Type: _____ Qty: _____



Modular Corral® Column LED



Order Code: MCCL - _____ - _____ - _____ - _____ - _____ - _____

MCCL	Series	MCCL Modular Corral Column LED						
	Nominal Ht. of Lit Section	2 2'	3 3'	4 4'				
	Light Engine	1B30	2B30	3B30	4B30	See p. 9 for details		
	CCT	27 2700K	30 3000K	35 3500K	40 4000K	For other CCT please consult factory		
	Finish	WH White	BK Black	BL Semi-Matte Black	BZ Bronze	SV Silver	SP Specify Premium Color	
	Voltage	120	208	240	277	347 ¹	480 ¹	¹ Requires step down transformer
	Options	DM Dimming (0-10V)	HL50 ² Hi-Lo Switching	² 120V, 240V, and 277V only				

Product Modifications

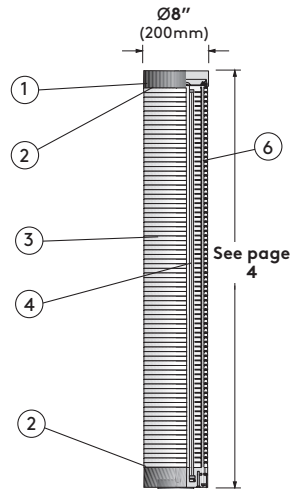
Please list modification requirements for review by factory:

Approvals



Date: _____

MCCL



Specifications

1. Luminaire Cover - Die-cast aluminum cover, with smooth crisp form to reflect and complement the column design. Removes by loosening three stainless steel set screws for easy access to lamp chamber.

2. Gasketing - Continuous gaskets provide weather-proofing, dust, and insect control at base of column, and fixture cover.

3. Shielding - White, translucent, UV stabilized acrylic, minimum wall thickness 0.118" (3mm) inside of die cast aluminum "Corral®" rings.

4. LED Light Engine - High efficiency LED light engine equipped with brand-name LEDs, available in 2700K, 3000K, 3500K, or 4000K CCT / Tolerance within a 3-step MacAdams ellipse.

5. Drivers - (not shown) Electronic universal 120-277V, PFC > 0.95

6. Diffuser - LED optimized UV resistant material ensures evenly lit Corral® rings at high transmittance.

8. Column Fitter - (not shown) Die-cast aluminum fitter, with built-in gasketing ridges, for smooth transition to column.

9. Surge Protector - (not shown) Designed to protect luminaire from electrical surge (10kA).

11. Hi-Lo Switching - (not shown) For details, please see page 6.

12. Thermal Foldback - (not shown) Integrated Thermal Foldback circuit will reduce the drive current if the ambient temperature exceeds the maximum rated ambient temperature. This ensures maximum light output in various operating conditions, while assuring long-term lumen maintenance.

Exterior Luminaire Finish -

Selux utilizes a high quality Polyester Powder Coating. All Selux luminaires and poles are finished in our Tiger Drylac certified facility and undergo a five stage intensive pretreatment process where product is thoroughly cleaned, phosphated and sealed. Selux powder coated products provide excellent salt and humidity resistance as well as ultraviolet resistance for color retention. All products are tested in accordance with test specifications for coatings from ASTM and PCI.

Standard exterior colors are White (WH), Black (BK), Semi-Matte Black (BL), Bronze (BZ), and Silver (SV). Selux premium colors (SP) are available, please specify from your Selux color selection guide.

5 Year Limited LED Luminaire Warranty -

Selux offers a 5 Year Limited Warranty to the original purchaser that the MTR Column LED

luminaire shall be free from defects in material and workmanship for up to five (5) years from date of shipment. This limited warranty covers the LED driver and LED array when installed and operated according to Selux instructions. For details, see "Selux Terms and Condition of Sale."

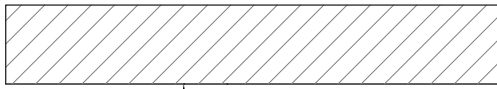
Listings and Ratings: Tested to NRTL Wet Location and IESNA LM-79-08 standards. LED tested to LM-80 standards. Luminaire and LED tested at 25°C (77°F) ambient temperature.

NRTL Listed (i.e. UL, CSA)

Visit selux.us for our LED End of Life recycling policy.

Ambient Temperature Chart (standard)	
Minimum	Maximum
-35° C (-31° F)	45° C (113° F)

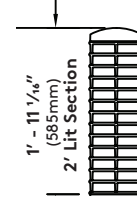
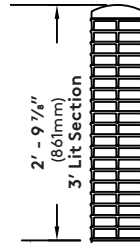
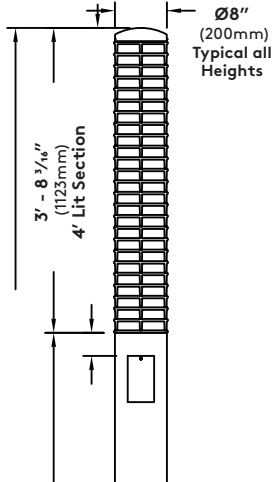
Mounting - MCCL



*Minimum clearance required
(for maintenance or future upgrades)

*consult factory for alternative recommendations
if access above fixture is not available

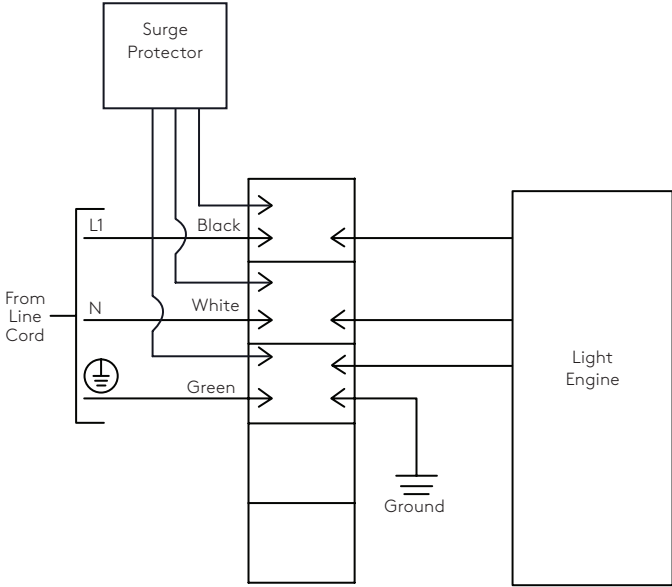
- 4' head = 60" (1524mm)
- 3' head = 48" (1219mm)
- 2' head = 36" (914mm)



Wiring

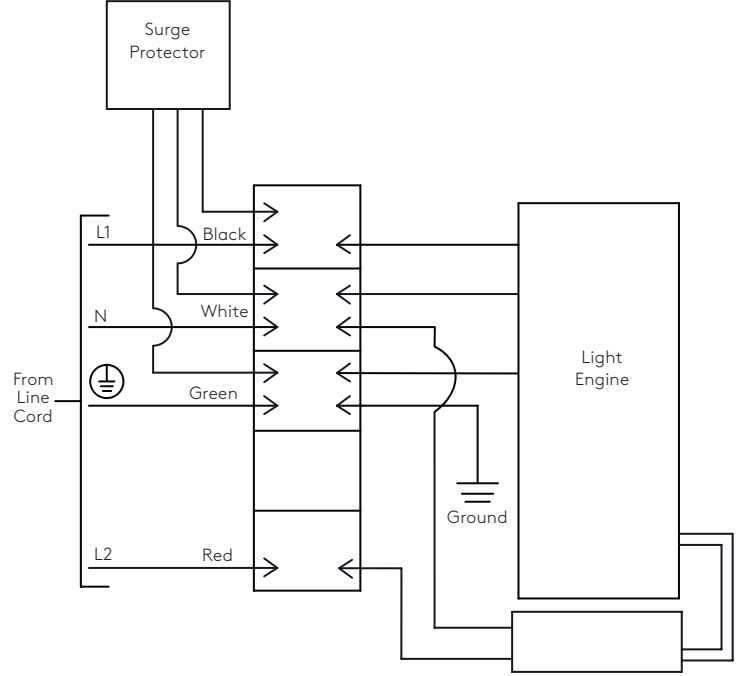
Standard Single Wiring

For 120-277V



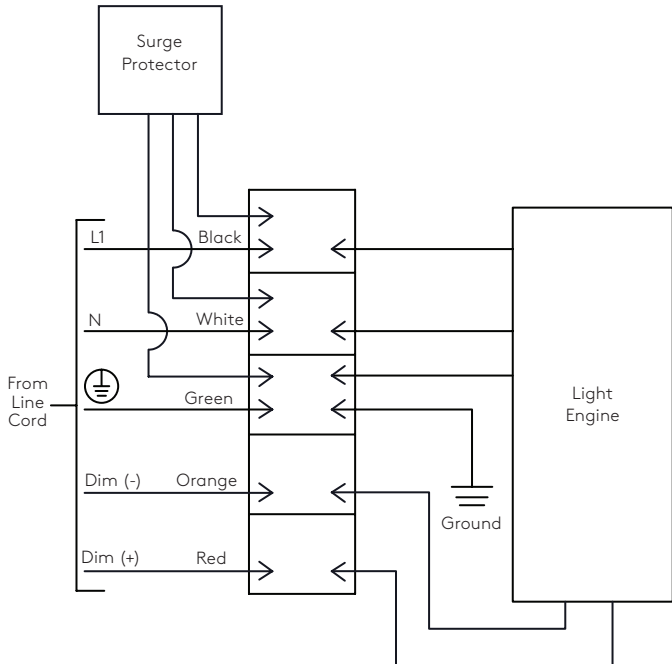
Hi-Lo Switching Option (HL) Wiring

For 120-277V. When red is energized, light output will be at "Lo" level. Standard HL level: HL50 = low output, 50%. For other "Lo" levels, consult factory.



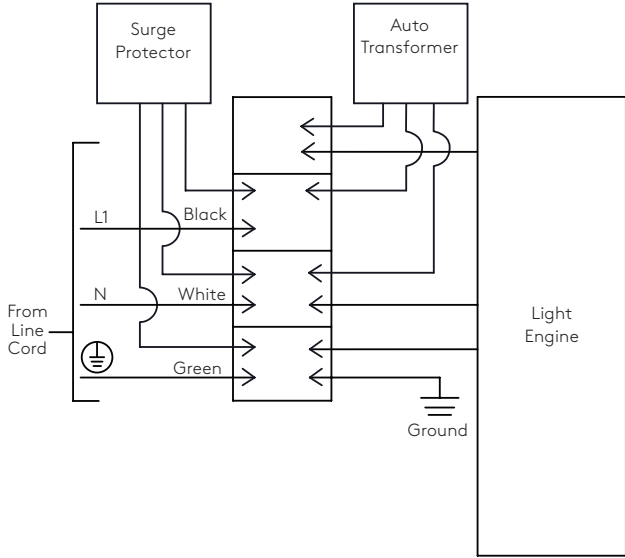
0-10V Dimming Option (DM) Wiring

For 120-277V

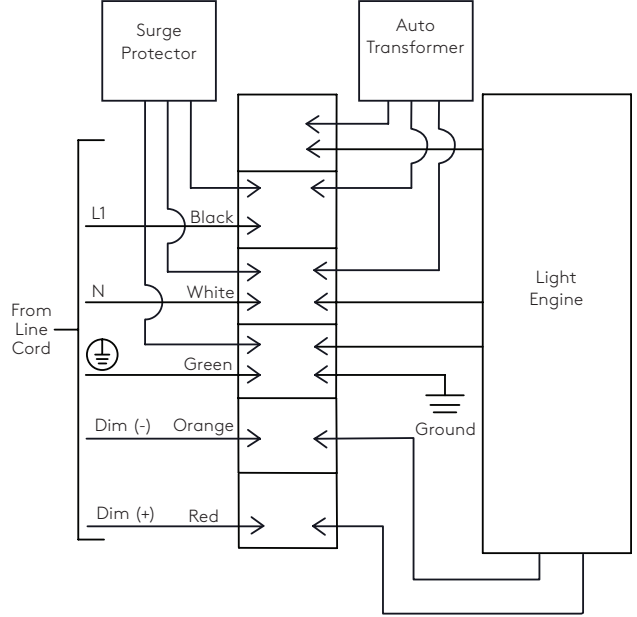


Wiring

347/ 480V (Standard)



347/480V with 0-10V Dimming Option



Energy Consumption*

LED Information	4000K CCT											
	1B30			2B30			3B30			4B30		
Lit Section Height	2'	3'	4'	2'	3'	4'	2'	3'	4'	2'	3'	4'
Delivered Lumens (lm)	1187	1781	2374	2275	3413	4551	3364	5064	6728	4452	6678	8904
Wattage (W)	17	25	34	32	48	64	46	69	93	60	90	120
Efficacy (lm/W)	71	71	71	71	71	71	73	73	73	74	74	74

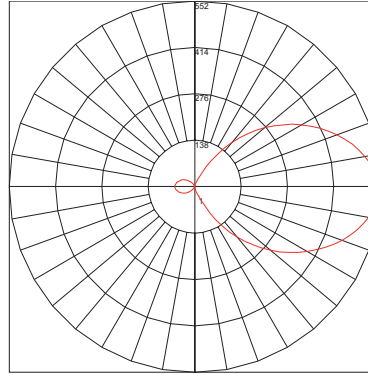
Conversion Chart (Values based on 4000K)	
CCT	Multiply
2700K	0.94
3000K	0.95
3500K	0.98
4000K	1.00

*Data based on 350mA LED driver current.

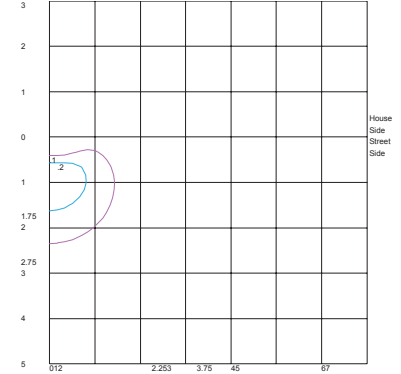
Photometry

MCCL / 1B30 / 3000K CCT

Catalog #: CCTL-12-4-1B30-30-120
 Delivered Lumens: 2374
 Input Watts: 27W
 Efficacy: 71 lm/W
 CRI: 95
 Maximum candela of 552 at 87.5° from vertical.
 IES classification: Type IV
 Mounting Height = 12' (3.66 m)
 B0-U4-G2
 Power Factor: 0.97
 Total Harmonic Distortion: 11.7%



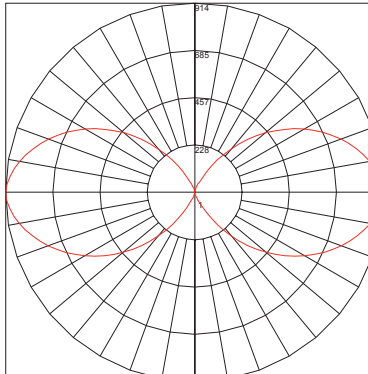
Maximum Candela = 552.369 Located At Horizontal Angle = 355, Vertical Angle = 87.5
 # 1 - Vertical Plane Through Horizontal Angles (355 - 175) (Through Max. Cd.)



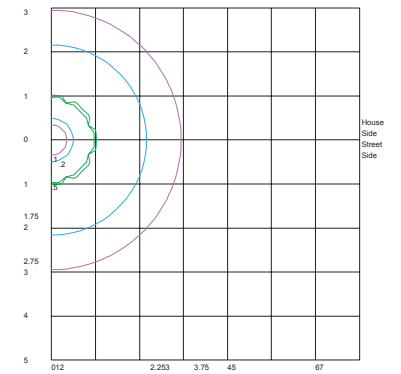
Distance In Units Of Mounting Height
 Values Based On 10 Foot Mounting Height

MCCL / 4B30 / 3000K CCT

Catalog #: CCTL-12-4-4B30-30-120
 Delivered Lumens: 6862
 Input Watts: 106W
 Efficacy: 74 lm/W
 CRI: 84
 Maximum candela of 806 at 90° from vertical.
 IES classification: Type V
 Mounting Height = 12' (3.66 m)
 B2-U5-G3
 Power Factor: 0.97
 Total Harmonic Distortion: 11.7%

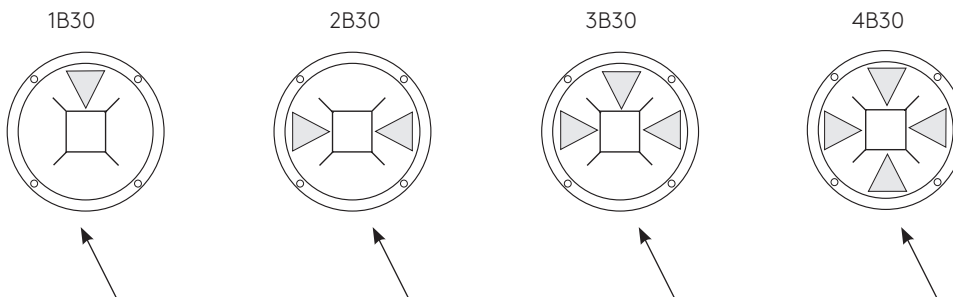


Maximum Candela = 813.747 Located At Horizontal Angle = 0, Vertical Angle = 90
 # 1 - Vertical Plane Through Horizontal Angles (0 - 180) (Through Max. Cd.)



Distance In Units Of Mounting Height
 Values Based On 10 Foot Mounting Height

LED Light Engine Distribution Guide



Handhole Side - For MCCL, fixture head orientation in relation to Handhole is field adjustable. MCCL is NOT field adjustable.