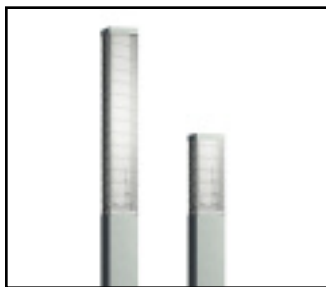


# MTR Square Column

# selux

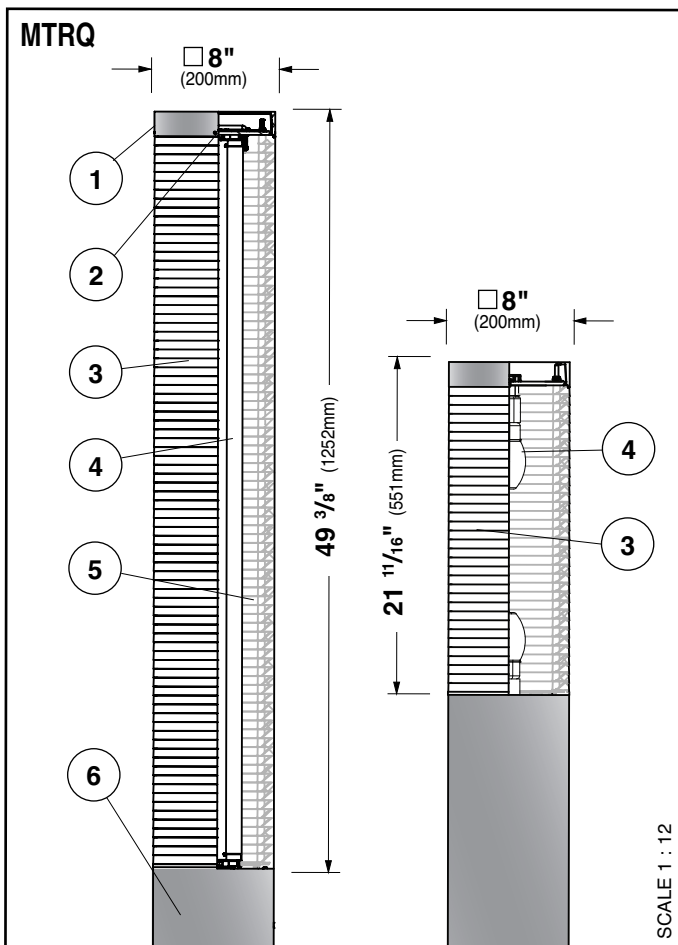


Project: \_\_\_\_\_

Type: \_\_\_\_\_ Qty: \_\_\_\_\_

Series \_\_\_\_\_ Height \_\_\_\_\_ Lamping \_\_\_\_\_ Finish \_\_\_\_\_ Voltage \_\_\_\_\_ Options \_\_\_\_\_

Series	Height	Lamping	Finish	Voltage	Options	
MTRQ MTR Square Column	12 12 ft. 14 14 ft. 16 16 ft.	<u>Metal Halide</u> <b>2H050</b> (2x)50w <b>2H070</b> (2x)70w	<u>Fluorescent</u> <b>1T8</b> (1x)FO32T8 <b>2T8</b> (2x)FO32T8 <b>3T8</b> (3x)FO32T8 <b>4T8</b> (4x)FO32T8	<b>WH</b> White <b>BK</b> Black <b>BZ</b> Bronze <b>SV</b> Silver <b>SP</b> Specify Premium Color	<b>120</b> <b>277</b> <b>347</b>	<b>DS</b> <sup>1</sup> Dual Switching <b>HS</b> <sup>2</sup> House Side Shield <b>REC</b> GFCI Receptacle <b>CWB</b> <sup>1</sup> Cold Weather Ballast <b>EB</b> <sup>2,3</sup> Electronic Ballast <small>Consult factory for other heights and options</small>
<small><sup>1</sup> Fluorescent Only    <sup>2</sup> Metal Halide Only    <sup>3</sup> Not available for 347V</small>						



**1. Fixture Cover** - Die-cast, aluminum cover, with smooth crisp form to reflect and complement the thick-walled, column design. Removes by loosening four vandal-resistant, stainless steel screws for easy access to lamp chamber.

**2. Gasketing** - Continuous gaskets provide weather-proofing, dust, and insect control at base of column, fixture cover, and between MTR rings.

**3. Shielding** - Consists of 7 7/8" (200mm) square injection-molded acrylic multi-prisms for total reflection (MTR). MTR rings have a wall thickness of .591" and are patterned after the light-bending characteristics of a prism.

**4. Lamping** - One, two, three or four FO32T8 (32 watts each) fluorescent lamps on removable gear tray, mounted vertically; or two coated, medium base ED-17 metal halide up to 70w. Lamps provided by others.

**5. Diffusing Cylinder** - Satine acrylic cylinder (fluorescent) or satine glass cylinder (MH) between lamps and MTR rings to diffuse lamp image for maximum performance and visual comfort.

**6. Column** - Extruded low-copper aluminum, 7 7/8" square, including handholes for access to gear tray and mounting plate.

**7. Column Fitter** - Die-cast aluminum fitter, with built-in gasketing ridges, for

smooth transition to column.

**8. Ballast (not shown)**- Electronic ESB, high power factor, class "P," type "A" sound rating. Minimum lamp starting temperature 0° F (-20° C). Cold Weather Ballast option (minimum lamp starting temp -20°F / -29°C) available. Consult factory for more detailed ballast information.

**Exterior Luminaire Finish** - Selux utilizes a high quality Polyester Powder Coating. All Selux luminaires and poles are finished in our Tiger Drylac certified facility and undergo a five stage intensive pretreatment process where product is thoroughly cleaned, phosphated and sealed. Selux powder coated products provide excellent salt and humidity resistance as well as ultra violet resistance for color retention. All products are tested in accordance with test specifications for coatings from ASTM and PCI.

Standard exterior colors are White (WH), Black (BK), Bronze (BZ), and Silver (SV). Selux premium colors (SP) are available, please specify from your Selux color selection guide.

Selux Corp. © 2015  
 TEL (845) 834-1400  
 FAX (845) 834-1401  
 www.selux.us  
 MTRQ-0715-01 (ss-v1.2)

**NRTL Listed (i.e. UL, CSA)**

Union Made Affiliated  
 with **IBEW Local 363**

**IP54**

In a continuing effort to offer the best product possible, we reserve the right to change, without notice, specifications or materials that in our opinion will not alter the function of the product. Specification sheets found at www.selux.us are the most recent versions and supercede all other printed or electronic versions.

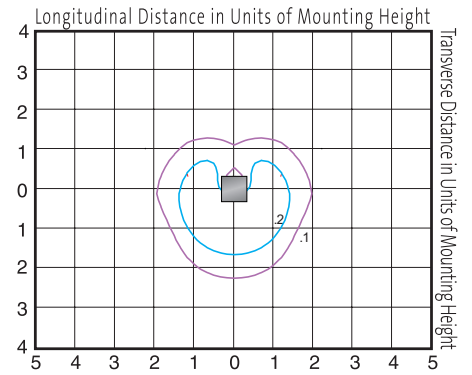
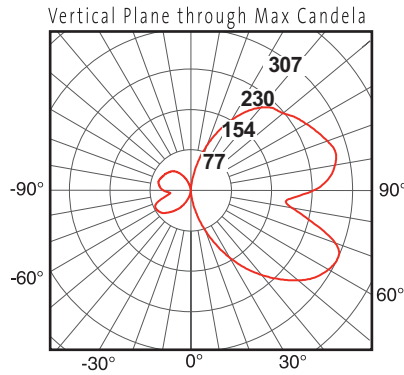
## Photometry

### Square 8" Straight Column (1x)FO32T8 or 32W

**Catalog # MTRQ-14-1T8**  
**Report # 22523**

- Ideal for applications requiring linear distributions.
- Maximum candela of 307 at 65° from vertical.
- IES classification = Type IV
- 1670 Delivered Lumens with 59 Lm/W
- BUG Rating: B0-U4-G1

DOWNLOAD IES FILE:  
[http://www.selux.us/fileadmin/us/exterior/ies\\_file/MTRQ\\_IES.zip](http://www.selux.us/fileadmin/us/exterior/ies_file/MTRQ_IES.zip)

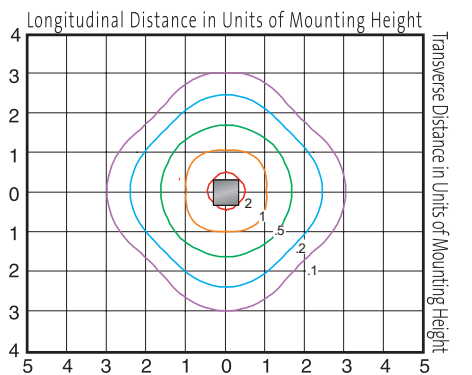
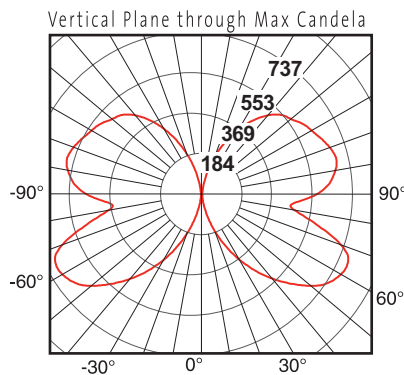


### Square 8" Straight Column (4x)FO32T8 or 128W

**Catalog # MTRQ-14-4T8**  
**Report # 22524**

- Ideal for applications requiring linear distributions.
- Maximum candela of 737 at 63° from vertical.
- IES classification = Type V
- 6309 Delivered Lumens with 55 Lm/W
- BUG Rating: B2-U5-G3

DOWNLOAD IES FILE:  
[http://www.selux.us/fileadmin/us/exterior/ies\\_file/MTRQ\\_IES.zip](http://www.selux.us/fileadmin/us/exterior/ies_file/MTRQ_IES.zip)

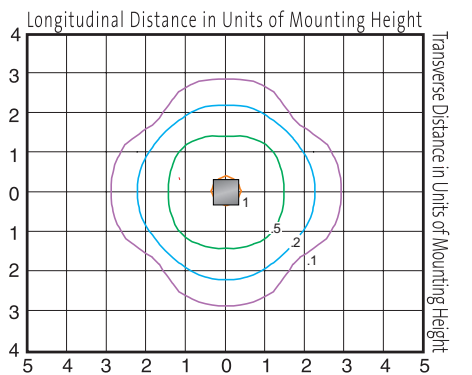
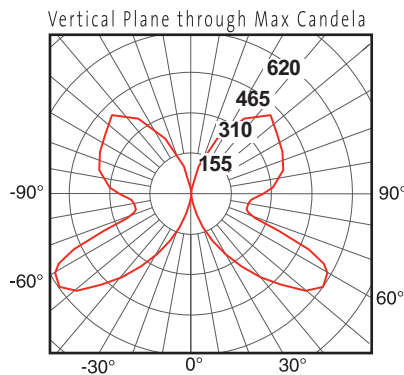


### Square 8" Straight Column (2x)50W /2HO50

**Catalog # MTRQ-14-2HO50**  
**Report # S1207061-R1-1**

- Ideal for applications requiring linear distributions.
- Maximum candela of 620 at 55° from vertical.
- IES classification = Type V
- 4536 Delivered Lumens with 71 Lm/W
- BUG Rating: B1-U5-G2

DOWNLOAD IES FILE:  
[http://www.selux.us/fileadmin/us/exterior/ies\\_file/MTRQ\\_IES.zip](http://www.selux.us/fileadmin/us/exterior/ies_file/MTRQ_IES.zip)



# MTR Square Column

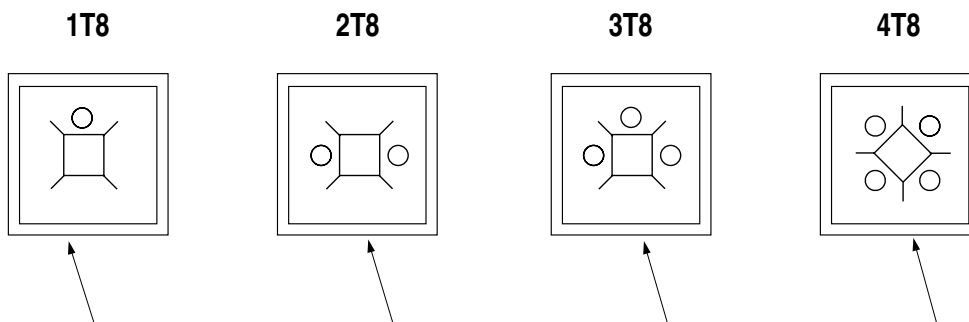


## Photometry

HID Lamp Prorate Table (ED-17 Clear, Medium-Base Lamp)		
Metal Halide		
Wattage	Factor	Initial Lumens
50	1.00	3400
70	1.62	5500

Conversion Chart	
Values based on 14' (4.3m) mounting height.	
Mounting Height	Multiply
12' (3.7m)	1.07
14' (4.3m)	1.00
16' (4.9m)	0.93

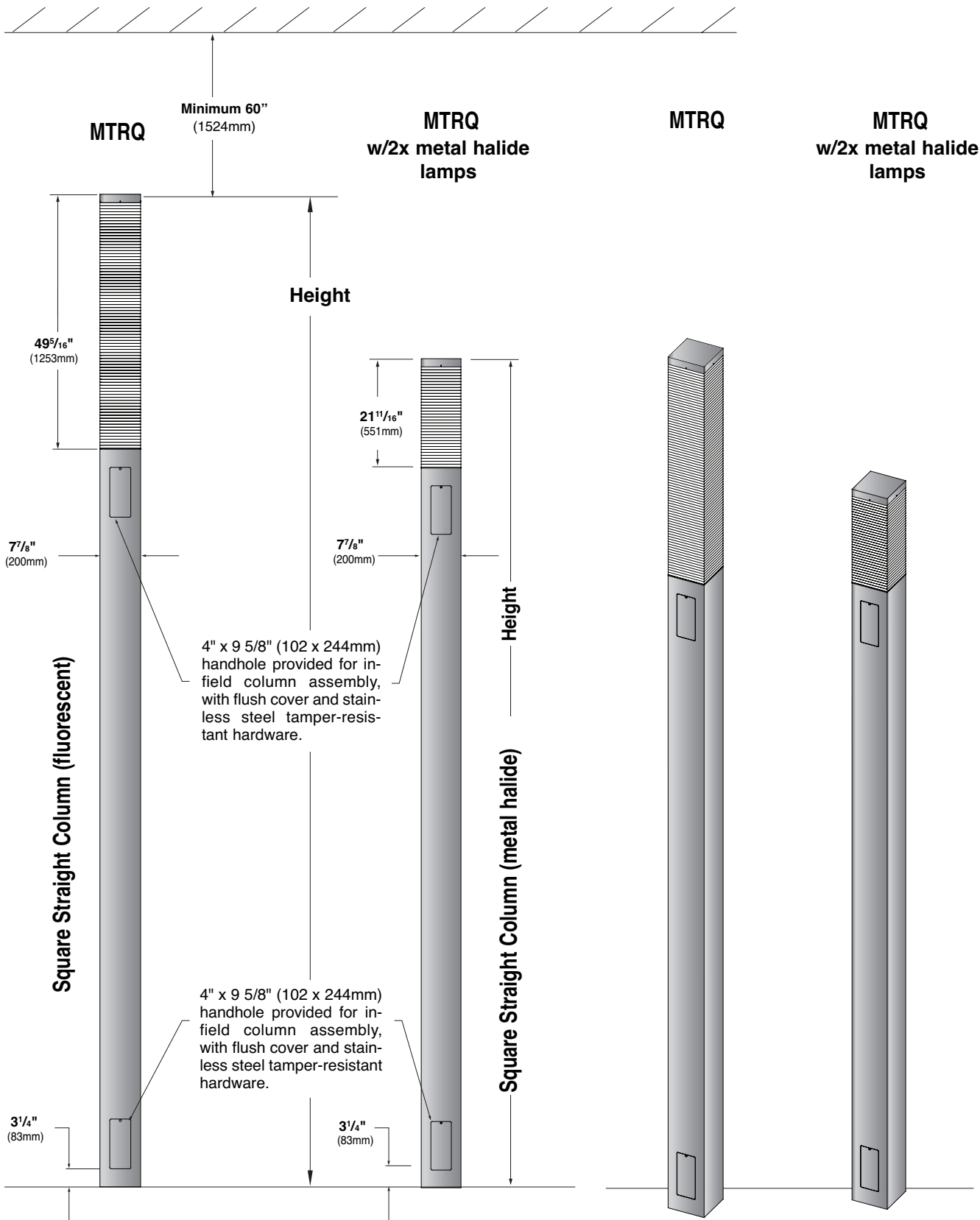
## T8 Lamping Distribution Guide



**Handhole Side** - For MTRQ, fixture head orientation in relation to Handhole is field adjustable.

# MTR Square Column

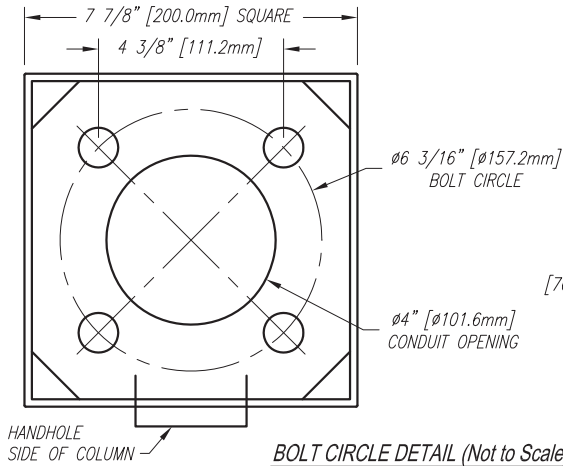
## Mounting Details



# MTR Square Column

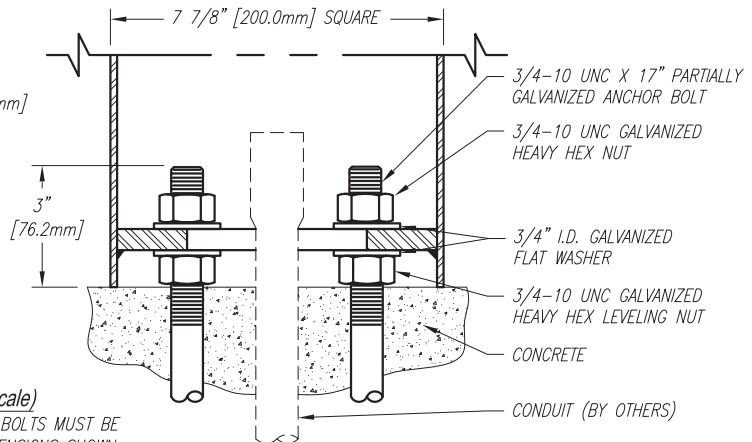
## Mounting Details

MTRQ Bolt Circle



USE CAUTION WHEN SETTING ANCHOR BOLTS. BOLTS MUST BE VERTICALLY STRAIGHT AND CENTERED ON DIMENSIONS SHOWN.

MTRQ Anchor Bolt Detail



## Option Details

**GFCI Receptacle (REC)** - GFCI duplex receptacle with cast base welded to pole and gasketed, provided with weather-proof, self-closing cover; located 36" (915mm) from base of pole, inline with handhole. Receptacle is intended only for portable tools or other portable equipment to be connected to outlet only when attended by operating personnel. Please specify voltage if different from luminaire voltage. For use with 120V applications only. For other fixture voltages, please consult factory for wire segregation requirements.

**Dual Switching (DS)** - Lamps are divided into two (2) circuits with individual ballast, two (2) separate power feeds within the fixture. Internal gear tray length/minimum ceiling clearance above fixtures might change.

**House Side Shield (HS)** - (for MH only) Metal shielding inside of glass cylinder. Orientation can be adjusted in the field.

