

MTR Column

selux



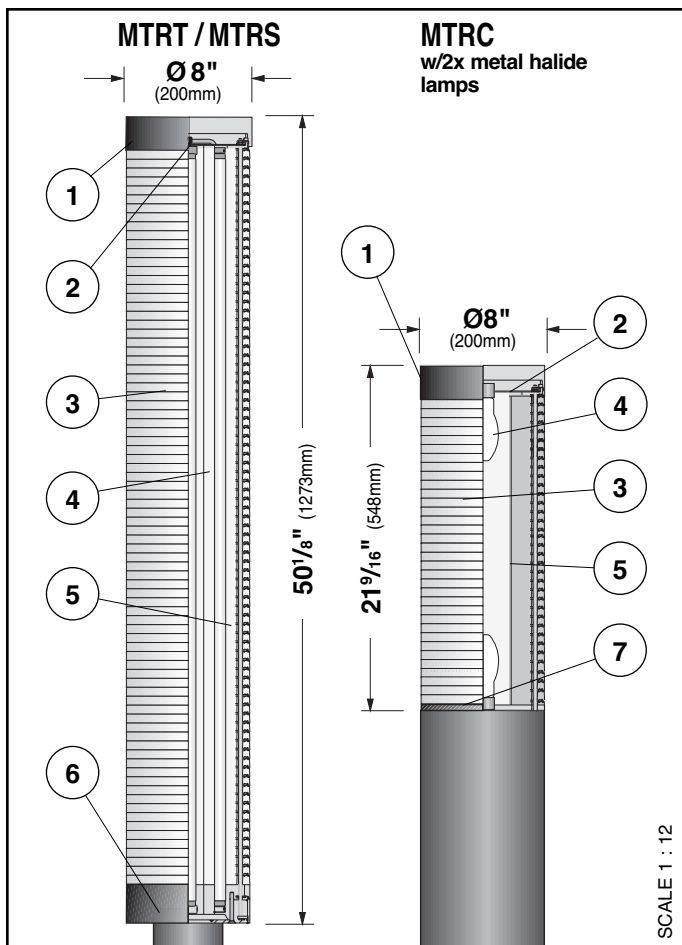
Project: _____

Type: _____ **Qty:** _____

Series Height Lamping Finish Voltage Options

| Series | Height | Lamping | Finish | Voltage | Options |
|--------|-----------|----------------------------|--------------------|---------------------------------|---|
| MTRT | 12 12 ft. | Metal Halide | | WH White | DS ² Dual Switching |
| | 14 14 ft. | 2H050 ¹ (2x)50w | Fluorescent | BK Black | HS ³ House Side Shield |
| MTRS | 16 16 ft. | 2H070 ¹ (2x)70w | 1T8 (1x)FO32T8 | BZ Bronze | REC GFCI Receptacle |
| | | | 2T8 (2x)FO32T8 | SV Silver | CWB ² Cold Weather Ballast |
| MTRC | | | 3T8 (3x)FO32T8 | SP Specify Premium Color | EB ^{3,4} Electronic Ballast |
| | | | 4T8 (4x)FO32T8 | | Consult factory for other heights and options |

¹ Only available with MTRC (Round 8" Straight Pole) ² Fluorescent Only ³ For metal halide only ⁴ Not available for 347V



1. Fixture Cover - Die-cast, aluminum cover, with smooth crisp form to reflect and complement the column design. Thick-walled, aluminum cover is painted white on the interior for maximum luminaire efficiency. Removes by loosening three vandal-resistant, stainless steel screws for easy access to lamp chamber.

2. Gasketing - Continuous gaskets provide weather-proofing, dust, and insect control at base of column, fixture cover, and between MTR rings.

3. Shielding - Consists of 8" (200mm) diameter injection-molded acrylic multi-prisms for total reflection (MTR). MTR rings have a wall thickness of .591" and are patterned after the light-bending characteristics of a prism.

4. Lamping - One, two, three or four FO32T8 (32 watts each) fluorescent lamps on removable gear tray, mounted vertically; or two coated, medium base ED-17 metal halide up to 70w. Lamps provided by others.

5. Diffusing Cylinder - Satine acrylic cylinder (fluorescent) or satine glass cylinder (MH) between lamps and MTR rings to diffuse lamp image for maximum performance and visual comfort.

6. Pole Fitter - Self-leveling, die-cast aluminum, fitter base secured to pole with two, stainless steel, Allen head set screws. 31/2" (90mm) O.D. poles.

7. Column Fitter - Die-cast aluminum fitter, with built-in gasketing ridges, for smooth transition to column.

8. Ballast - (not shown) Electronic ESB, high power factor, class "P," type "A" sound rating. Minimum lamp starting temperature 0° F (-20° C). Cold Weather Ballast option (minimum lamp starting temp -20°F/-29°C) available. Consult factory for more detailed ballast information.

9. Base Cover - (not shown - MTRT/MTRS only) Standard two-piece base cover is made from die-cast 356 alloy aluminum which is heat treated to produce a T6 temper, measuring 41/2" (115mm) height by 121/2" (316mm) diameter.

Exterior Luminaire Finish - Selux utilizes a high quality Polyester Powder Coating. All Selux luminaires and poles are finished in our Tiger Drylac certified facility and undergo a five stage intensive pretreatment process where product is thoroughly cleaned, phosphated and sealed. Selux powder coated products provide excellent salt and humidity resistance as well as ultra violet resistance for color retention. All products are tested in accordance with test specifications for coatings from ASTM and PCI.

Standard exterior colors are White (WH), Black (BK), Bronze (BZ), and Silver (SV). Selux premium colors (SP) are available, please specify from your Selux color selection guide. Hot Dip Galvanized finish (GV) on all steel parts also available.

Selux Corp. © 2015
 TEL (845) 834-1400
 FAX (845) 834-1401
 www.selux.us
 MTRC-0715-01 (ss-v3.0)

NRTL Listed (i.e. UL, CSA)
 Union Made Affiliated
 with **IBEW Local 363**

In a continuing effort to offer the best product possible, we reserve the right to change, without notice, specifications or materials that in our opinion will not alter the function of the product. Specification sheets found at www.selux.us are the most recent versions and supercede all other printed or electronic versions.

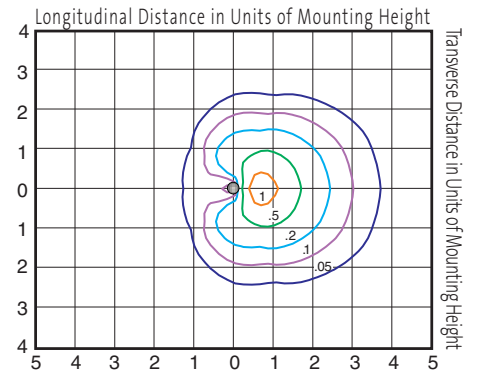
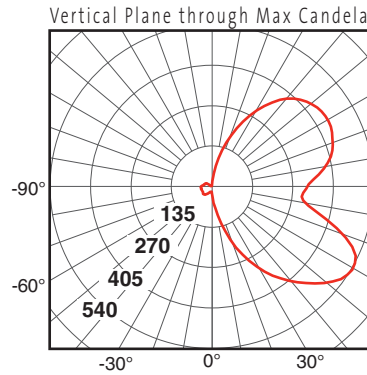
Photometry

Round Tapered Pole / (1x)FO32T8

Catalog # MTRC-12-1T8
Report # SX-17021

- Round 8" Straight Pole
- Ideal for applications demanding max. spacing.
- Maximum candela of 540 at 60° from vertical.
- IES classification - Type IV Non-Cutoff.

DOWNLOAD IES FILE:
http://www.selux.us/fileadmin/us/exterior/ies_file/MTRC-IES.zip

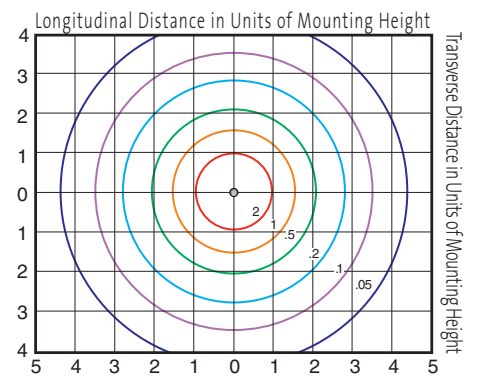
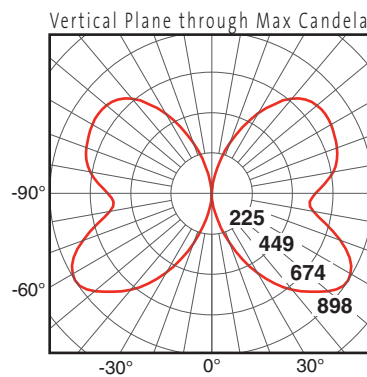


Round Tapered Pole / (4x)FO32T8

Catalog # MTRC-12-4T8
Report # SX-17020

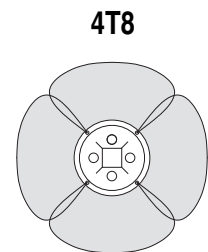
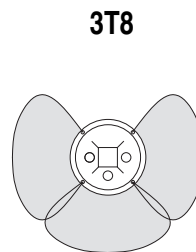
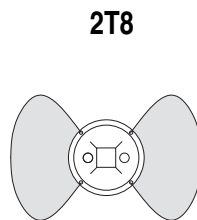
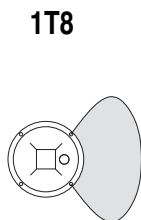
- Round 8" Straight Pole
- Ideal for applications demanding max. spacing.
- Maximum candela of 898 at 58° from vertical.
- IES classification - Type V Non-Cutoff.

DOWNLOAD IES FILE:
http://www.selux.us/fileadmin/us/exterior/ies_file/MTRC-IES.zip



| Conversion Chart | | |
|---|--|----------|
| Values based on 14' (4.3m) mounting height. | | |
| Mounting Height | | Multiply |
| 12' (3.7m) | | 1.00 |
| 14' (4.3m) | | 0.93 |
| 16' (4.9m) | | 0.87 |

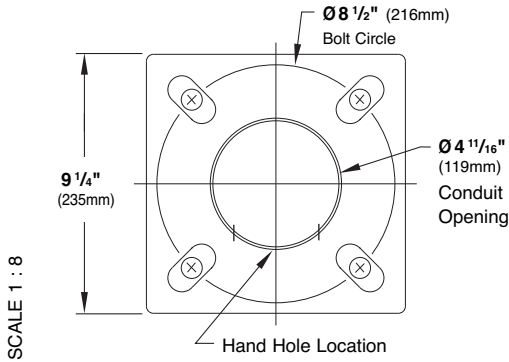
T8 Lamping Distribution Guide



Mounting Details

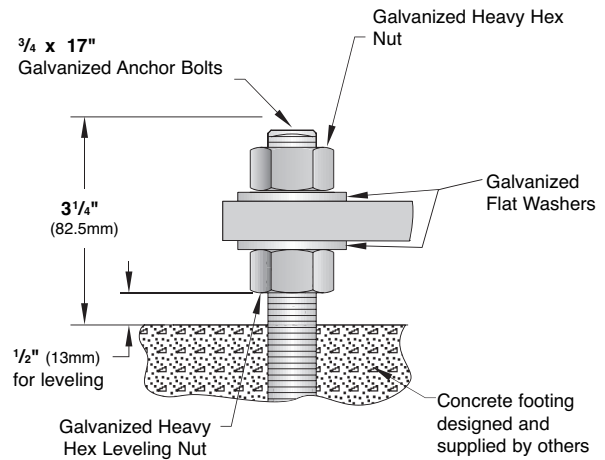
MTRT/MTRS Bolt Circle

Use caution when setting anchor bolts. Bolts must be vertically straight and centered on dimensions shown.



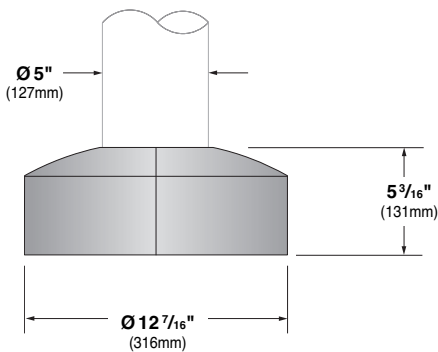
Note: Adequate drainage must be provided in concrete foundation or grout.

MTRT/MTRS Anchor Bolt Detail

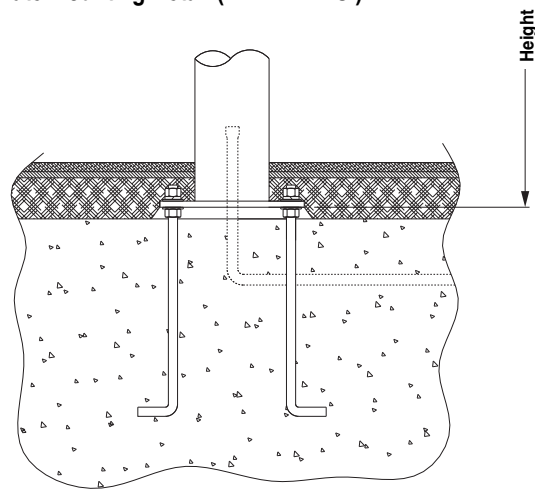


BC3 Standard Base Cover (MTRT/MTRS)

Die-cast aluminum, two-piece field installable base cover.

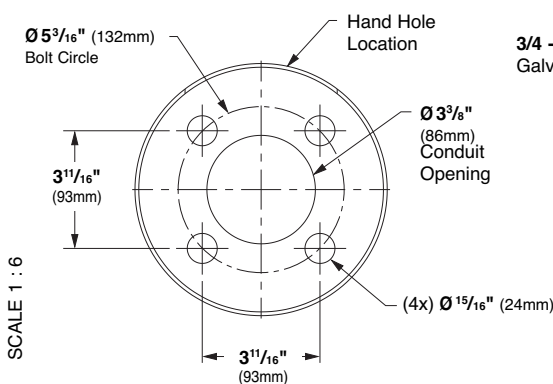


Alternate Mounting Detail (MTRT/MTRS)



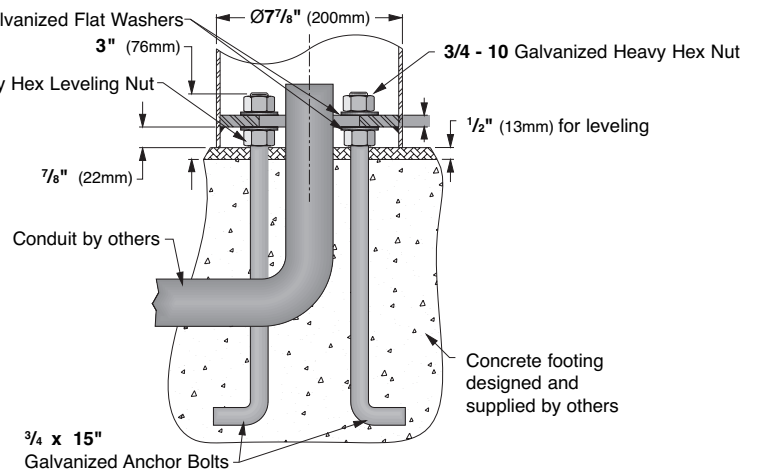
MTRC Bolt Circle

Use caution when setting anchor bolts. Bolts must be vertically straight and centered on dimensions shown.



Note: Adequate drainage must be provided in concrete foundation or grout.

MTRC Anchor Bolt Detail



Mounting Option Details

GFCI Receptacle (REC) - GFCI duplex receptacle with cast base welded to pole and gasketed, provided with weather-proof, self-closing cover; located 36" (915mm) from base of pole, inline with handhole. Receptacle is intended only for portable tools or other portable equipment to be connected to outlet only when attended by operating personnel. Please specify voltage if different from luminaire voltage.

Dual Switching (DS) - Lamps are divided into two (2) circuits with individual ballast, two (2) separate power feeds within the fixture. Internal gear tray length/minimum ceiling clearance above fixtures might change.

House Side Shield (HS) - (for MH only) Metal shielding inside of glass cylinder. Orientation can be adjusted in the field.

