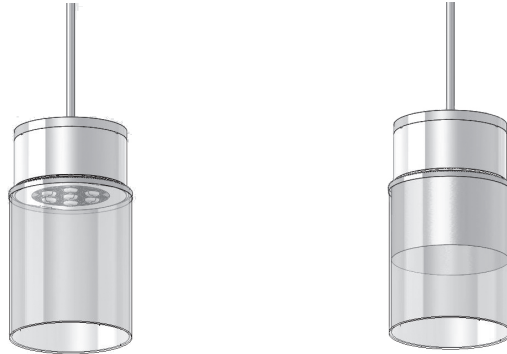


Date: _____ Customer: _____
 Project: _____
 Type: _____ Qty: _____



Lanova LED Pendant



Order Code:

_____	LALP	Series	LALP Lanova LED Pendant					DB Diffuse Bowl	* Interior applications only
_____		Optics	R1 Type I Distribution	R2 Type II Distribution	R3 Type III Distribution	R4 Type IV Distribution	R5S Type V Square	R5R Type V Round	
_____		Cylinder	CL Clear long	FL¹ ½ Frosted Long					¹ DB optics only
_____		Stem Length	PXX² Swivel/Stem/Pendant					² See page 3 for stem lengths	
_____		Light Engine	5G150³ 1556lm, 15W	5G250³ 2477lm, 24W	5G350 3468lm, 33W	5G450 4459lm, 42W	³ Not Available with DM, HL30, or HL50 ⁴ Based on R2 distribution and 3000K CCT		
_____		CCT	30 3000K	40 4000K	For other CCT please consult factory				
_____		Finish	WH White	BK Black	BZ Bronze	SV Silver	SP Specify Premium Color		
_____		Voltage	120	208	240	277	347^{4,5}	480^{4,5}	⁴ Not available with HL30 or HL50 ⁵ Requires stepdown transformer, 60 Hz only
_____		Options	DM Dimming (0-10V)	HL30^{6,7} Hi-Lo Switching 30-100%	HL50^{6,7} Hi-Lo Switching 50-100%	MC Mid-Run Connector	HS* House Side Shield	⁶ 120, 240, and 277V Only ⁷ Not available with DM option * Not available with R5S, R5R, or DB optics	

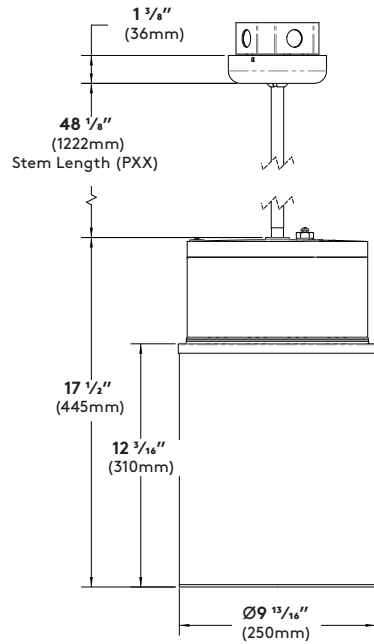
Product Modifications

Please list modification requirements for review by factory:

Approvals



Date: _____



Stem Table	
Order Code (PXX)	Stem Length
P04	4" [1/3']
P06	6" [1/2']
P12	12" [1']
P18	18" [1-1/2"]
P24	24" [2']
P30	30" [2-1/2"]
P36	36" [3']
P42	42" [3-1/2']
P48	48" [4']
P60	60" [5']
P72	72" [6']
P84	84" [7']
P96	96" [8']
P108	108" [9']
P120	120" [10']
P144	144" [12']
P168	168" [14']

Net Weight (19.5 lbs)

Specifications

Luminaire Housing/Hanger

Die-cast aluminum housing made from low copper marine grade aluminum. Hanger bracket made from stainless steel with stainless steel hardware. Hanger Bracket provides 360° rotation and 15° tilt in either direction.

Gasketing

(not shown) Continuous UV resistant silicone gasket provides weatherproofing, dust and insect control at all fixture connections.

LED Array

(not shown) High Flux LEDs mounted to metal core PCB and attached to aluminum heat sink for maximum LED performance and life. CCT tolerance within a 3 step bin and provided with a minimum CRI of 80. LED light engine has a reported lumen maintenance of 93% at 50,000 hours. L70 calculated greater than 100,000 hours.

LED Optics

Clear or half frosted UV stabilized acrylic outer cylinder creates the optical chamber. Technical Optics (R1, R2, R3, R4, R5S and R5R) use Selux signature light pattern acrylic lens holder to secure proprietary silicone optics. Diffuser Bowl (DB) option made of highly diffuse UV stabilized acrylic hides LED source and provides a pleasant/soft light quality.

LED Driver

LEDs are driven by RoHS compliant constant current programmable LED driver. Driver includes 0-10V dimming to 10%, meets the requirements of IP66 and includes a 5 Year warranty.

Surge Protector

(not shown) Independent surge protector device designed to protect luminaire from electrical surge up to 20kA.

Power Cord

(not shown) UV resistant black SJ power cord pre-installed at factory. Please specify power cord length available in 1' increments from 5' – 30'.

Standard exterior colors are White (WH), Black (BK), Bronze (BZ), and Silver (SV). Selux premium colors (SP) are available, please specify from your Selux color selection guide.

5 Year Limited LED Luminaire Warranty -

Selux offers a 5 Year Limited Warranty to the original purchaser that the Lanova LED luminaire shall be free from defects in material and workmanship for up to five (5) years from date of shipment. This limited warranty covers the LED driver and LED array when installed and operated according to Selux instructions. For details, see "Selux Terms and Condition of Sale."

Listings and Ratings: Luminaire tested to IP65 and LM-79 standards. LEDs tested to LM-80 standards.

Luminaire suitable for ambient temperatures from 40°C (104°F) maximum to -40°C (-40°F) minimum.

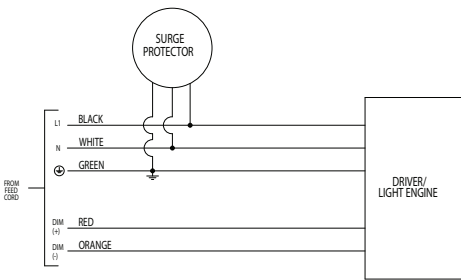
NRTL Listed (i.e. UL, CSA)

Visit selux.us for our LED End of Life recycling policy.

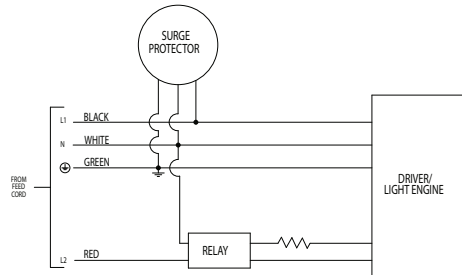
ELECTRICAL SPECIFICATIONS									
CCT	3000K/4000K								
CYLINDER	CL Cylinder Standard					FL Cylinder Standard			
OPTICS	R1, R2, R3, and R4			R5R and R5S			DB		
Light Engine/ Electrical Specs	Delivered Lumens (lm)	Wattage (W) 120-277 / 347-480	Efficacy (lm/W)	Delivered Lumens (lm)	Wattage (W) 120-277 / 347-480	Efficacy (lm/W)	Delivered Lumens (lm)	Wattage (W) 120-277 / 347-480	Efficacy (lm/W)
5G150	1316	14.2 / 18	92.9	1488	14.2 / 18	105.0	1327	14.2 / 18	93.5
5G250	2193	23.6 / 27	92.9	2480	23.6 / 27	105.0	2211	23.6 / 27	93.5
5G350	3070	33.1 / 35	92.9	3471	33.1 / 35	105.0	3096	33.1 / 35	93.5
5G450	3948	42.5 / 44	92.9	4463	42.5 / 44	105.0	3981	42.5 / 44	93.5

Wiring

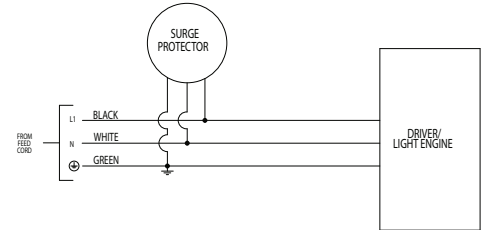
0-10V Dimming Option (DM) Wiring for 120-277V
100% light output at 10V, down to 1% light output at 0V.



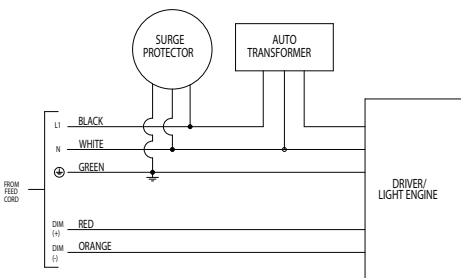
Hi-Lo Switching Option (HL30/HL50) Wiring
120/240/277V. When red is energized, light output will be at "Lo" level.



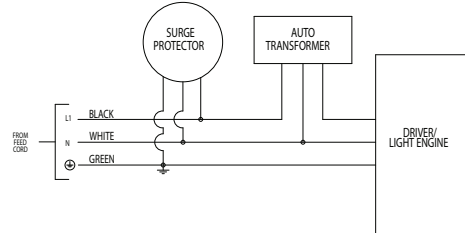
Standard Wiring for 120-277V
Standard wiring for 120-277V with no additional options.



0-10V Dimming Option (DM) Wiring for 347/480V
100% light output at 10V, down to 1% light output at 0V.



Standard Wiring for 347/480V
Standard wiring for 347/480V with no additional options.



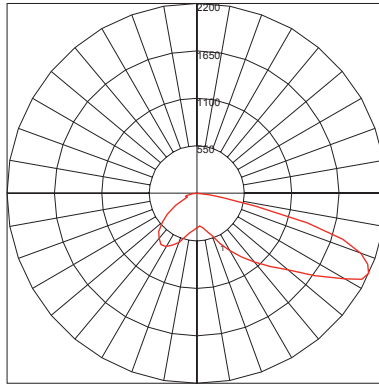
Photometry

R1 / 42.5W LED / 3000K CCT

Catalog #: LALC-R1-CL-X-5G450-30-XX-120
 Maximum candela of 2200 at 65° from vertical.
 Mounting Height = 16' (4.87m)
 3948 Delivered Lumens
 93 Lumens per Watt
 B1-U1-G1

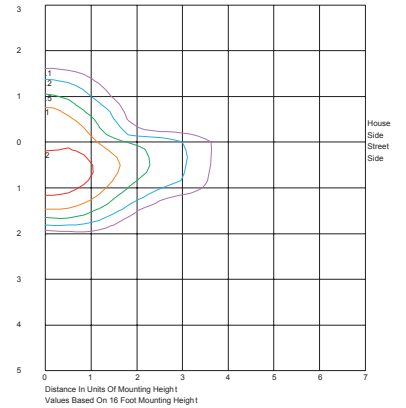
DOWNLOAD IES FILES:

<http://www.selux.us/fileadmin/us/photometry/Exterior/Lanova.zip>



Maximum Candela = 2199.966 Located At Horizontal Angle = 75, Vertical Angle = 65
 # 1 - Vertical Plane Through Horizontal Angles (75 - 255) (Through Max. Cd.)

ISOFOOTCANDLE LINES OF HORIZONTAL ILLUMINANCE

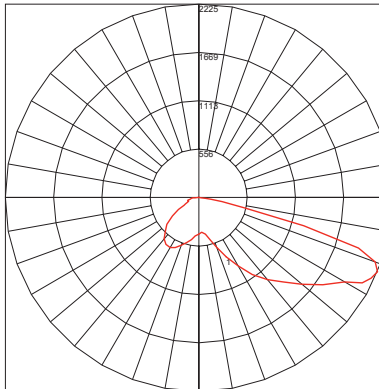


R2 / 42.5W LED / 3000K CCT

Catalog #: LALC-R2-CL-X-5G450-30-XX-120
 Maximum candela of 2225 at 67.5° from vertical.
 Mounting Height = 16' (4.87m)
 3948 Delivered Lumens
 93 Lumens per Watt
 B1-U1-G1

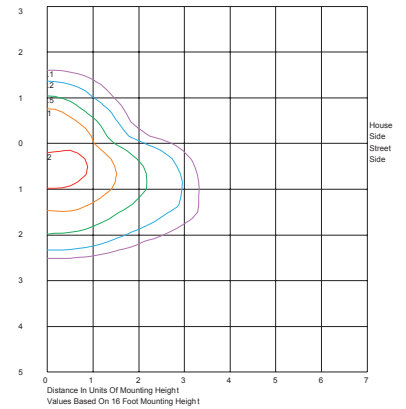
DOWNLOAD IES FILES:

<http://www.selux.us/fileadmin/us/photometry/Exterior/Lanova.zip>



Maximum Candela = 2225.177 Located At Horizontal Angle = 65, Vertical Angle = 67.5
 # 1 - Vertical Plane Through Horizontal Angles (65 - 245) (Through Max. Cd.)

ISOFOOTCANDLE LINES OF HORIZONTAL ILLUMINANCE

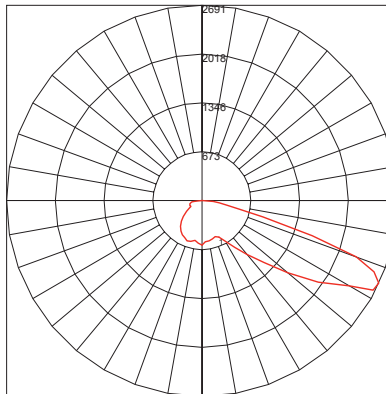


R3 / 42.5W LED / 3000K CCT

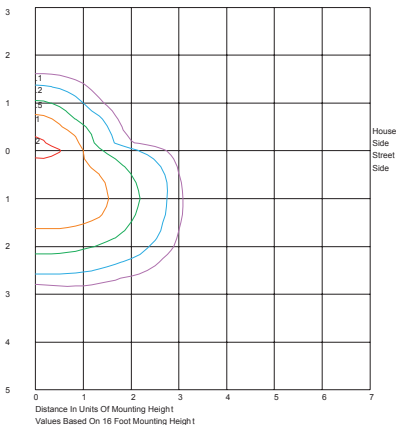
Catalog #: LALC-R3-CL-X-5G450-30-XX-120
 Maximum candela of 2691 at 65° from vertical.
 Mounting Height = 16' (4.87m)
 3948 Delivered Lumens
 93 Lumens per Watt
 B1-U1-G1

DOWNLOAD IES FILES:

<http://www.selux.us/fileadmin/us/photometry/Exterior/Lanova.zip>



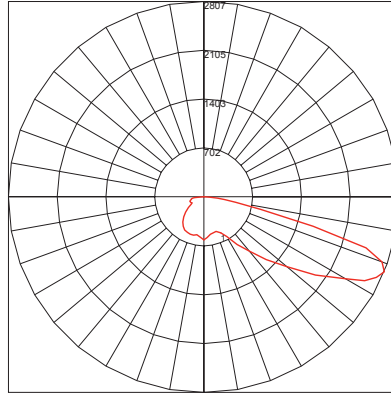
Maximum Candela = 2691.332 Located At Horizontal Angle = 45, Vertical Angle = 65
 # 1 - Vertical Plane Through Horizontal Angles (45 - 225) (Through Max. Cd.)



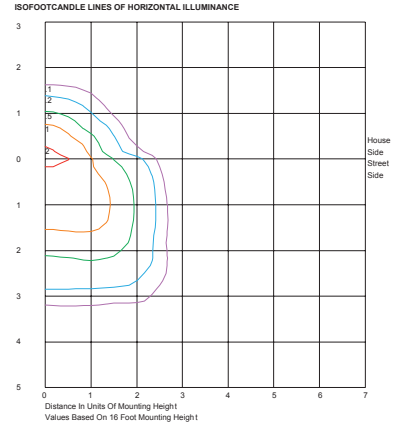
Photometry

R4 / 42.5W LED / 3000K CCT

Catalog #: LALC-R4-CL-X-5G450-30-XX-120
 Maximum candela of 2807 at 67.5° from vertical.
 Mounting Height = 16' (4.87m)
 3948 Delivered Lumens
 93 Lumens per Watt
 B1-U1-G1



Maximum Candela = 2806.707 Located At Horizontal Angle = 35, Vertical Angle = 67.5
 # 1 - Vertical Plane Through Horizontal Angles (35 - 215) (Through Max. Cd.)

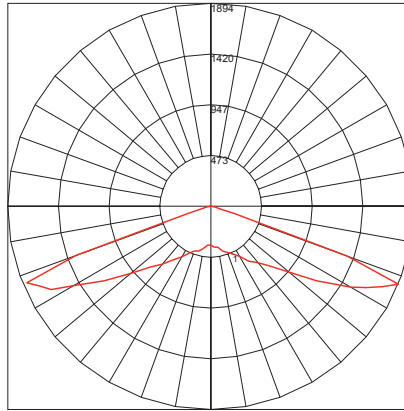


DOWNLOAD IES FILES:

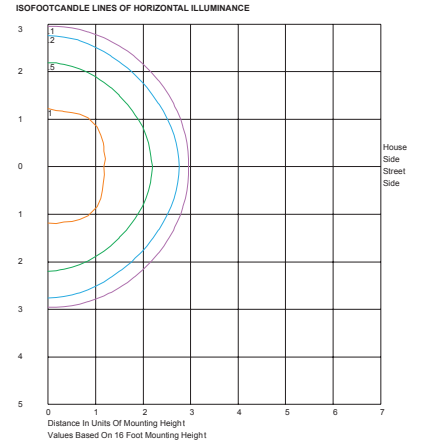
<http://www.selux.us/fileadmin/us/photometry/Exterior/Lanova.zip>

R5R/ 42.5W LED / 3000K CCT

Catalog #: LALC-R4R-CL-X-5G450-30-XX-120
 Maximum candela of 1894 at 67.5° from vertical.
 Mounting Height = 16' (4.87m)
 4463 Delivered Lumens
 105 Lumens per Watt
 B2-U1-G1



Maximum Candela = 1893.897 Located At Horizontal Angle = 0, Vertical Angle = 67.5
 # 1 - Vertical Plane Through Horizontal Angles (0 - 180) (Through Max. Cd.)

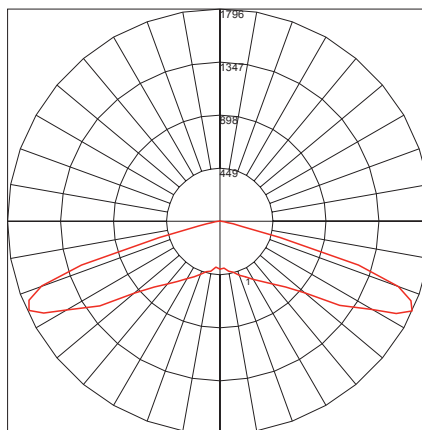


DOWNLOAD IES FILES:

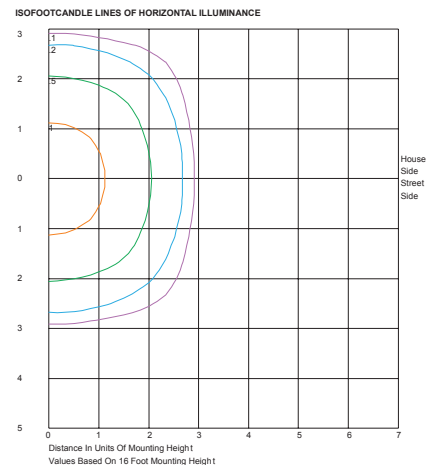
<http://www.selux.us/fileadmin/us/photometry/Exterior/Lanova.zip>

R5S/ 42.5W LED / 3000K CCT

Catalog #: LALC-R4S-CL-X-5G450-30-XX-120
 Maximum candela of 1796 at 65° from vertical.
 Mounting Height = 16' (4.87m)
 4463 Delivered Lumens
 105 Lumens per Watt
 B2-U1-G1



Maximum Candela = 1795.909 Located At Horizontal Angle = 45, Vertical Angle = 65
 # 1 - Vertical Plane Through Horizontal Angles (45 - 225) (Through Max. Cd.)



DOWNLOAD IES FILES:

<http://www.selux.us/fileadmin/us/photometry/Exterior/Lanova.zip>

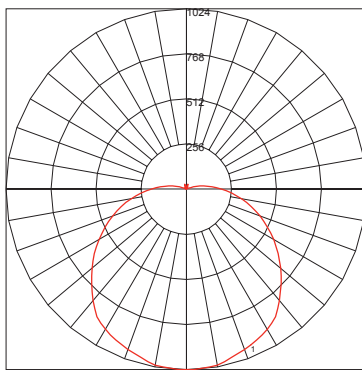
Photometry

DB / 42.5W LED / 3000K CCT

Catalog #: LALC-DB-FL-X-5G450-30-XX-120
 Maximum candela of 1024 at 2.5° from vertical.
 Mounting Height = 16' (4.87m)
 3981 Delivered Lumens
 94w Lumens per Watt
 B1-U3-G2

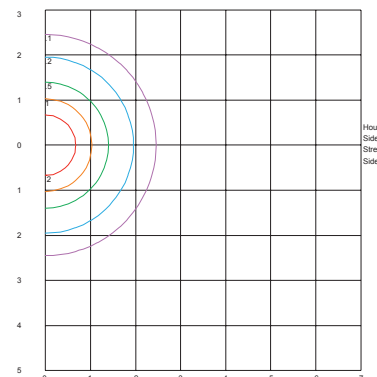
DOWNLOAD IES FILES:

<http://www.selux.us/fileadmin/us/photometry/Exterior/Lanova.zip>



Maximum Candela = 1023.981 Located At Horizontal Angle = 0, Vertical Angle = 2.5
 # 1 - Vertical Plane Through Horizontal Angles (0 - 180) (Through Max. Cd.)

ISOFOOTCANDLE LINES OF HORIZONTAL ILLUMINANCE



Distance In Units Of Mounting Height
 Values Based On 16 Foot Mounting Height