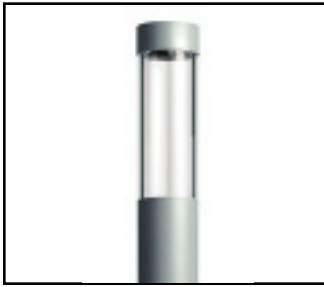


Exelia Column

selux



Project: _____

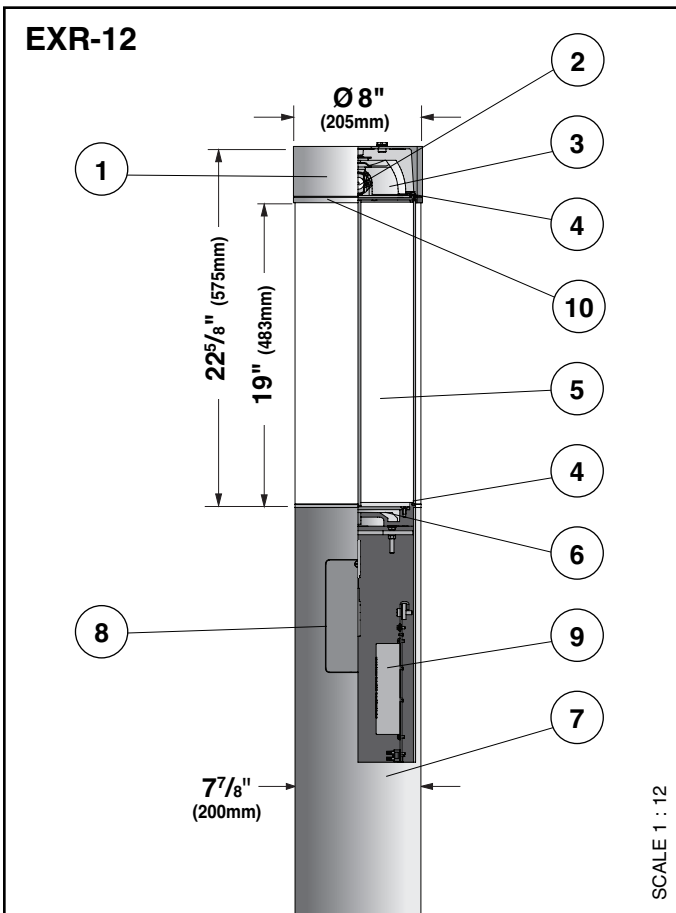
Type: _____ **Qty:** _____

EXR - _____ - **PC** - _____ - _____ - _____ - _____ - _____ - _____

Series Height Reflector Shielding Lamping Lamp Color Finish Voltage

Options

Series	Height	Reflector	Shielding	Lamping	Lamp Color	Finish	Voltage	Options
EXR Exelia Column	10 10 ft.	R2 Type II	PC Polycarbonate	<u>Metal Halide</u>		WH White	120	REC GFCI Receptacle
	12 12 ft.	Aluminum Reflector		H039T6 39w T6	830 3000°K	BK Black		
	14 14 ft.	R5 Type V Aluminum Reflector		H070T6 70w T6	842 4200°K (39W only)	BZ Bronze		
	16 16 ft.			H150T6 150w T6	942 4200°K (70/150W only)	SV Silver		
				NOL Lamp not included	SP Specify Premium Color	347 ¹	EB Electronic Ballast	
¹ Not available 39W MH and EB option.								



1. Luminaire Cover - Cast marine-grade aluminum cover, with smooth crisp form to reflect and complement the column design. Removes tool-less for access to lamp chamber.

2. Lamp - Choose between 39 to 150 Watt T6 G12 base ceramic metal halide lamps. Horizontal lamp for R2 reflector and R5 reflector. Lamps provided by others.

3. Reflector - Precision hydro formed, 99.8% pure aluminum reflector system with Type II or Type V IDA-certified "dark sky friendly" full-cutoff distributions.

4. Gasketing - Continuous silicone gaskets provide weather-proofing, dust, and insect control at fixture cover and between shielding.

5. Shielding - Clear, impact resistant, UV stabilized polycarbonate, minimum wall thickness 0.118" (3mm).

6. Column Base - Cast marine-grade aluminum fitter, with built-in gasketing ridges, for smooth transition to column.

7. Column - Extruded smooth marine-grade aluminum, minimum wall thickness 0.118" (3mm).

8. Access Door - 4" x 7" (76 x 178mm) handhole provided for in-field column assembly, with flush cover and stainless steel tamper-resistant hardware.

9. Ballast - A high efficiency, pulse start, core and coil ballast factory wired to socket. Optional Electronic ESB, high power factor, class "P," type "A" sound rating ballast available for MH lamps. Consult factory for more detailed ballast information.

10. Top Fitter - Die-cast marine-grade aluminum fitter.

Exterior Luminaire Finish - Selux utilizes a high quality Polyester Powder Coating. All Selux luminaires and poles are finished in our Tiger Drylac certified facility and undergo a five stage intensive pretreatment process where product is thoroughly cleaned, phosphated and sealed. Selux powder coated products provide excellent salt and humidity resistance as well as ultra violet resistance for color retention. All products are tested in accordance with test specifications for coatings from ASTM and PCI.

Standard exterior colors are White (WH), Black (BK), Bronze (BZ), and Silver (SV). Selux premium colors (SP) are available, please specify from your Selux color selection guide.

Selux Corp. © 2015
 TEL (845) 834-1400
 FAX (845) 834-1401
 www.selux.us
 EXR-0715-01 (ss-V1.2)

NRTL Listed (i.e. UL, CSA)
 Union Made Affiliated
 with **IBEW Local 363**



In a continuing effort to offer the best product possible, we reserve the right to change, without notice, specifications or materials that in our opinion will not alter the function of the product. Specification sheets found at www.selux.us are the most recent versions and supercede all other printed or electronic versions.

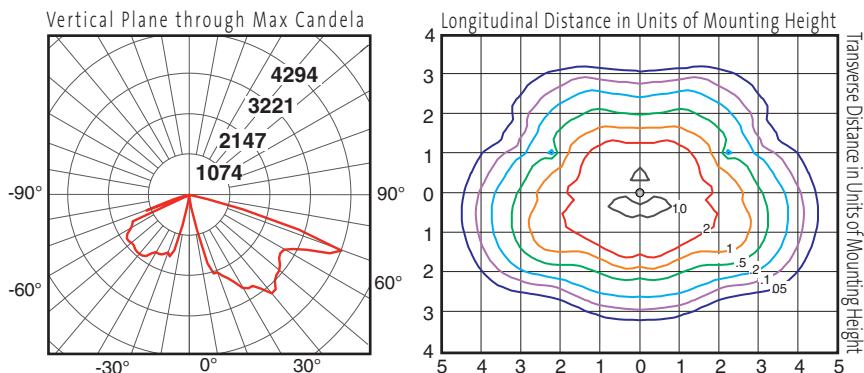
Photometry

Round Straight Pole / 150W T6

Catalog # EXR-R2-H150T6
Report # SX-7970

- Round 12' Straight Pole
- Ideal for applications demanding max. spacing.
- Maximum candela of 4294 at 70° from vertical.
- IES classification - Type II Full Cutoff.

DOWNLOAD IES FILE:
http://www.selux.us/fileadmin/us/exterior/ies_file/EXR_IES.zip

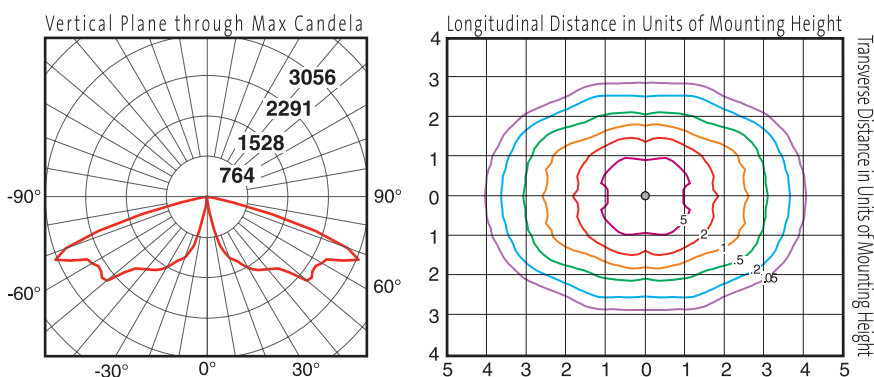


Round Straight Pole / 150W T6

Catalog # EXR-R5-H150T6
Report # SX-7971

- Round 12' Straight Pole
- Ideal for applications demanding max. spacing.
- Maximum candela of 3056 at 67.5° from vertical.
- IES classification - Type V Full Cutoff.

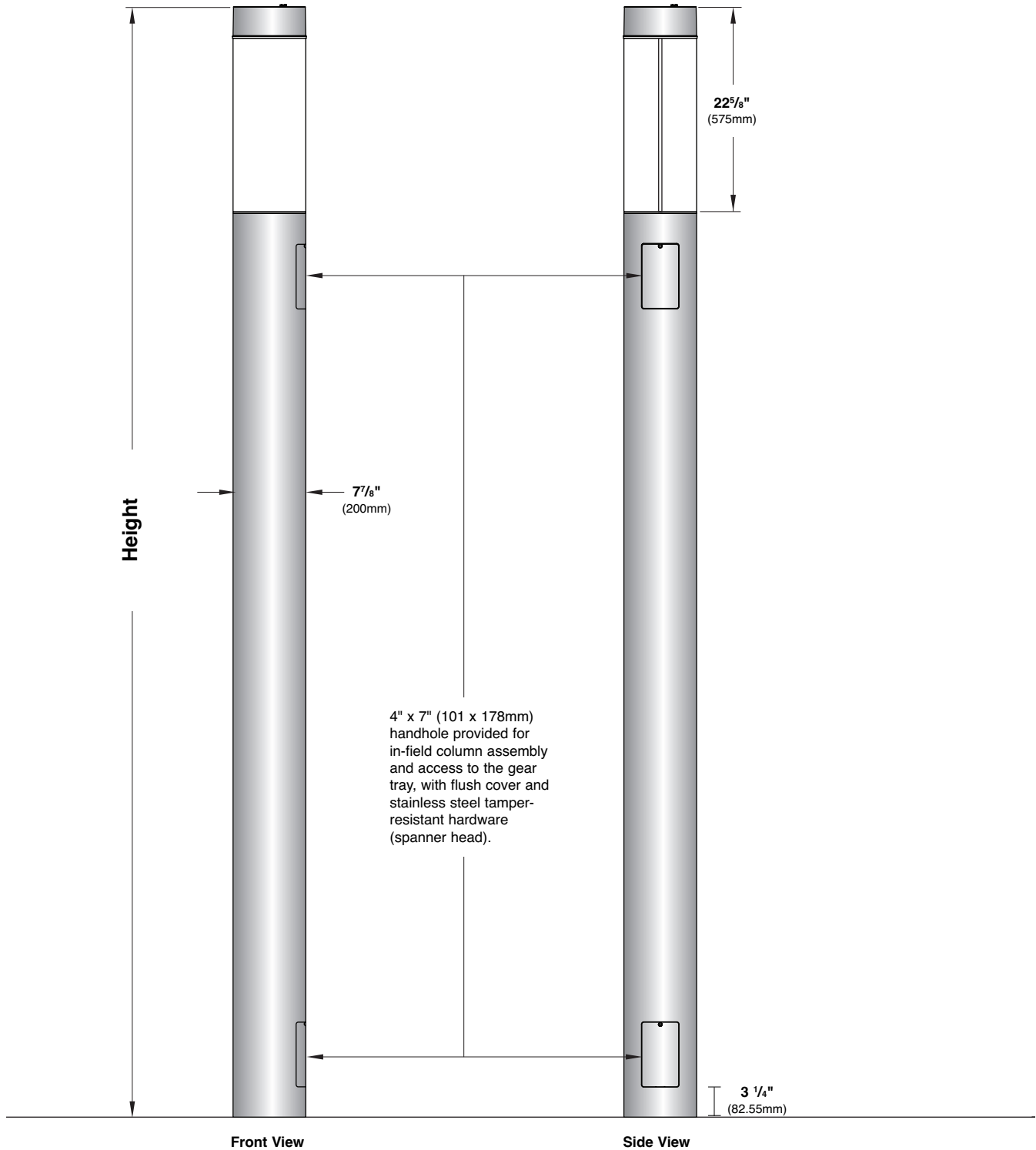
DOWNLOAD IES FILE:
http://www.selux.us/fileadmin/us/exterior/ies_file/EXR_IES.zip



H.I.D. Lamp Prorate Table (Clear, G12 base)		
T6 Metal Halide		
Wattage	Factor	Initial Lumens
39	0.24	3300
70	0.47	6600
150	1.00	14000

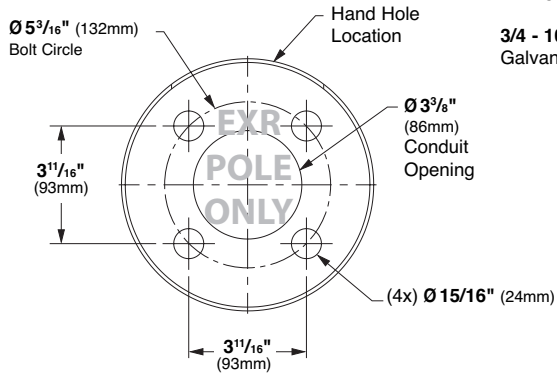
Conversion Chart	
Values based on 12' (3.7m) mounting height.	
Mounting Height	Multiply
10' (3.1m)	1.10
12' (3.7m)	1.00
14' (4.3m)	0.93
16' (4.9m)	0.87

Mounting Information



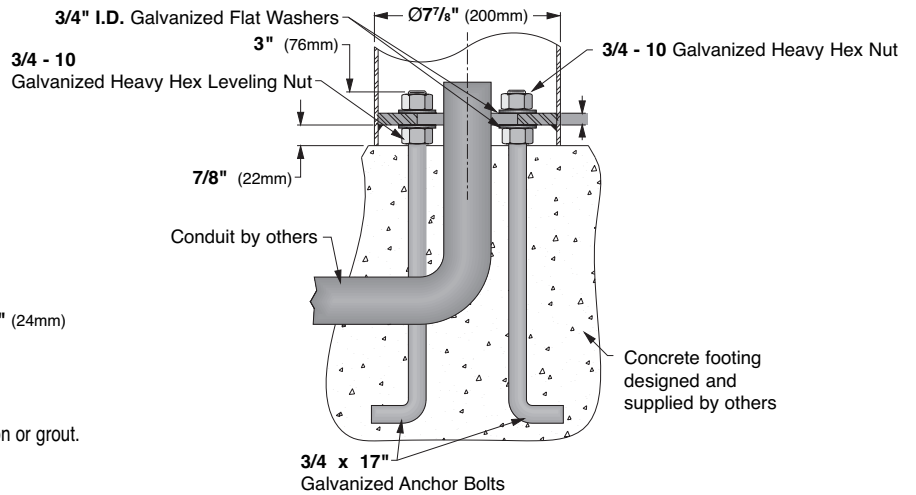
EXR Bolt Circle

Use caution when setting anchor bolts. Bolts must be vertically straight and centered on dimensions shown.



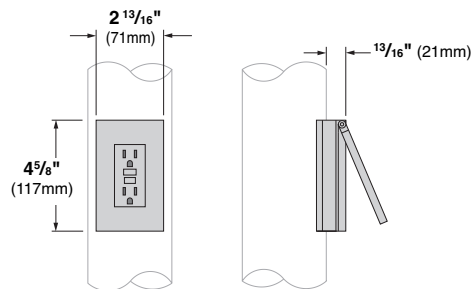
Note: Adequate drainage must be provided in concrete foundation or grout.

EXR Anchor Bolt Detail



Options

GFCI Receptacle (REC) - GFCI duplex receptacle with cast base surface mounted to column and gasketed, provided with weather-proof, self-closing cover; located 36" (915mm) from base of pole, inline with handhole. Receptacle is intended only for portable tools or other portable equipment to be connected to outlet only when attended by operating personnel.



Lamping Detail

