

# Discera 4 LED

# selux

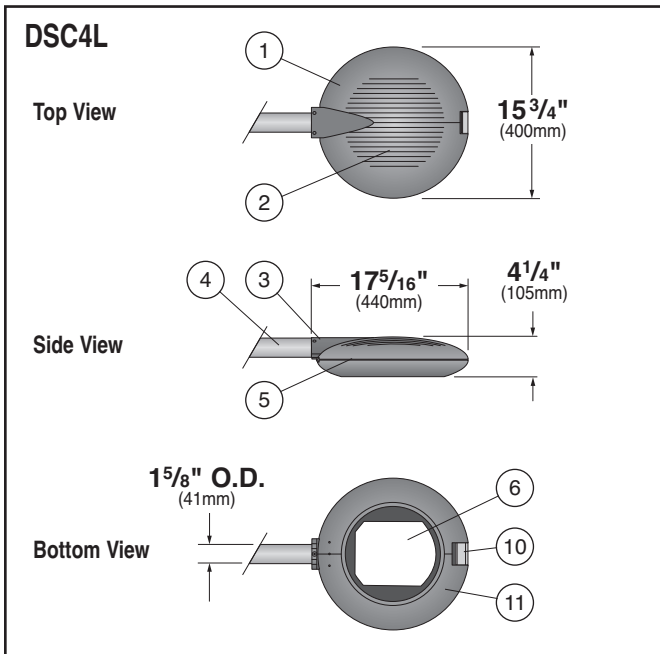


**Project:** \_\_\_\_\_

**Type:** \_\_\_\_\_ **Qty:** \_\_\_\_\_

<b>DSC4L</b>	—	—	—	—	—	—	—	—
<b>Series</b>	<b>Mounting</b>	<b>Light Engine</b>	<b>Optics</b>	<b>CCT</b>	<b>Power Cord Length</b>	<b>Finish</b>	<b>Voltage</b>	
<b>Options</b>		<b>Pole Series</b>	<b>Height</b>	<b>Finish</b>	<b>Options</b>			

Series	Mounting	Light Engine	Optics	CCT	Power Cord Length	Finish	Voltage	Options
DSC4L Discera 4 LED	S1 Single Short Arm	LG4500 500mA 51W	R1 Type I Distribution	30 <sup>5</sup> 3000 K	12	WH White	120	HLxx <sup>2,3,4</sup> Hi-Lo switching (specify lower output level. See p. 8) PC Photocell DM <sup>3,4</sup> Dimming (0-10V)  Motion Sensor w/ Optional Photocell <small>(Meets Title 24 requirements) See Pole Spec Sheet for Order Code</small>
	S2 Double Short Arm @180°			35 3500 K	15	BK Black	208	
	L1 Single Long Arm	LG4700 700mA 65W	R2 Type II Distribution	40 4000 K	18	BZ Bronze	240	
	L2 Double Long Arm @180°			50 5000 K	20	SV Silver	277	
	SW Short Arm Wall Mount	LG4105 1050mA 100W  (30) high flux white LEDs	R3 Type III Distribution	for other CCT please consult factory	25	SP Specify Premium Color		
LW Long Arm Wall Mount	R5 Type V Distribution			XX <sup>1</sup>				
<sup>1</sup> Add length of arm and height of pole to determine power cord length. <sup>2</sup> 120/240V only. <sup>3</sup> LG4700 and LG4105 Light Engine only. <sup>4</sup> Choose HL or DM option. <sup>5</sup> IDA-Approved								



- 1. Luminaire Housing** - Made from high pressure die-cast, low copper aluminum alloy.
- 2. Heat Sink Fins** - Fins add significant surface area for maximized thermal cooling.
- 3. Fitter** - Cast fitter for direct connection to standard short and long arms.
- 4. Mounting Arm** - Welded steel with powder coat finish.
- 5. Gasketing** - (not shown) Silicone gasket provides seal at door and glass opening.
- 6. Glass Lens** - Tempered and screened glass lens protects and helps seal optical chamber.

**7. Optics** - (not shown) Individual precision injection molded lenses consisting of total internal reflection (TIR) collimator and one of 3 precision light shaping lenses. Lenses produce a type I, II, III or V distribution. Luminaire is full-cut off and IDA-Approved™ Dark Sky Friendly at 3000K CCT only.

**8. LED Array** - (not shown) High flux LEDs mounted to PC boards and attached to aluminum heat sink for maximum LED performance and life. CCT tolerance 1/4 step binning for 3000K, 3500K and 4000K and ANSI standard for 5000K. CRI minimum 80 for 3000K, 3500K and 4000K and typical 80 for 5000K. Complete light engine can be removed easily for future upgrade. LED light engine provides a reported lumen maintenance of 91% at 60,000 hours. L70 calculated greater than 100,000 hours.

**9. LED Driver** - LEDs are driven by RoHS compliant high-efficiency driver. Excellent for cold temperature starting and instant on.

**10. Tool-less Latch** - Tool-less steel latch for easy access to light engine.

**11. Access Door** - Lower casting features tempered glass lens and a stainless steel hinge that attaches to upper casting on mounting arm side. Other side is secured with tool-less latch for ease of maintenance.

**12. Surge Protection** - (not shown) Luminaire includes additional surge

protection device to protect from indirect lightning strikes, standard.

**Exterior Luminaire Finish** - Selux utilizes a high quality Polyester Powder Coating. All Selux luminaires and poles are finished in our Tiger Drylac certified facility and undergo a five stage intensive pretreatment process where product is thoroughly cleaned, phosphated and sealed. Selux powder coated products provide excellent salt and humidity resistance as well as ultra violet resistance for color retention. All products are tested in accordance with test specifications for coatings from ASTM and PCI.

Standard exterior colors are White (WH), Black (BK), Bronze (BZ), and Silver (SV). Selux premium colors (SP) are available, please specify from your Selux color selection guide.

**5 Year Limited LED Luminaire Warranty** - Selux offers a 5 Year Limited Warranty to the original purchaser that the Discera 4 LED luminaire shall be free from defects in material and workmanship for up to five (5) years from date of shipment. This limited warranty covers the fixture, LED driver and LED light engine when installed and operated according to Selux instructions. Fixture suitable for ambient temperature of 35° C (95° F). For details and exclusions, see "Selux Terms and Condition of Sale."

**Listings and Ratings:** Luminaire and LED tested to IP66, IK10 and IESNA LM-79-08 standards. LED tested to LM-80 standards. Luminaire and LED tested at 25°C ambient temperature.

Selux Corp. © 2017  
TEL (845) 834-1400  
FAX (845) 834-1401  
www.selux.us  
DSC4L-1217-01 (ss-v5.7)

**NRTL Listed (i.e. UL, CSA)**

Union Made Affiliated  
with IBEW Local 363



IP66

IK10

3G Vibration Rated  
ANSI C136.31

In a continuing effort to offer the best product possible, we reserve the right to change, without notice, specifications or materials that in our opinion will not alter the function of the product. Specification sheets found at www.selux.us are the most recent versions and supercede all other printed or electronic versions.

# Discera 4 LED



## Photometry

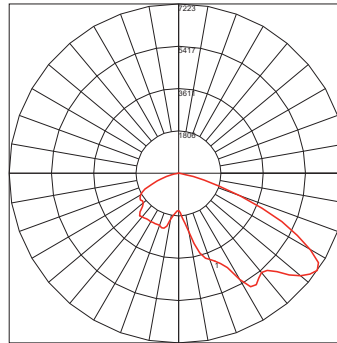
### R1 Optics /103W LED / 5000K CCT

Catalog #: DSC4L-XX-LG4105-R1-50-120  
Delivered Lumens: 8918  
Input Watts: 102.5W  
Efficacy: 87 lm/W  
CRI: >72.1  
Maximum candela of 7222 at 55° from vertical.  
IES classification - Type I  
Mounting Height = 16' (4.9 m)  
B2-U0-G1  
Power Factor: 0.992  
Total Harmonic Distortion: 6.82%

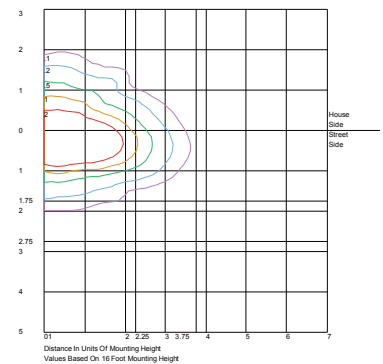
[Link to photometry \(PDF\)](#) [Link to photometry \(IES\)](#)

DOWNLOAD IES FILE:

[http://www.selux.us/fileadmin/us/exterior/ies\\_file/DSC4L\\_IES.zip](http://www.selux.us/fileadmin/us/exterior/ies_file/DSC4L_IES.zip)



Maximum Candela = 7222.985 Located At Horizontal Angle = 77.5, Vertical Angle = 55  
# 1 - Vertical Plane Through Horizontal Angles (77.5 - 257.5) (Through Max. Cd.)



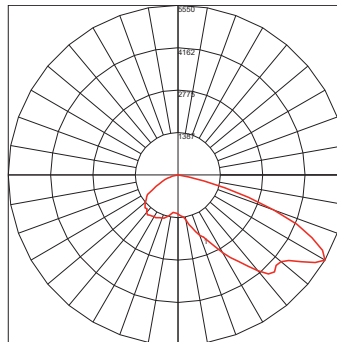
### R2 Optics / 102W LED / 5000K CCT

Catalog #: DSC4L-XX-LG4105-R2-50-120  
Delivered Lumens: 8779  
Input Watts: 102.23W  
Efficacy: 86 lm/W  
CRI: >72.1  
Maximum candela of 5549.5 at 60° from vertical.  
IES classification - Type II  
Mounting Height = 16' (4.9 m)  
B2-U0-G1  
Power Factor: 0.992  
Total Harmonic Distortion: 6.82%

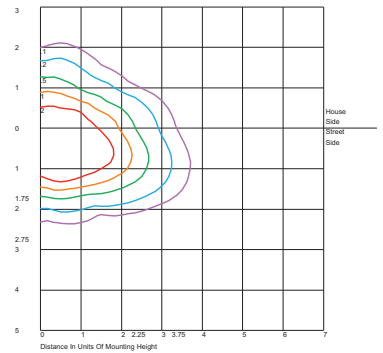
[Link to photometry \(PDF\)](#) [Link to photometry \(IES\)](#)

DOWNLOAD IES FILE:

[http://www.selux.us/fileadmin/us/exterior/ies\\_file/DSC4L\\_IES.zip](http://www.selux.us/fileadmin/us/exterior/ies_file/DSC4L_IES.zip)



Maximum Candela = 5549.588 Located At Horizontal Angle = 65, Vertical Angle = 60  
# 1 - Vertical Plane Through Horizontal Angles (65 - 245) (Through Max. Cd.)



# Discera 4 LED



## Photometry

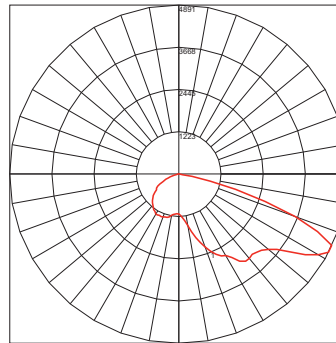
### R3 Optics / 102W LED / 5000K CCT

Catalog #: DSC4L-XX-LG4105-R3-50-120  
Delivered Lumens: 8393  
Input Watts: 102.1W  
Efficacy: 82 lm/W  
CRI: >72.1  
Maximum candela of 4891 at 65° from vertical.  
IES classification - Type III  
Mounting Height = 16' (4.9 m)  
B2-U0-G1  
Power Factor: 0.992  
Total Harmonic Distortion: 6.82%

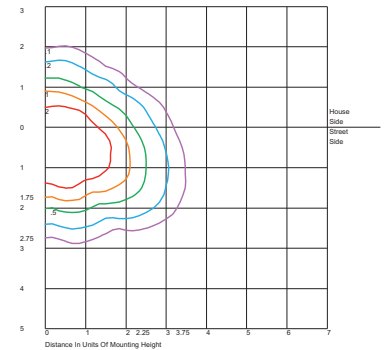
[Link to photometry \(PDF\)](#) [Link to photometry \(IES\)](#)

DOWNLOAD IES FILE:

[http://www.selux.us/fileadmin/us/exterior/ies\\_file/DSC4L\\_IES.zip](http://www.selux.us/fileadmin/us/exterior/ies_file/DSC4L_IES.zip)



Maximum Candela = 4890.85 Located At Horizontal Angle = 60, Vertical Angle = 65  
# 1 - Vertical Plane Through Horizontal Angles (90 - 240) (Through Max. Cd.)



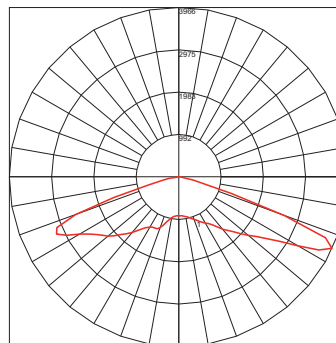
### R5 Optics / 102W LED / 5000K CCT

Catalog #: DSC4L-XX-LG4105-R5-50-120  
Delivered Lumens: 8406  
Input Watts: 102.37W  
Efficacy: 82 lm/W  
CRI: >72.1  
Maximum candela of 3966.1 at 65° from vertical.  
IES classification - Type VS  
Mounting Height = 16' (4.9 m)  
B3-U0-G1  
Power Factor: 0.992  
Total Harmonic Distortion: 6.82%

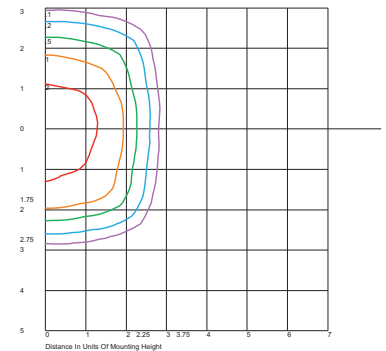
[Link to photometry \(PDF\)](#) [Link to photometry \(IES\)](#)

DOWNLOAD IES FILE:

[http://www.selux.us/fileadmin/us/exterior/ies\\_file/DSC4L\\_IES.zip](http://www.selux.us/fileadmin/us/exterior/ies_file/DSC4L_IES.zip)



Maximum Candela = 3966.112 Located At Horizontal Angle = 45, Vertical Angle = 65



# Discera 4 LED



## Photometry

Conversion Chart		
Values based on 16' (4.9 m) mounting height.		
Mounting Height		Multiply
10'	(3.0 m)	1.27
12'	(3.7 m)	1.16
14'	(4.3 m)	1.07
16'	(4.9 m)	1.00
18'	(5.5 m)	0.84

LED CCT Prorate Table	
Values based on Flux Binning	
CCT	Theoretical Multiplier
3000K	1.000
3500K	0.961
4000K	1.073
5000K	1.115

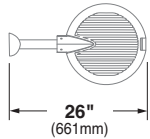
LED Information	Standard Power Electrical Specification (Type V Shown)											
	5000K			4000K			3500K			3000K		
Color Temperature												
Drive Current	1050	700	500	1050	700	500	1050	700	500	1050	700	500
Performance												
Delivered Lumens (lm)	8406	6023	4480	8094	5800	4314	7251	5196	3865	7540	5403	4019
Wattage (W)	102	68	50	102	68	50	102	68	50	102	68	50
Efficacy (lm/W)	82	88	89	79	85	86	71	76	77	73	79	82

# Discera 4 LED

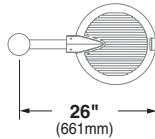
**selux**

## Short Arm Mounting

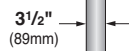
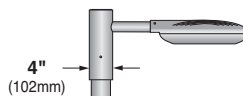
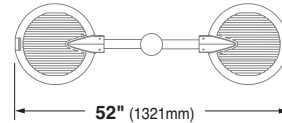
**SW Short Wall Mount**  
EPA= .65 ft<sup>2</sup> (.13m<sup>2</sup>)  
Weight= 23lbs. (10kg)



**S1 Single Short Arm**  
EPA= .65 ft<sup>2</sup> (.13m<sup>2</sup>)  
Weight= 23lbs. (10kg)



**S2 Double Short Arm**  
EPA= 1.2 ft<sup>2</sup> (.37m<sup>2</sup>)  
Weight= 46lbs. (21 kg)



Overall Height (12' shown)

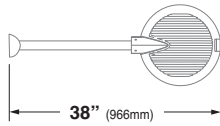


# Discera 4 LED

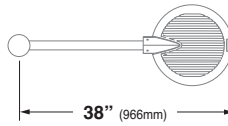
**selux**

## Long Arm Mounting

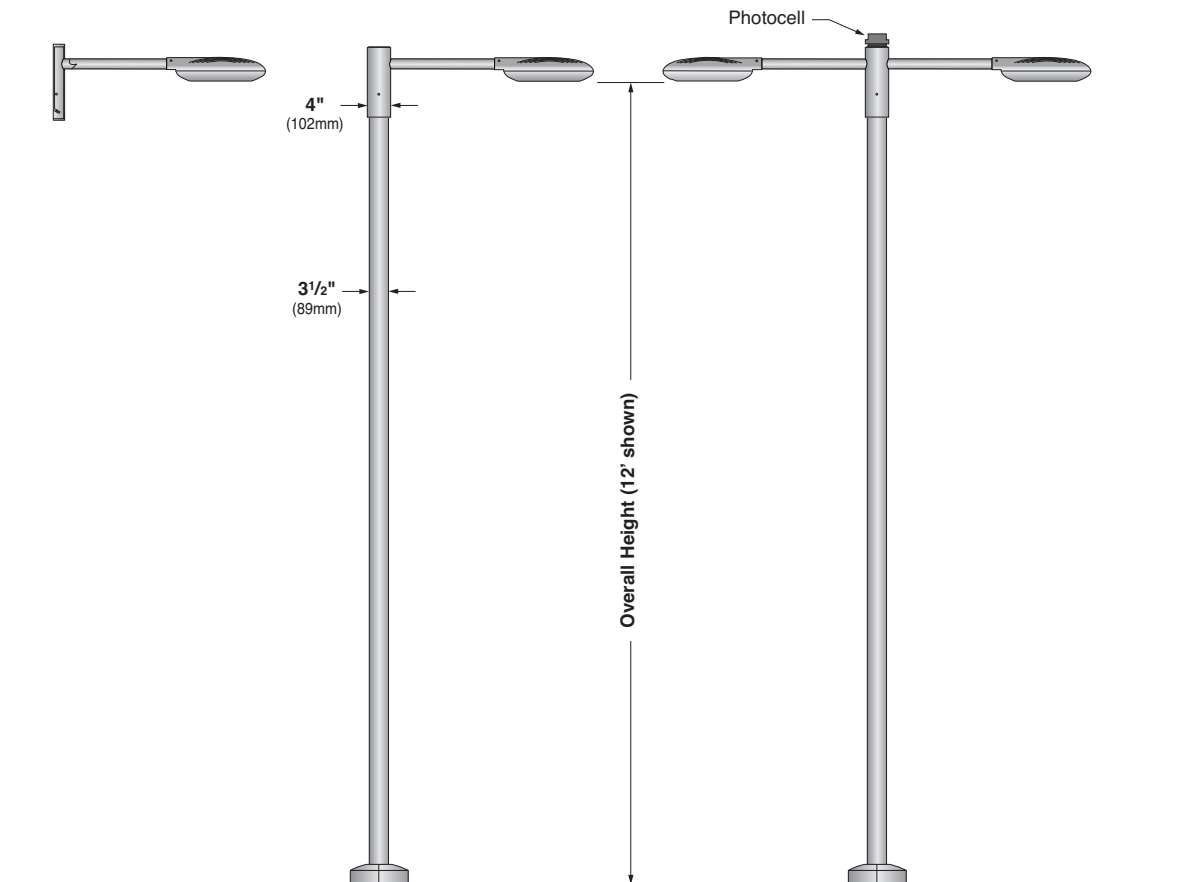
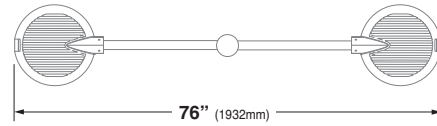
**LW Long Wall Mount**  
EPA= .75 ft<sup>2</sup> (.13m<sup>2</sup>)  
Weight= 23lbs. (10kg)



**L1 Single Long Arm**  
EPA= .75 ft<sup>2</sup> (.13m<sup>2</sup>)  
Weight= 23lbs. (10kg)



**L2 Double Long Arm**  
EPA= 1.5 ft<sup>2</sup> (.46m<sup>2</sup>)  
Weight= 46lbs. (21 kg)

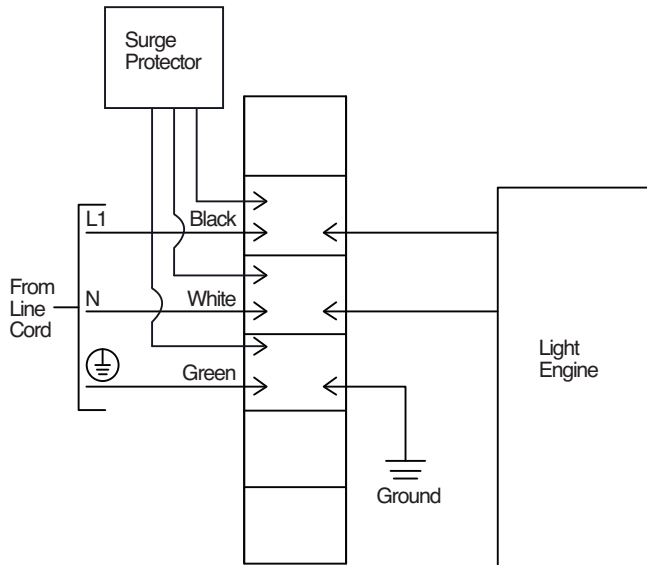


# Discera 4 LED



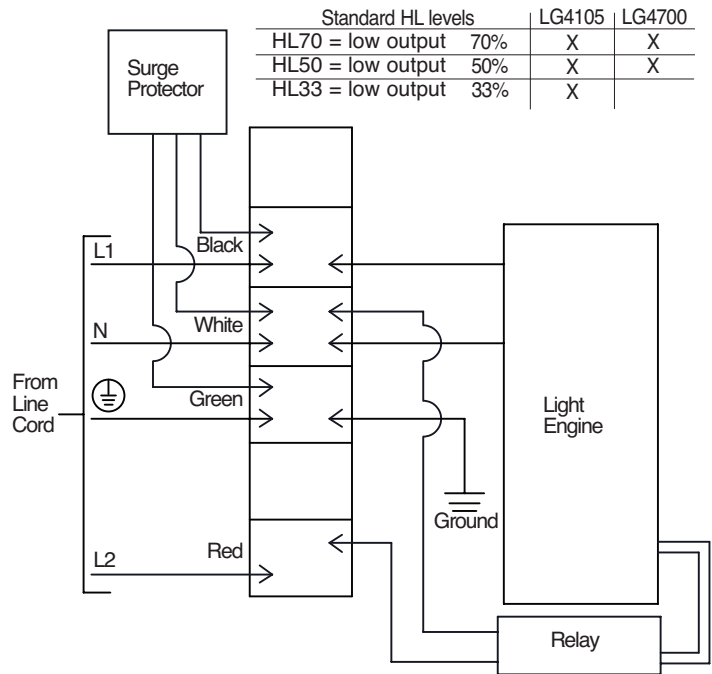
## Wiring

### Standard Single Wiring



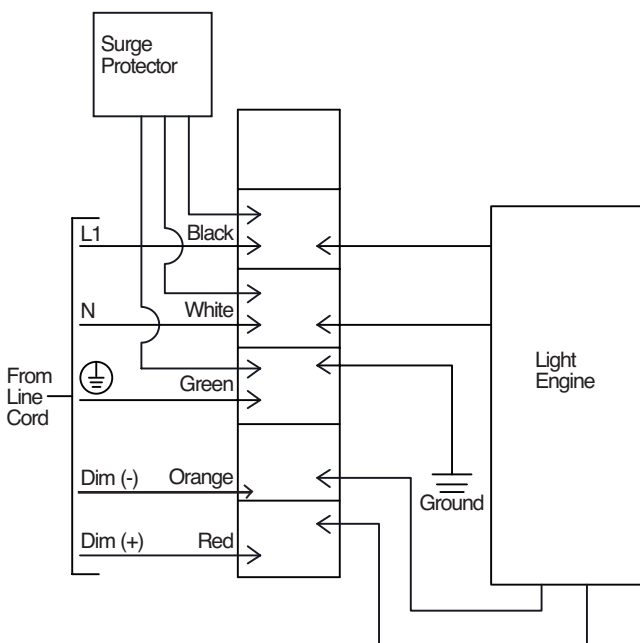
### Hi-Lo Switching Option (HL) Wiring

LG4700 and LG4105, 120V or 240V. When red is energized, light output will be at "Lo" level. Specify low level by using one of the 3 levels listed below (i.e. HL70, HL50 and HL33). For other combinations, consult factory.



### 0-10V Dimming Option (DM) Wiring

LG4700 and LG4105, 120V-277V.

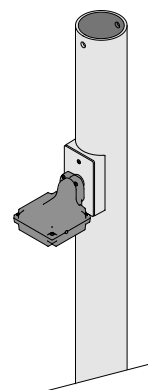
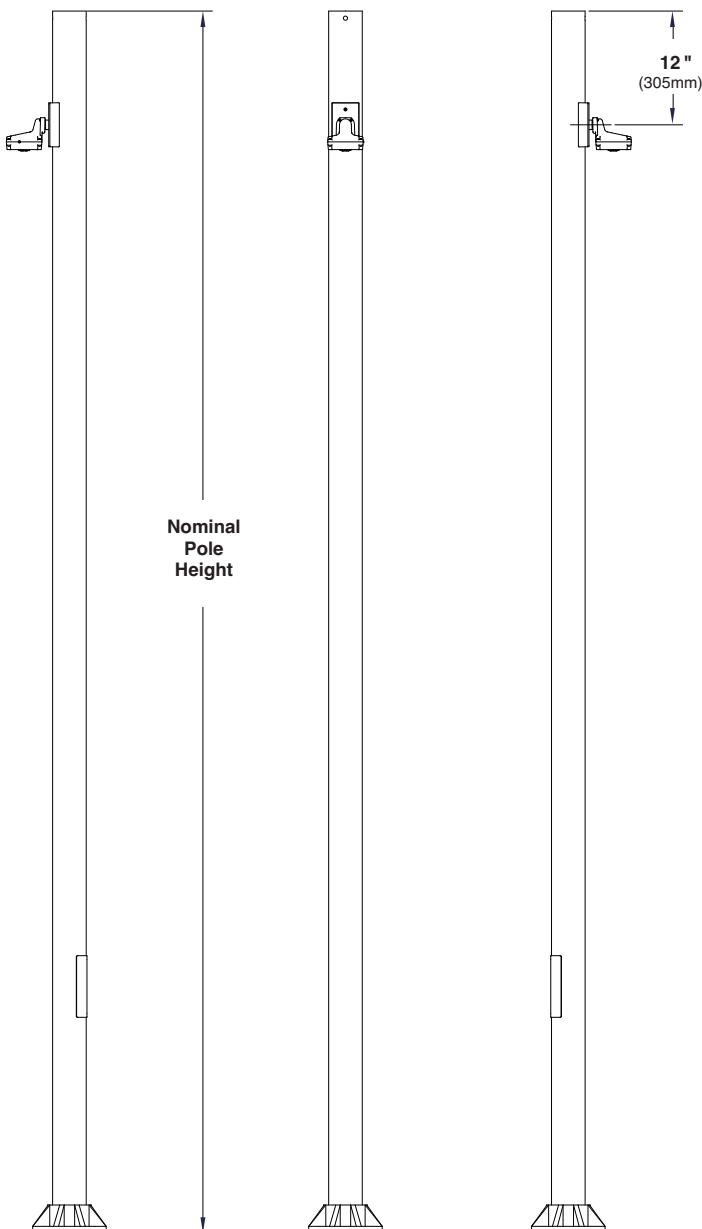


## Motion Sensor

### Pole Sensor

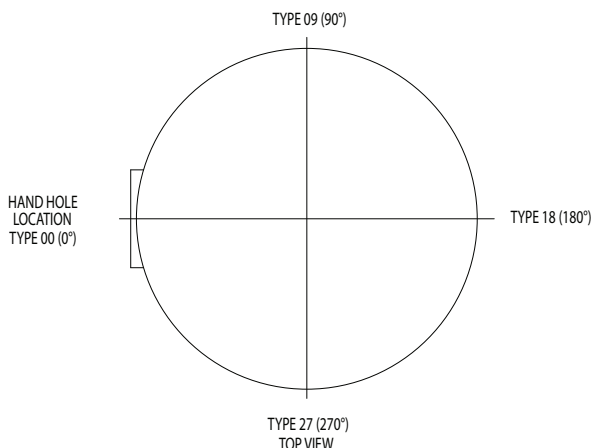
The Selux outdoor rated sensor incorporates Passive Infrared (PIR) technology for motion sensing and also includes and built in photocell. Designed to mount directly through a 1/2" KO in a single gang faceplate on pole/column, the SBO utilizes 100% Digital Passive Infrared (PIR) technology that is tuned for walking size while preventing false tripping from the environment.

Series	Optics	Hand Hole Orientation	Program	Color	Voltage
SBO	1 270° coverage - Single Sensor	00	D0 0V-100%	WH White	<b>UNV</b> <b>347</b> <b>480</b>
		09	D1 1V-100%	BK Black	
		18	D3 3V-100%	BZ Bronze	
		27	D5 5V-100%		
		Goes from dim level to full bright upon motion			



**NOTE:** Motion Sensor comes programmed at 30% dimmed level with a 5 min. delay as default. All programming required after shipping by others.

**SENSOR ANGULAR ORIENTATION FROM HAND HOLE 0° IN 90° INCREMENTS CLOCKWISE AROUND POLE (TYPE 00,09,18,27)**

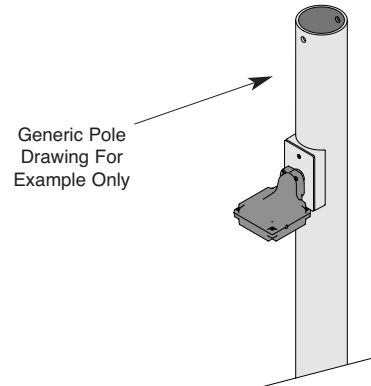




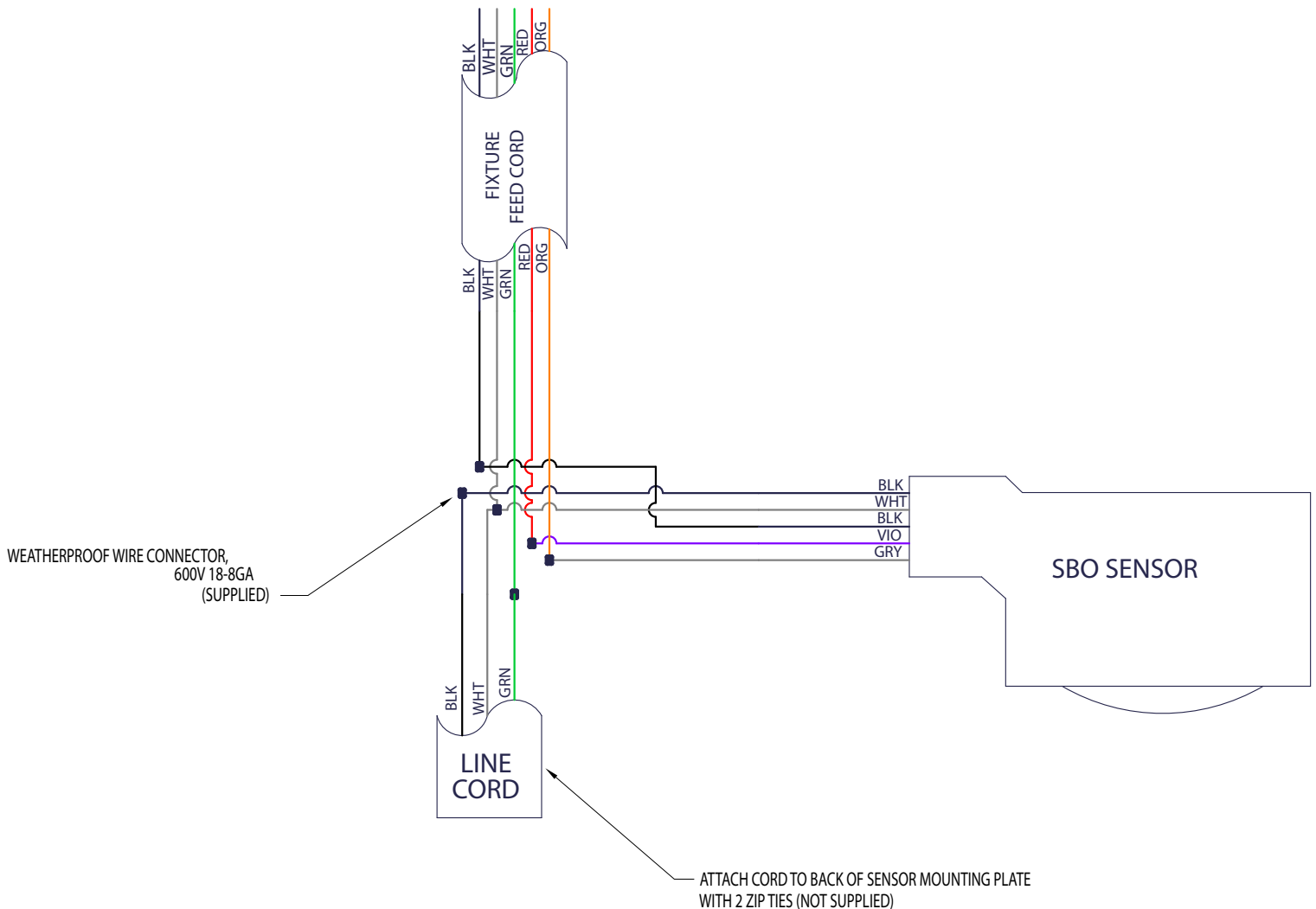
## Motion Sensor Features

### Features

- 100% Digital PIR Detection, excellent RF Immunity
- 270° coverage pattern
- Up to 30ft mounting
- IP66 Rated for outdoor applications
- Built-in 1kV surge protection
- No minimum load requirements
- Made for LED light source
- Interchangeable hot and load wires - impossible to wire backwards
- Adjustable time delays, max/min dim levels and ramp rates
- Programming button accessible without opening sensor or removing gaskets
- No field calibration or sensitivity adjustments required
- Non-volatile setting memory
- Convenient test mode
- Suitable for Title 24 applications

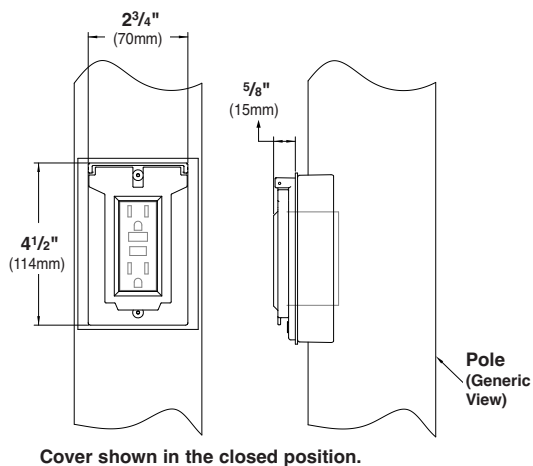


## Wiring Diagram

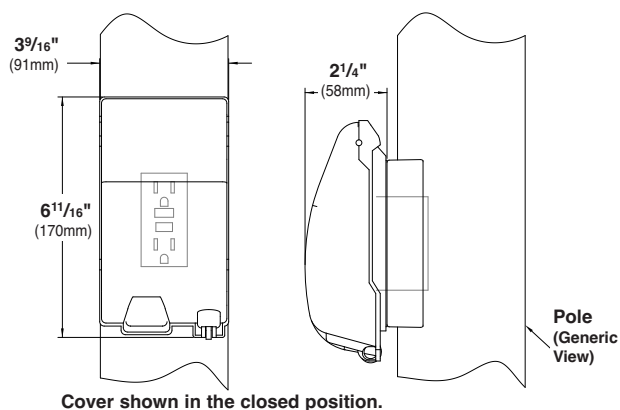


## Optional Accessories

**GFCI Receptacle with flat cover (REC)** - 120V 15A GFCI duplex receptacle with cast base welded to pole and gasketed, provided with weather-proof, self-closing non-lockable cover; located 36" (915mm) from base of pole, inline with handhole. Receptacle is intended only for portable tools or other portable equipment to be connected to outlet only when attended by operating personnel. For use with 120v applications only, for other fixture voltages, please consult factory for wire segregation requirements.

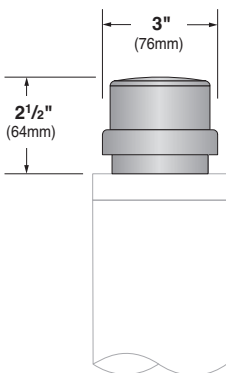


**GFCI Receptacle with in-use cover (REC2)** - 120V 15A GFCI duplex receptacle with cast base welded to pole and gasketed, provided with weather-proof, self-closing lockable cover; located 36" (915mm) from base of pole, inline with handhole. Receptacle is intended only for portable tools or other portable equipment to be connected to outlet only when attended by operating personnel. For use with 120v applications only, for other fixture voltages, please consult factory for wire segregation requirements.



## PC (Photocell) Option Detail

Note: Photocell is available for all pole and arm mounting configurations except Direct Mount.

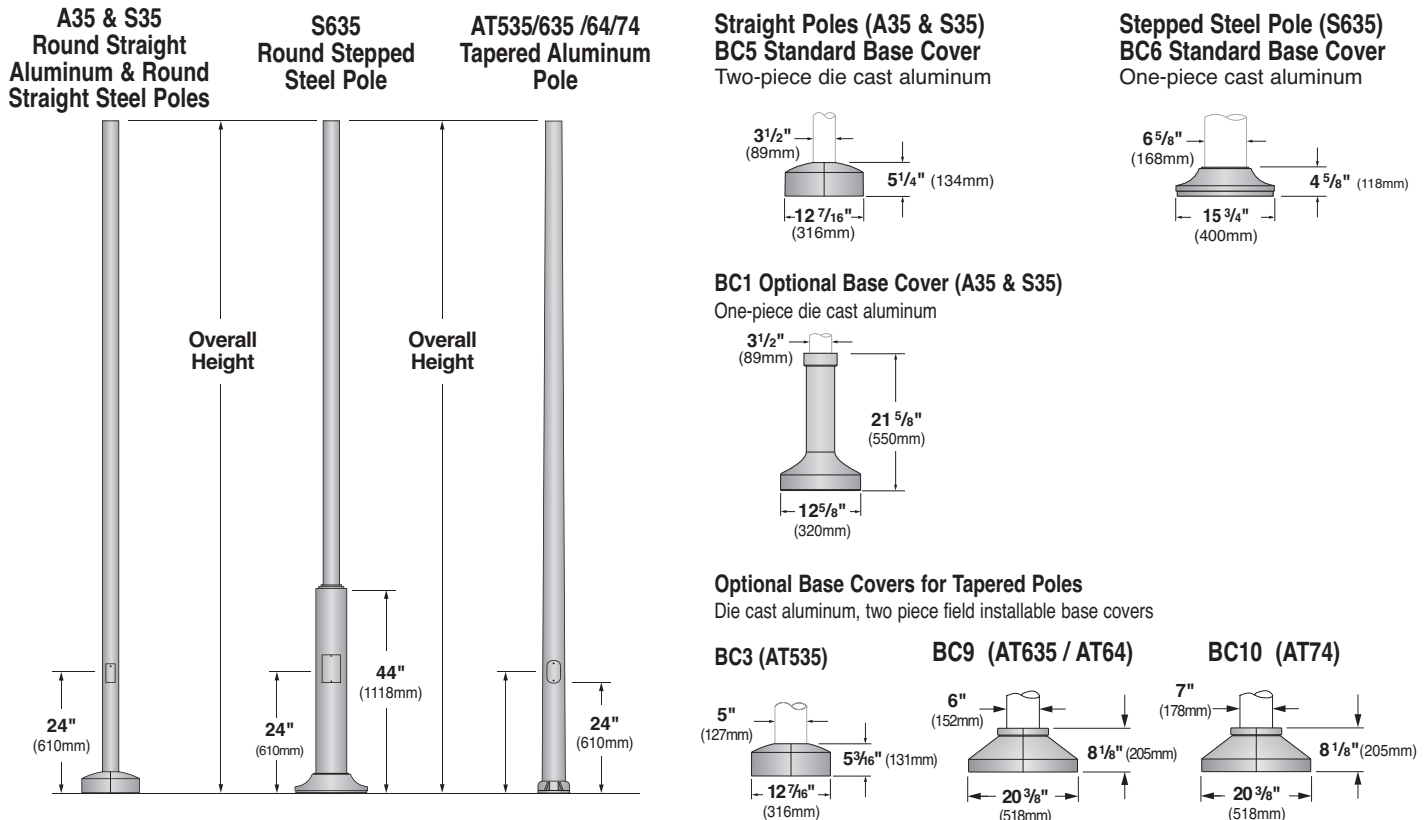


# Discera 4 LED



## Pole Information

Refer to A35, S635, S35, AT535/635 and AT64/74 Pole specification sheets for construction details, anchorage information and additional options.



Pole Series	Bolt Circle	EPA Information (ft <sup>2</sup> )					Height	Finish	Options	
		70 mph	80 mph	90 mph	100 mph	110 mph				
<b>S635</b> 3 1/2" Diameter Stepped Steel Pole	9"	45.6	35.0	27.3	21.6	17.8	10 10 ft.	WH White	BC1	Die Cast Base Cover (A35&S35 poles only)
<b>A35</b> 3 1/2" Dia. Straight Aluminum Pole	7 3/4"	12.4	9.3	7.1	5.4	4.3			BC3	Die Cast Base Cover (for AT535 poles only)
<b>S35</b> 3 1/2" Diameter Straight Steel Pole	7 3/4"	11.4	8.6	6.5	4.9	3.9			BC9	Die Cast Base Cover (for AT64 poles only)
<b>S635</b> 3 1/2" Diameter Stepped Steel Pole	9"	37.6	28.7	22.3	17.5	14.4	12 12 ft.	BZ Bronze	BC10	Die Cast Base Cover (for AT74 poles only)
<b>A35</b> 3 1/2" Dia. Straight Aluminum Pole	7 3/4"	9.9	7.3	5.4	4.0	3.1			REC	GFCI Receptacle with weather-proof cover*
<b>S35</b> 3 1/2" Diameter Straight Steel Pole	7 3/4"	9.1	6.7	4.9	3.6	2.8			REC2	GFCI Receptacle with weather-proof lockable cover*
<b>AT535</b> 5" to 3 1/2" Tapered Aluminum Pole	8 1/2"	19.4	14.4	10.9	8.6	6.9	14 14 ft.	SV Silver	MS	Motion Sensor w/ Optional Photozell (Meets Title 24 Requirements)
<b>S635</b> 3 1/2" Diameter Stepped Steel Pole	9"	31.7	24.2	18.6	14.6	11.9			T35	3 1/2" Tennon (required for AT64 and AT74 poles for arm mounting)
<b>A35</b> 3 1/2" Dia. Straight Aluminum Pole	7 3/4"	8.0	5.8	4.2	3.0	2.2			For Photozell option, see p.1 * Weatherproof cover intended for portable tools or other portable equipment connected to the outlet only when attended. For other requirements please consult factory.	
<b>S35</b> 3 1/2" Diameter Straight Steel Pole	7 3/4"	7.3	5.3	3.8	2.7	1.9	16 16 ft.	SP Specify Premium Color		
<b>AT535</b> 5" to 3 1/2" Tapered Aluminum Pole	8 1/2"	12.9	9.4	7.1	5.5	4.4				
<b>S635</b> 3 1/2" Diameter Stepped Steel Pole	9"	21.7	15.8	12.3	9.6	7.6				
<b>A35</b> 3 1/2" Dia. Straight Aluminum Pole	7 3/4"	4.9	3.2	2.2	1.4	0.8	18 18 ft.			
<b>S35</b> 3 1/2" Diameter Straight Steel Pole	7 3/4"	4.4	2.8	1.9	1.2	0.6				
<b>AT535</b> 5" to 3 1/2" Tapered Aluminum Pole	8 1/2"	10.7	7.7	5.6	4.2	3.3				
<b>AT535</b> 5" to 3 1/2" Tapered Aluminum Pole	8 1/2"	11.1	7.8	5.6	4.2	3.2	20 20 ft.			
<b>AT64</b> 6" to 4" Tapered Aluminum Pole	9 3/4"	15.7	11.5	8.7	6.9	5.5				
<b>AT64</b> 6" to 4" Tapered Aluminum Pole	9 3/4"	13.5	9.6	7.1	5.6	4.4				
<b>AT74</b> 7" to 4" Tapered Aluminum Pole	10 1/2"	20.3	15.0	11.4	9.0	7.3				

Other pole configurations available, consult factory. Allowable EPA Calculated according to AASHTO 94 and include allowance for 1.3 gust factor. See Mounting Configuration Pages for fixture, arm weight and EPA values.