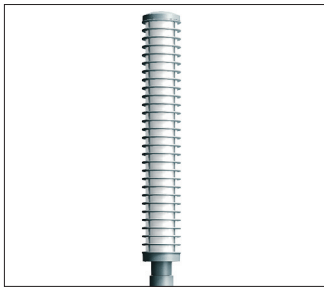


Corral[®] Column LED

selux



Project: _____

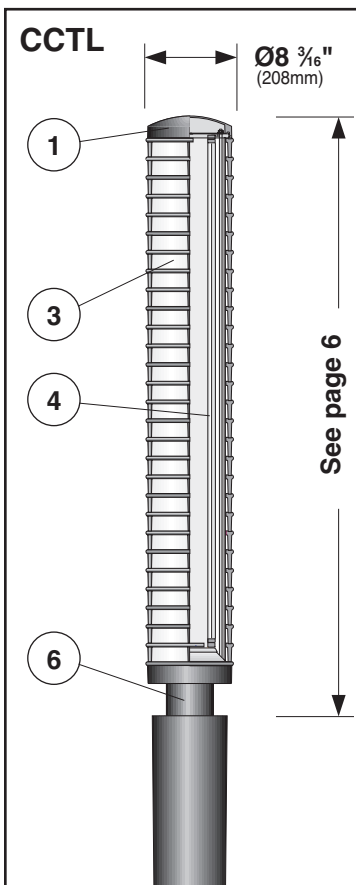
Type: _____ **Qty:** _____

Series	Nominal Overall Height	Nominal Height of Lit Section	Light Engine	CCT	Finish	Voltage
--------	------------------------	-------------------------------	--------------	-----	--------	---------

Options

Series	Nominal Overall Height	Nominal Height of Lit Section	Light Engine	CCT	Finish	Voltage	Options
CCTL Corral [®] Column LED Round Tapered Pole	12 12'	2 2'	1B30	27 2700 K	WH White	UNV ⁴	DM Dimming (0-10V)
	14 14'	3 3'	2B30	30 3000 K	BK Black	120	HL50 ² Hi-Lo Switching *See p. 9 for details
	16 16'	4 4'	3B30	35 3500 K	BZ Bronze	208	REC ³ GFCI Receptacle w/ weather-proof cover
		4B30	40 4000 K	SV Silver	240	REC ³ GFCI Receptacle w/ padlockable in-use cover	
CCCL Corral [®] Column LED Round 8" Straight Pole	10 10'			Consult factory for other CCTs	SP Specify	277	MS Motion Sensor w/ Optional Photocell (Meets Title 24 requirements) *See page 2 for details
	12 12'				Premium	347 ¹	
	14 14'				Color	480 ¹	
	16 16'						

¹ Requires step down transformer ² 120V, 240V, and 277V only ³ 120V only ⁴ 120V-277V



1. Luminaire Cover - Die-cast, aluminum cover, with smooth crisp form to reflect and complement the column design. Removes by loosening three stainless steel set screws for easy access to lamp chamber.

2. Gasketing - (not shown) Continuous gaskets provide weather-proofing, dust, and insect control at all fixture connections.

3. Shielding - White, translucent, UV stabilized acrylic, minimum wall thickness 0.118" (3mm) inside of die cast aluminum "Corral[®]" rings.

4. LED Light Engine - High efficiency LED light engine equipped with brand-name LEDs, available in 2700K, 3000K, 3500K, or 4000K CCT tolerance within a 3-step MacAdams ellipse.

5. Drivers - (not shown) Electronic universal 120-277V, PFC > 0.95

6. Column Fitter - (not shown) Die-cast aluminum fitter, with built-in gasketing ridges, for smooth transition to column.

7. Pole Fitter - Self-leveling, die-cast aluminum, fitter base secured to pole with two, stainless steel, Allen head set screws. 3 1/2" (89mm) O.D. poles.

8. Surge Protector - (not shown) Designed to protect luminaire from electrical surge (10kA).

9. Base Cover - (not shown, CCTL Only) Standard two-piece base cover is made from die-cast 356 alloy aluminum which is heat treated to produce a T6 temper.

10. Hi-Lo Switching - (not shown) For details, please see page 6.

11. Thermal Foldback - (not shown) Integrated Thermal Foldback circuit will reduce the drive current if the ambient temperature exceeds the maximum rated ambient temperature. This ensures maximum light output in various operating conditions while assuring long-term lumen maintenance.

Exterior Luminaire Finish - Selux utilizes a high quality Polyester Powder Coating. All Selux luminaires and poles are finished in our Tiger Drylac certified facility and undergo a five stage intensive pretreatment process where product is thorough-

ly cleaned, phosphated and sealed. Selux powder coated products provide excellent salt and humidity resistance as well as ultraviolet resistance for color retention. All products are tested in accordance with test specifications for coatings from ASTM and PCI.

Standard exterior colors are White (WH), Black (BK), Bronze (BZ), and Silver (SV). Selux premium colors (SP) are available, please specify from your Selux color selection guide.

5 Year Limited LED Luminaire Warranty - Selux offers a 5 Year Limited Warranty to the original purchaser that the Corral Column LED luminaire shall be free from defects in material and workmanship for up to five (5) years from date of shipment. This limited warranty covers the LED driver and LED array when installed and operated according to Selux instructions. For Corral Column LED luminaire suitable for ambient temperature of 45°C (113°F). For details, see "Selux Terms and Condition of Sale."

Listings and Ratings: Tested to INRTL Wet Location and IESNA LM-79-08 standards. LED tested to LM-80 standards. Luminaire and LED tested at 25°C (77°F) ambient temperature.

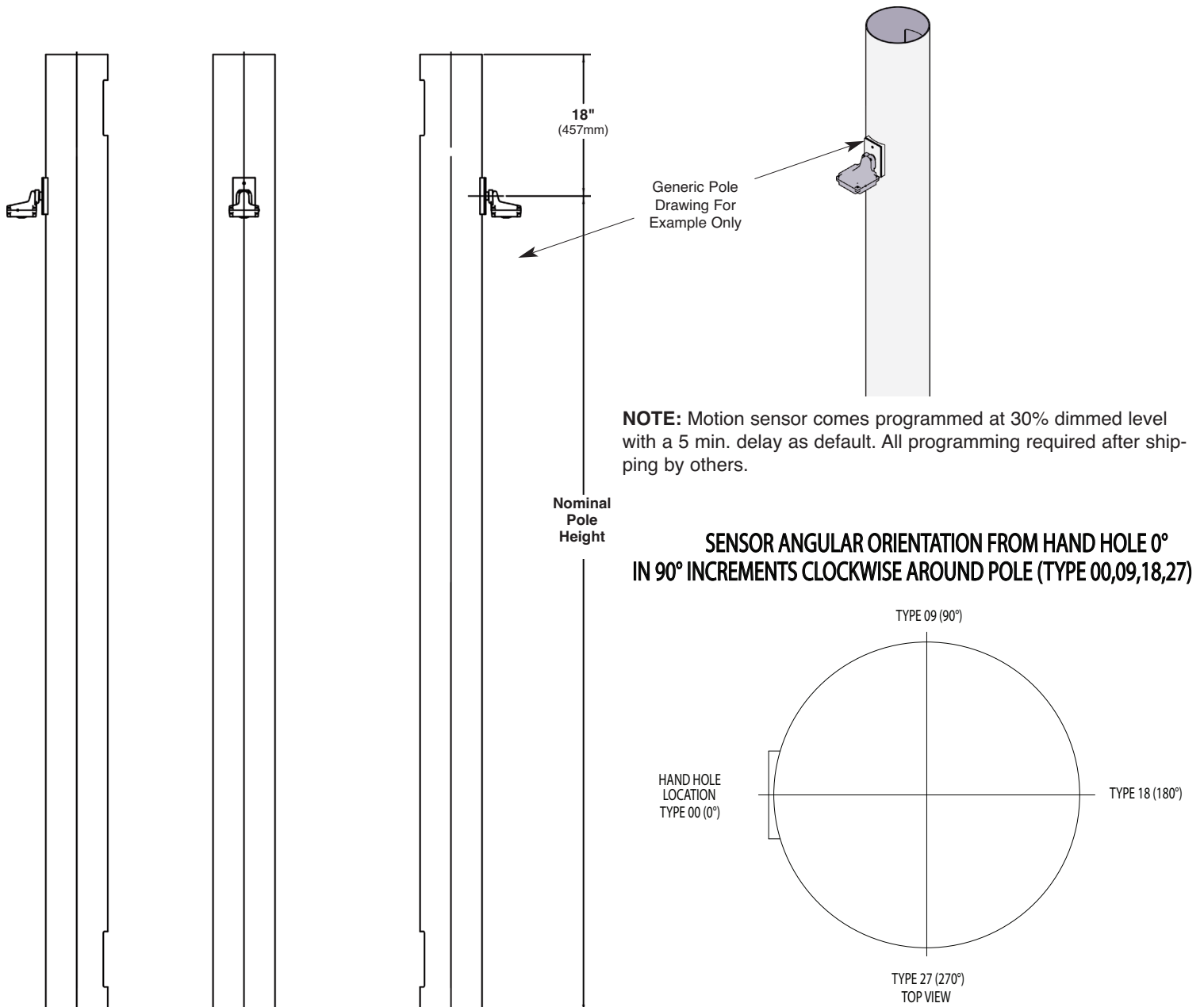
Corral[®] Column LED



Motion Sensor

The Selux outdoor rated sensor incorporates Passive Infrared (PIR) technology for motion sensing and also includes and built in photocell. Designed to mount directly through a 1/2" KO in a single gang faceplate on pole/column, the SBO utilizes 100% Digital Passive Infrared (PIR) technology that is tuned for walking size while preventing false tripping from the environment.

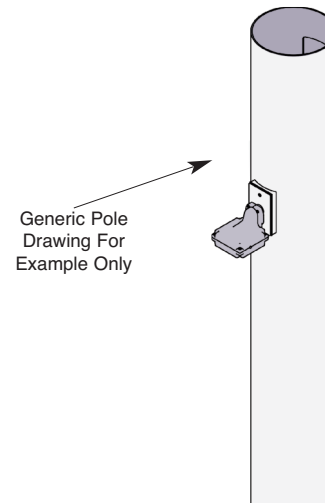
Series	Optics	Hand Hole Orientation	Program	Color	Photocell Feature	Voltage
MS Motion Sensor	1 270° coverage - Single Sensor	00	D0 0V=0%	WH White	Y Yes	UNV 347 480
		09	D1 1V=10%	BK Black	N No	
		18	D3 3V=30%	BZ Bronze		
		27	D5 5V=50%			
		Goes from dim level to full bright upon motion				



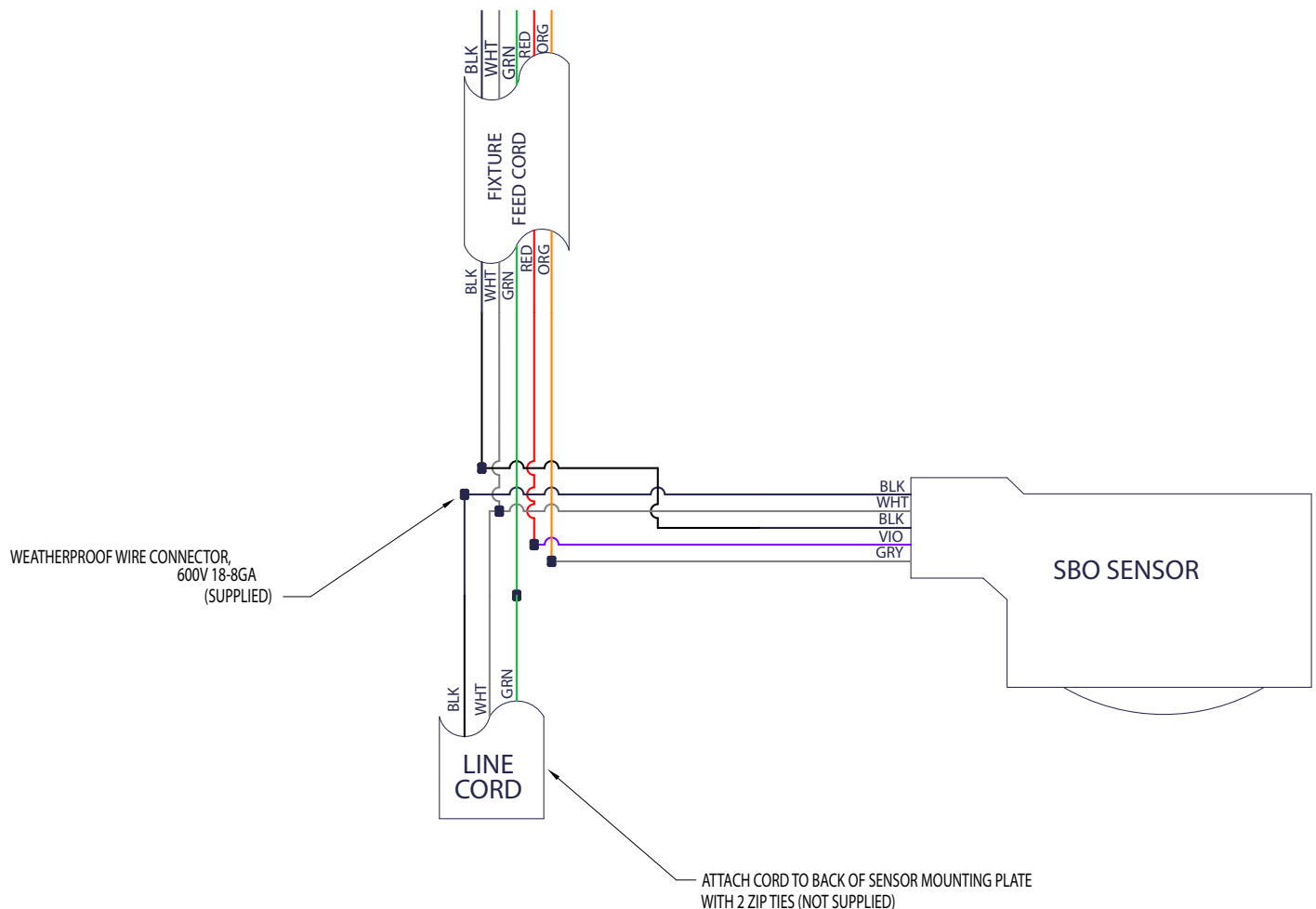
Motion Sensor Features

Features

- 100% Digital PIR Detection, excellent RF Immunity
- 270° coverage pattern
- Up to 30ft mounting
- IP66 Rated for outdoor applications
- Built-in 1kV surge protection
- No minimum load requirements
- Made for LED light source
- Interchangeable hot and load wires - impossible to wire backwards
- Adjustable time delays, max/min dim levels and ramp rates
- Programming button accessible without opening sensor or removing gaskets
- No field calibration or sensitivity adjustments required
- Non-volatile setting memory
- Convenient test mode
- Suitable for Title 24 applications



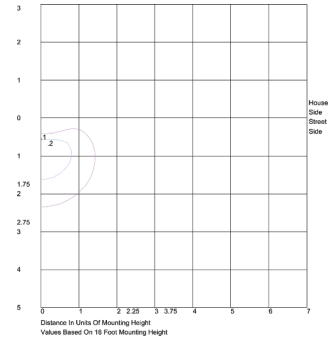
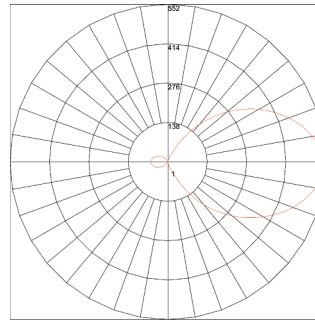
Wiring Diagram



Photometry

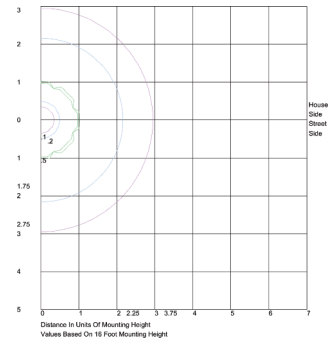
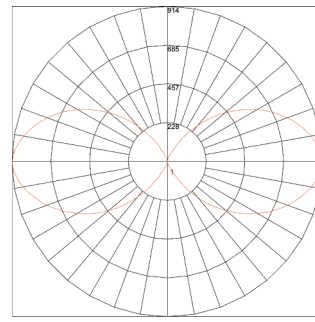
CCCL / 1B30 / 3000K CCT
Catalog # CCCL-X-4-1B30-30-UNV
Report # LM-63-2002

- Ideal for applications requiring linear distributions.
- Maximum candela of 552 at 90° from vertical.
- IES classification - B0-U4-G2
- Mounting Height = 16' (4.87 M)
- 1613 Delivered Lumens
- 60 Lumens per Watt

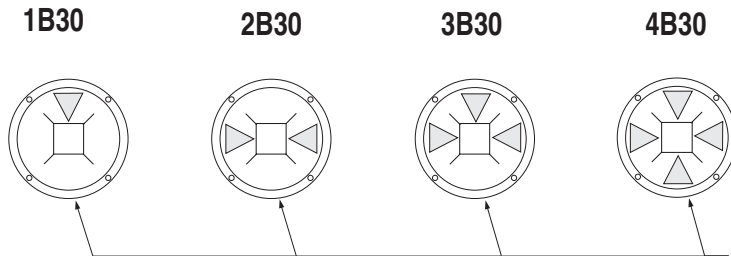


CCCL / 4B30 / 3000K CCT
Catalog # CCCL-X-4-4B30-30-UNV
Report # LM-63-2002

- Ideal for applications requiring linear distributions.
- Maximum candela of 913 at 90° from vertical.
- IES classification - B2-U5-G3
- Mounting Height = 16' (4.87 M)
- 6399 Delivered Lumens
- 60 Lumens per Watt



LED Lamping Distribution Guide



Handhole Side - For CCTL, fixture head orientation in relation to Handhole is field adjustable. CCCL is NOT field adjustable.

Corral LED Bollard Photometry Multiplier Table		
CCT Multiplier		
4000K	1.000	
3500K	1.010	
3000K	0.942	
2700K	0.884	
Light Engine Multiplier		
Light Engine	Lumens	Wattages
1B30	0.245	0.269
2B30	0.460	0.479
3B30	0.879	0.916
4B30	1.000	1.000

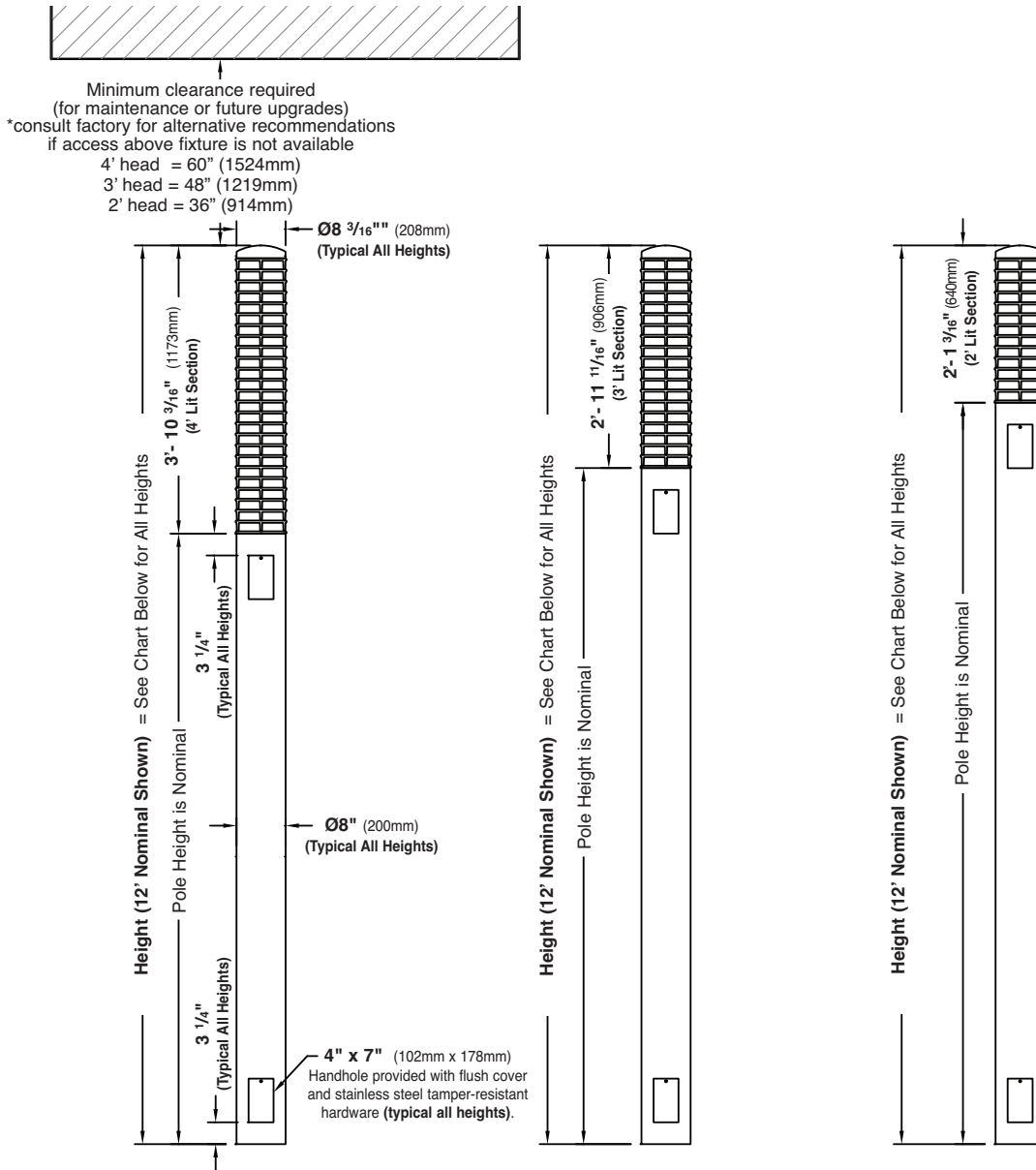
Photometry

Corral Column LED Lumen Matrix								
Model#	Watts	Base Scale Factor	Delivered Lumens	CCCL Toolbox Scale Factor	Lumens/Watt	Light Engine Multiplier	CCT Multiplier	
Single Light Engine (1B30)								
CCCL-X-2-1B30-27-XX-UNV	13.27	0.252	757	0.4421	57.1	0.252	2700K (Multiplier = 0.884)	
CCCL-X-3-1B30-27-XX-UNV	19.91	0.252	1136	0.6632	57.1			
CCCL-X-4-1B30-27-XX-UNV	26.54	0.252	1515	0.8842	57.1			
Double Light Engine (2B30)								
CCCL-X-2-2B30-27-XX-UNV	26.91	0.500	1503	0.4425	55.9	0.500		
CCCL-X-3-2B30-27-XX-UNV	40.36	0.500	2255	0.6632	55.9			
CCCL-X-4-2B30-27-XX-UNV	53.81	0.500	3006	0.8842	55.9			
Triple Light Engine (3B30)								
CCCL-X-2-3B30-27-XX-UNV	39.50	0.737	2214	0.4421	56.0	0.737		
CCCL-X-3-3B30-27-XX-UNV	59.24	0.737	3320	0.6632	56.0			
CCCL-X-4-3B30-27-XX-UNV	78.99	0.737	4427	0.8842	56.0			
Quad Light Engine (4B30)								
CCCL-X-2-4B30-27-XX-UNV	53.39	0.884	3004	0.4421	56.3	0.884		
CCCL-X-3-4B30-27-XX-UNV	80.08	0.884	4505	0.6632	56.3			
CCCL-X-4-4B30-27-XX-UNV	106.77	0.884	6007	0.8842	56.3			
Single Light Engine (1B30)								
CCCL-X-2-1B30-30-XX-UNV	13.27	0.252	807	0.4709	60.8	0.252	3000K (Multiplier = 0.942)	
CCCL-X-3-1B30-30-XX-UNV	19.91	0.252	1210	0.7064	60.8			
CCCL-X-4-1B30-30-XX-UNV	26.54	0.252	1613	0.9418	60.8			
Double Light Engine (2B30)								
CCCL-X-2-2B30-30-XX-UNV	26.91	0.500	1601	0.4709	59.5	0.500		
CCCL-X-3-2B30-30-XX-UNV	40.36	0.500	2402	0.7064	59.5			
CCCL-X-4-2B30-30-XX-UNV	53.81	0.500	3202	0.9418	59.5			
Triple Light Engine (3B30)								
CCCL-X-2-3B30-30-XX-UNV	39.50	0.737	2358	0.4709	59.7	0.737		
CCCL-X-3-3B30-30-XX-UNV	59.25	0.737	3537	0.7064	59.7			
CCCL-X-4-3B30-30-XX-UNV	79.00	0.737	4716	0.9418	59.7			
Quad Light Engine (4B30)								
CCCL-X-2-4B30-30-XX-UNV	53.40	0.942	3199	0.4709	59.9	0.942		
CCCL-X-3-4B30-30-XX-UNV	80.10	0.942	4799	0.7064	59.9			
CCCL-X-4-4B30-30-XX-UNV	106.80	0.942	6399	0.9418	59.9			
Single Light Engine (1B30)								
CCCL-X-2-1B30-35-XX-UNV	13.27	0.252	865	0.5052	65.2	0.252	3500K (Multiplier = 1.010)	
CCCL-X-3-1B30-35-XX-UNV	19.91	0.252	1298	0.7578	65.2			
CCCL-X-4-1B30-35-XX-UNV	26.54	0.252	1731	1.0104	65.2			
Double Light Engine (2B30)								
CCCL-X-2-2B30-35-XX-UNV	26.91	0.500	1718	0.5052	63.8	0.500		
CCCL-X-3-2B30-35-XX-UNV	40.36	0.500	2576	0.7578	63.8			
CCCL-X-4-2B30-35-XX-UNV	53.81	0.500	3435	1.0104	63.8			
Triple Light Engine (3B30)								
CCCL-X-2-3B30-35-XX-UNV	39.50	0.737	2529	0.5052	64.0	0.737		
CCCL-X-3-3B30-35-XX-UNV	59.25	0.737	3794	0.7578	64.0			
CCCL-X-4-3B30-35-XX-UNV	79.00	0.737	5059	1.0104	64.0			
Quad Light Engine (4B30)								
CCCL-X-2-4B30-35-XX-UNV	53.40	1.010	3432	0.5052	64.3	1.010		
CCCL-X-3-4B30-35-XX-UNV	80.10	1.010	5148	0.7578	64.3			
CCCL-X-4-4B30-35-XX-UNV	106.80	1.010	6864	1.0104	64.3			
Single Light Engine (1B30)								
CCCL-X-2-1B30-40-XX-UNV	13.27	0.252	857	0.2521	64.5	0.252	4000K (Multiplier = 1.000)	
CCCL-X-3-1B30-40-XX-UNV	19.91	0.252	1285	0.2521	64.5			
CCCL-X-4-1B30-40-XX-UNV	26.54	1.000	1713	0.2521	64.5			
Double Light Engine (2B30)								
CCCL-X-2-2B30-40-XX-UNV	26.91	0.500	1700	0.5004	63.2	0.500		
CCCL-X-3-2B30-40-XX-UNV	40.36	0.500	2550	0.5004	63.2			
CCCL-X-4-2B30-40-XX-UNV	53.81	1.000	3400	0.5004	63.2			
Triple Light Engine (3B30)								
CCCL-X-2-3B30-40-XX-UNV	39.50	0.737	2504	0.7370	63.4	0.737		
CCCL-X-3-3B30-40-XX-UNV	59.24	0.737	3755	0.7370	63.4			
CCCL-X-4-3B30-40-XX-UNV	78.99	1.000	5007	0.7370	63.4			
Quad Light Engine (4B30)								
CCCL-X-2-4B30-40-XX-UNV	53.39	0.500	3397	0.5000	63.6	1.000		
CCCL-X-3-4B30-40-XX-UNV	80.08	0.750	5096	0.7500	63.6			
CCCL-X-4-4B30-40-XX-UNV	106.77	1.000	6794	1.0000	63.6			

Corral[®] Column LED



Mounting Details - CCCL



Overall Height Nominal	Lit Section Nominal	Pole Height Nominal	ASSHTO 1994 Max EPA Wind Rating	ASSHTO 2001 Max EPA Wind Rating	ASSHTO 2009 Max EPA Wind Rating
10' (10')	4' (3' - 10 3/16")	6' (6' - 1 13/16")	200mph	200mph	200mph
10' (10')	3' (2' - 11 11/16")	7' (7' - 0 5/16")	200mph	200mph	200mph
10' (10' - 3")	2' (2' - 1 3/16")	8' (8' - 1 13/16")	200mph	200mph	200mph
12' (12')	4' (3' - 10 3/16")	8' (8' - 1 13/16")	200mph	200mph	200mph
12' (12')	3' (2' - 11 11/16")	9' (9' - 0 5/16")	200mph	200mph	200mph
12' (12' - 3")	2' (2' - 1 3/16")	10' (10' - 1 13/16")	200mph	200mph	200mph
14' (14')	4' (3' - 10 3/16")	10' (10' - 1 13/16")	200mph	200mph	200mph
14' (14')	3' (2' - 11 11/16")	11' (11' - 0 5/16")	200mph	200mph	200mph
14' (14' - 3")	2' (2' - 1 3/16")	12' (12' - 1 13/16")	200mph	200mph	200mph
16' (16')	4' (3' - 10 3/16")	12' (12' - 1 13/16")	200mph	200mph	200mph
16' (16')	3' (2' - 11 11/16")	13' (13' - 0 5/16")	200mph	200mph	200mph
16' (16')	2' (2' - 1 3/16")	14' (13' - 10 13/16")	200mph	200mph	200mph

Corral[®] Column LED

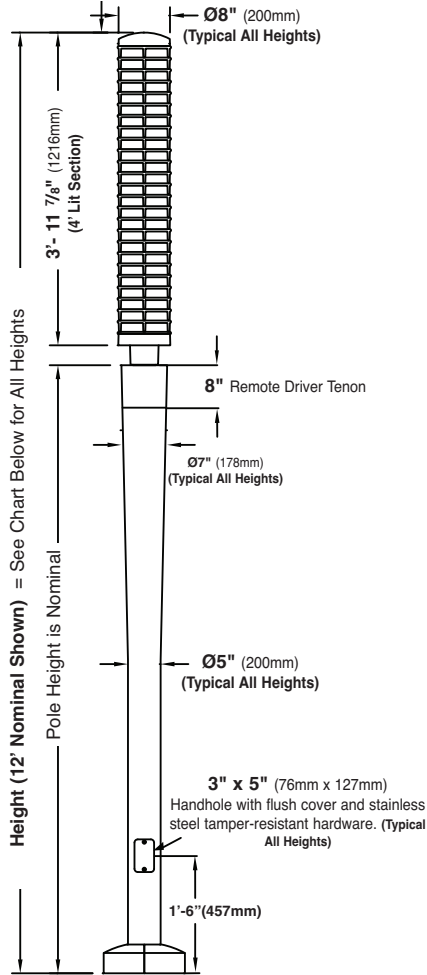


Mounting Details - CCTL

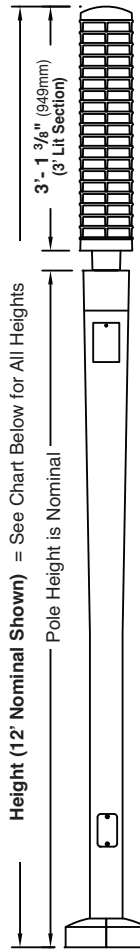


Minimum clearance required
(for maintenance or future upgrades)
*consult factory for alternative recommendations
if access above fixture is not available

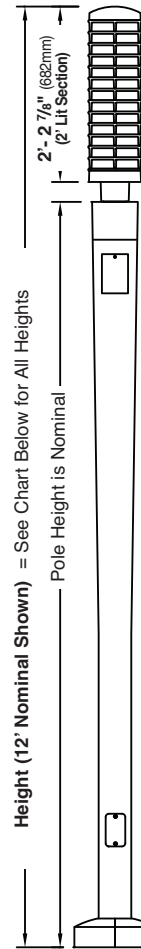
4' head = 60" (1524mm)
3' head = 48" (1219mm)
2' head = 36" (914mm)



Single 4' lit section (Fixture Head)
Effective Projected Area = 3.5 ft.² (0.325m²)
Weight of Luminaire = 38 lb (17.23 kg)



Single 3' lit section (Fixture Head)
Effective Projected Area = 2.7 ft.² (0.250m²)
Weight of Luminaire = 26 lb (11.79 kg)



Single 2' lit section (Fixture Head)
Effective Projected Area = 1.8 ft.² (0.167m²)
Weight of Luminaire = 20 lb (9.07 kg)

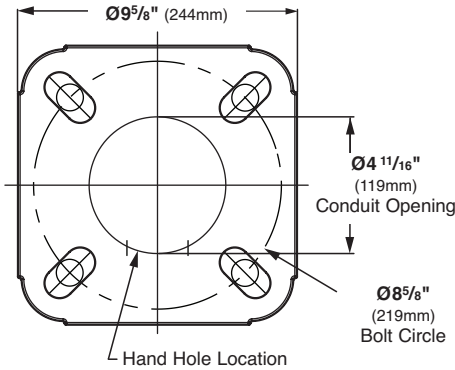
Overall Height Nominal	Lit Section Nominal	Pole Height Nominal	ASSHTO 1994 Max EPA Wind Rating	ASSHTO 2001 Max EPA Wind Rating	ASSHTO 2009 Max EPA Wind Rating
12' (12')	4' (3' - 11 7/8")	8' (7' - 8 1/8")	110mph	150mph	150mph
12' (12')	3' (3' - 1 3/8")	9' (8' - 2 5/8")	110mph	150mph	150mph
12' (12' - 3")	2' (2' - 2 7/8")	10' (9' - 8 1/8")	110mph	150mph	150mph
14' (14')	4' (3' - 11 7/8")	10' (9' - 8 1/8")	110mph	150mph	150mph
14' (14')	3' (3' - 1 3/8")	11' (10' - 2 5/8")	110mph	150mph	150mph
14' (14' - 3")	2' (2' - 2 7/8")	12' (11' - 8 1/8")	110mph	150mph	150mph
16' (16')	4' (3' - 11 7/8")	12' (11' - 8 1/8")	110mph	150mph	150mph
16' (16')	3' (3' - 1 3/8")	13' (12' - 2 5/8")	110mph	150mph	150mph
16' (16')	2' (2' - 2 7/8")	14' (13' - 5 1/8")	110mph	150mph	150mph

Corral[®] Column LED

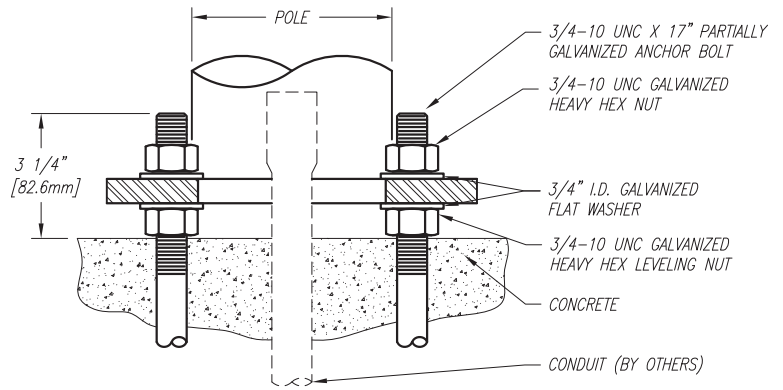


Mounting Details

CCTL Bolt Circle

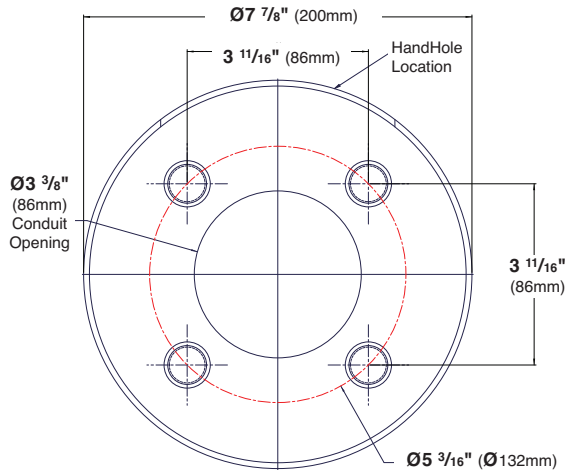


CCTL Anchor Bolt Detail

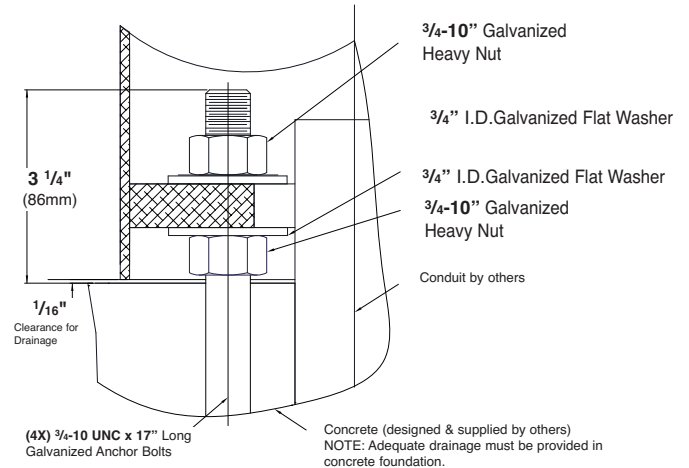


BOLT CIRCLE DETAIL (Not to Scale)
 USE CAUTION WHEN SETTING ANCHOR BOLTS. BOLTS MUST BE VERTICALLY STRAIGHT AND CENTERED ON DIMENSIONS SHOWN.

CCCL Bolt Circle

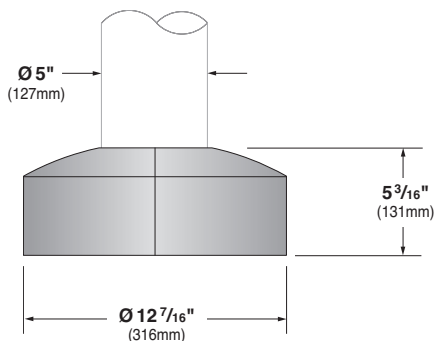


CCCL Anchor Bolt Detail



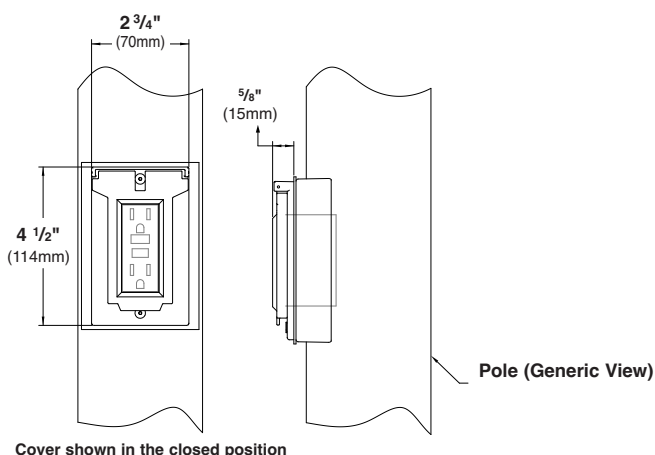
BC3 Standard Base Cover (CCTL)

Die-cast aluminum, two-piece field installable base cover.

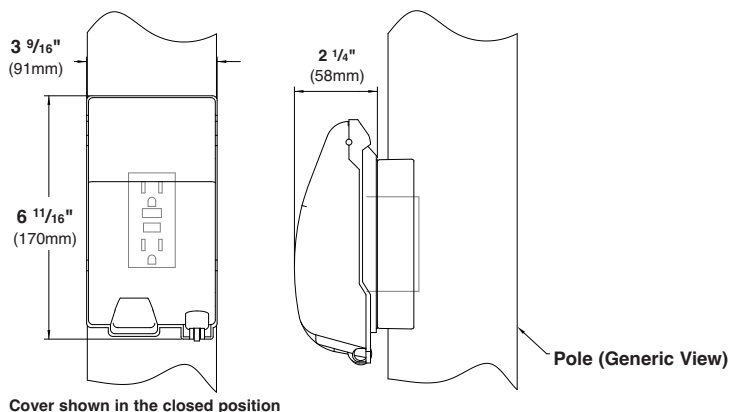


Optional Accessories

GFCI Receptacle (REC) - 120V 15A GFCI duplex receptacle with weather-proof, self-closing cover; located 36" (915mm) from base of pole, inline with handhole. Receptacle is intended only for portable tools or other portable equipment to be connected to outlet only when attended by operating personnel. For use with 120V applications only. For other fixture voltages, please consult factory for wire segregation requirements.



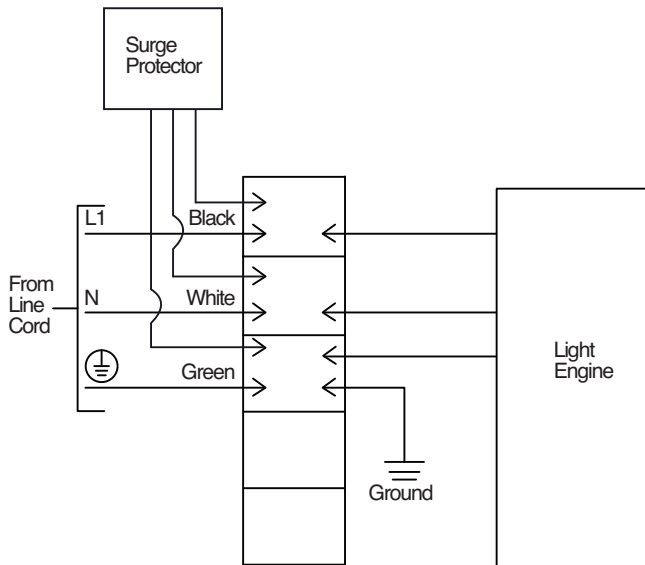
GFCI Receptacle (REC2) - 120V 15A GFCI duplex receptacle with weather-proof, self-closing, padlockable in-use cover; located 36" (915mm) from base of pole, inline with handhole. Receptacle is intended only for portable tools or other portable equipment to be connected to outlet only when attended by operating personnel. For use with 120V applications only. For other fixture voltages, please consult factory for wire segregation requirements.



Wiring Diagrams

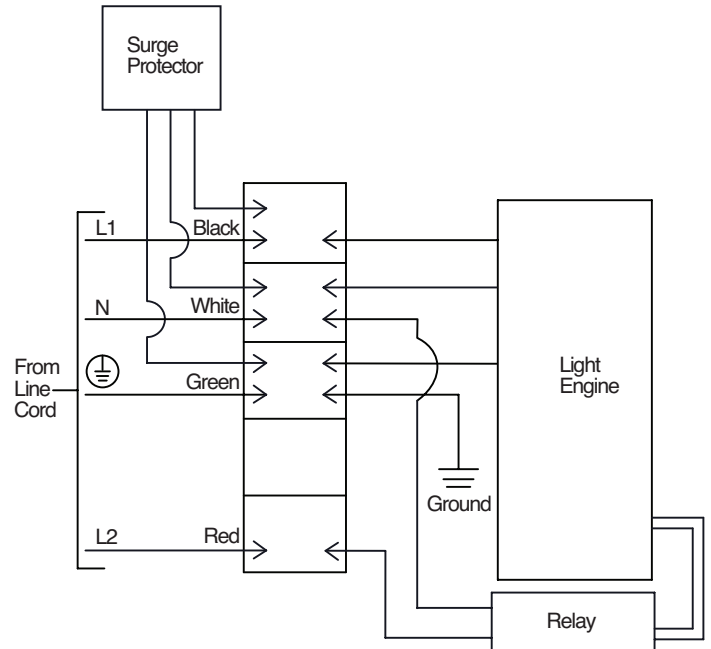
Standard Single Wiring

For 120-277V



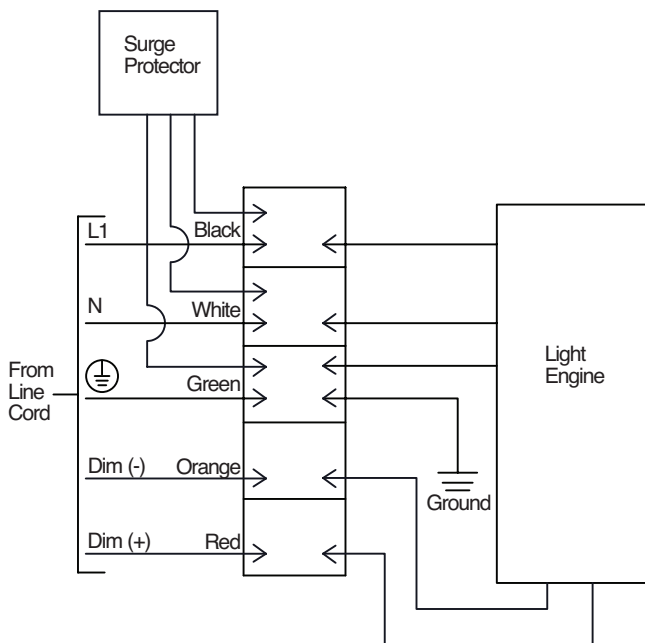
Hi-Lo Switching Option (HL) Wiring

For 120-277V. When red is energized, light output will be at "Lo" level. Standard HL level: HL50 = low output, 50%. For other "Lo" levels, consult factory.



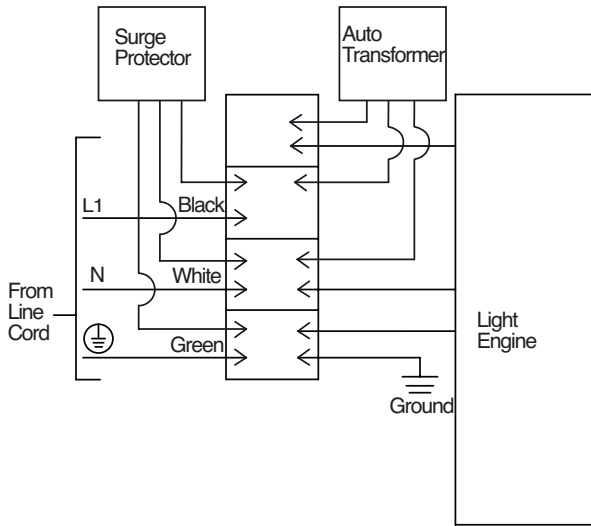
0-10V Dimming Option (DM) Wiring

For 120-277V



Wiring Diagrams

347/480V (Standard)



347/480V with 0-10V Dimming Option

