

# Beta Pendant

# selux



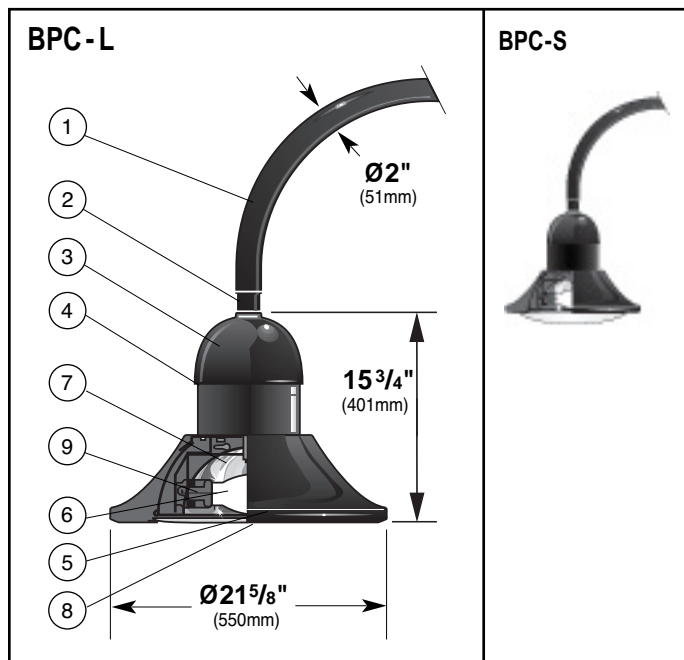
**Project:** \_\_\_\_\_

**Type:** \_\_\_\_\_ **Qty:** \_\_\_\_\_

Series    Optics    Reflector    Mounting    Lamping    Finish    Voltage    Options

Pole Series    Height    Finish    Pole Options

Series	Optics	Reflector	Mounting	Lamping		Finish	Voltage	Options
BPC Beta Pendant	L Flat Glass Lens	R2 Type II Aluminum Reflector	1 Single	<b>Metal Halide</b>	<b>HPS</b>	WH White	120	HS House Side Shield
	S Sagged Glass Lens	R3 Type III Aluminum Reflector	2C Double Cluster	H050 <sup>1</sup> 50w	S050 <sup>1</sup> 50w	BK Black	208	QR Quartz Restrike (40w Max)
		R5 Type V Aluminum Reflector	3C Triple Cluster	H070 70w	S070 70w	BZ Bronze	240	FS' Single Fusing
			4C Quadruple Cluster	H100 100w	S100 100w	SV Silver	277	PCT Photocell Tenon
			W Wall Mount	H150 150w	S150 <sup>2</sup> 150w	SP Specify Premium Color	347	
			P Pendant	<sup>1</sup> Not available for 347v <sup>2</sup> Only for 55v lamp				



**1. Mounting Arm** - Ø2" (51mm) curved arm attaches to pole by means of a transition fitter supplied with fixture.

**2. Fixture Connection** - The fixture cap is securely fastened to curved arm using a steel connector.

**3. Fixture Cap** - Decorative fixture cap; removable to provide easy access to ballast.

**4. Gasketing** - Continuous molded gaskets provide weather-proofing, dust, and insect control.

**5. Fixture Hood** - Decorative aluminum shade.

**6. Lamp** - One clear, ED17 metal halide or high pressure sodium up to 150w. Horizontal lamp for R2 and R3 reflectors; base-up vertical lamp for R5 reflector. Lamp provided by others.

**7. Reflector** - Precision formed aluminum reflector available with a Type II, III, or V distribution.

**8. Shielding** - Specify tempered flat glass lens (L), or tempered sagged glass lens (S). Lenses are secured using a captive ring and are easily removable for access to lamp (no special tools required). Version with tempered Glass Lens (BPC-L) is IDA-Approved™ dark sky friendly.

**9. Socket** - 4KV Pulse rated porcelain medium base socket pre-wired to ballast at factory.

**10. Ballast** - (Not shown) A high efficiency, pulse start, core and coil ballast regulates voltage for H.I.D. lamp. Consult factory for detailed ballast information.

Polyester Powder Coating. All Selux luminaires and poles are finished in our Tiger Drylac certified facility and undergo a five stage intensive pretreatment process where product is thoroughly cleaned, phosphated and sealed. Selux powder coated products provide excellent salt and humidity resistance as well as ultra violet resistance for color retention. All products are tested in accordance with test specifications for coatings from ASTM and PCI.

Standard exterior colors are White (WH), Black (BK), Bronze (BZ) and Silver (SV). Selux premium colors (SP) are available, please specify from your Selux color selection guide. Hot Dip Galvanized finish (GV) on all steel parts also available.

Selux Corp. © 2013  
TEL (845) 834-1400  
FAX (845) 834-1401  
www.selux.us  
BP-0813-01 (ss-v7.0)

**NRTL Listed (i.e. UL, CSA)**

Union Made Affiliated  
with **IBEW Local 363**



**Exterior Luminaire Finish** - Selux utilizes a high quality

In a continuing effort to offer the best product possible, we reserve the right to change, without notice, specifications or materials that in our opinion will not alter the function of the product. Specification sheets found at www.selux.us are the most recent versions and supercede all other printed or electronic versions.

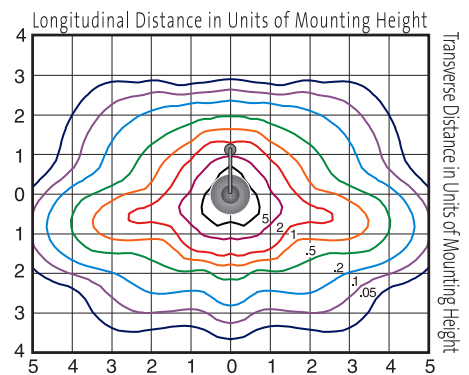
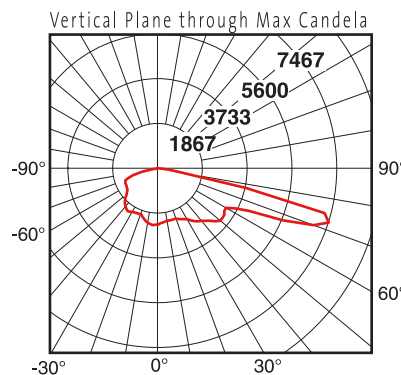
## Photometry

**Closed Version / Tempered Flat Glass Lens / R2 Reflector / 150w MH**

**Catalog # BPC-L-R2-1-H150**  
**Report # 2410 / SX-870AN3**

- Precision formed aluminum reflector with specular "kick"reflectors to precisely control distribution.
- Ideal for applications demanding max. spacing.
- Maximum candela of 7467 at 72.5° from vertical.
- IES classification - Type II Full Cutoff.
- IDA-Approved™ dark sky friendly.

DOWNLOAD IES FILE:  
[http://www.selux.us/fileadmin/us/exterior/ies\\_file/BP\\_IES.zip](http://www.selux.us/fileadmin/us/exterior/ies_file/BP_IES.zip)

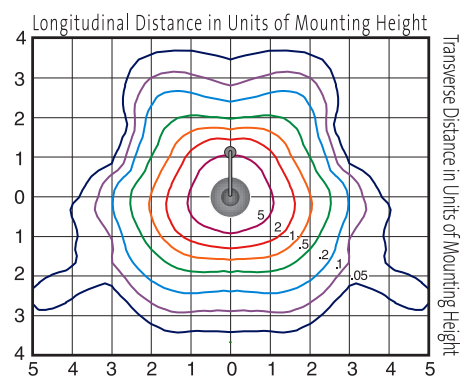
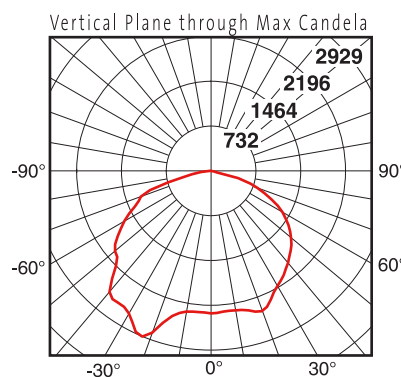


**Closed Version / Tempered Flat Glass Lens / R3 Reflector / 150w MH**

**Catalog # BPC-L-R3-1-H150**  
**Report # LSI-13535**

- Precision formed aluminum reflector with specular "kick"reflectors to precisely control distribution.
- Ideal for applications demanding max. spacing.
- Maximum candela of 2929 at -22.5° from vertical.
- IES classification - Type II Full Cutoff.
- IDA-Approved™ dark sky friendly.

DOWNLOAD IES FILE:  
[http://www.selux.us/fileadmin/us/exterior/ies\\_file/BP\\_IES.zip](http://www.selux.us/fileadmin/us/exterior/ies_file/BP_IES.zip)

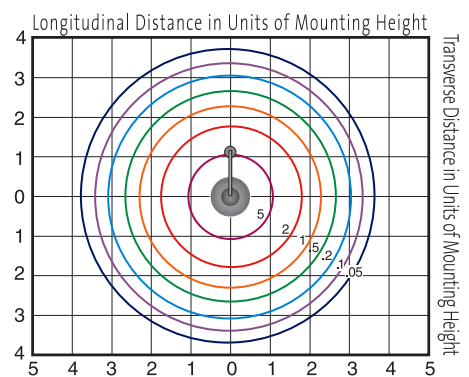
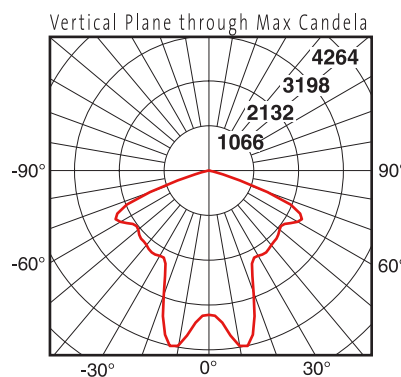


**Closed Version / Tempered Flat Glass Lens / R5 Reflector / 150w MH**

**Catalog # BPC-L-R5-1-H150**  
**Report # LSI-13593**

- Precision formed aluminum reflector with vertical, base-up lamp.
- Ideal for applications demanding a uniform symmetric light distribution.
- Maximum candela of 4264 at 12.5° and -12.5° from vertical.
- IES classification - Type V Full Cutoff.
- IDA-Approved™ dark sky friendly.

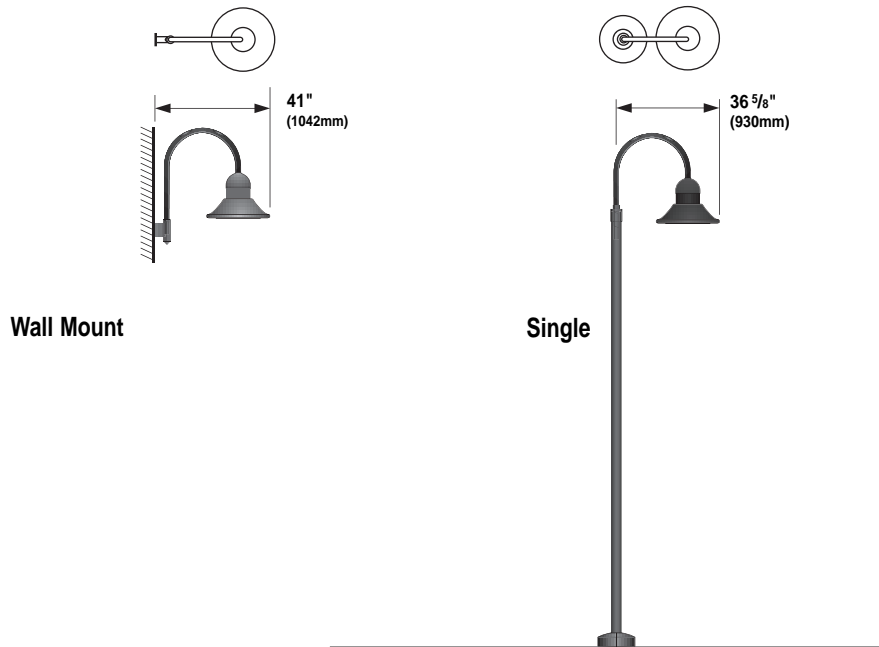
DOWNLOAD IES FILE:  
[http://www.selux.us/fileadmin/us/exterior/ies\\_file/BP\\_IES.zip](http://www.selux.us/fileadmin/us/exterior/ies_file/BP_IES.zip)



HID Lamp Prorate Table (ED-17 Clear, Medium-Base Lamp)					
High Pressure Sodium			Metal Halide		
Wattage	Factor	Initial Lumens	Wattage	Factor	Initial Lumens
50	0.28	4000	50	0.24	3400
70	0.45	6400	70	0.39	5500
100	0.67	9500	100	0.64	9000
150	1.02	14400	150	1.00	14000

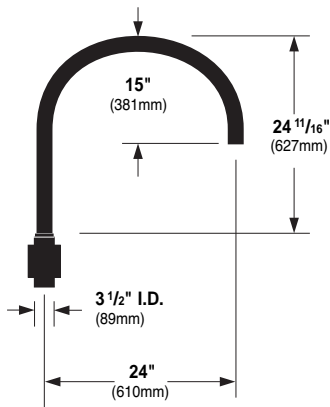
Conversion Chart	
Values based on 12' mounting height.	
Mounting Height	Multiply
8'	1.22
10'	1.10
12'	1.00
14'	0.93
16'	0.87

## Mounting



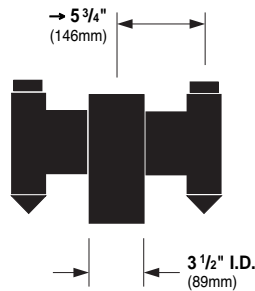
### Arm

Curved steel tubing supplied with fixture head. Arm radius = 12" (305mm). Steel fitter slips over pole and is secured with (3) stainless steel screws.



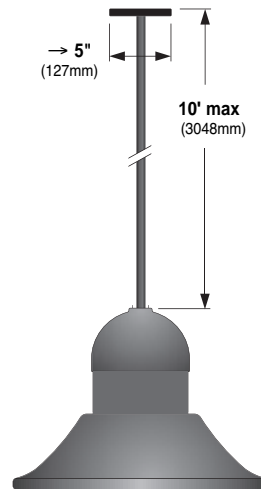
### Multiple Pole Fitter

Fabricated steel fitter base and transition to pole. Secured to pole with (4) stainless steel Allen head set screws. Decorative caps at bottom of mounting arm locations are formed aluminum and drilled for water drainage.



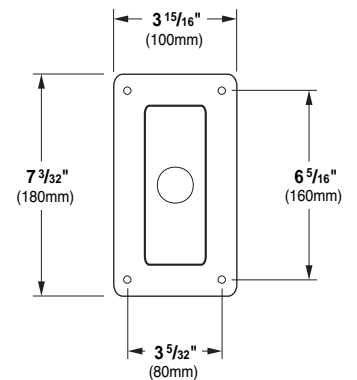
### Stem for Pendant Mount

3/4" NPT steel threaded pipe. Specify stem length (10' max.) Formed steel canopy (→ 5.0" / 12.7mm) supplied with crossbar for junction box mounting. Junction box to be secured for load bearing requirements appropriate to local codes.



### Wall Mount Back Plate

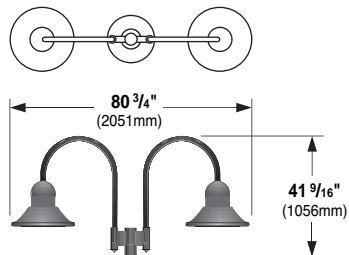
Fabricated steel mounting. Secured to wall with 5/16" (8mm) diameter fasteners (by others).



## Mounting

### Double

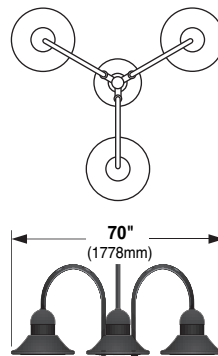
Die-cast aluminum double round luminaire mounting arms secured to pole with four stainless steel, Allen head set screws. Outer slip fitter for 3 1/2" tenon.



Double Cluster

### Triple

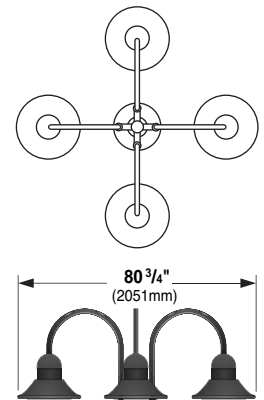
Die-cast aluminum triple round luminaire mounting arms secured to pole with four stainless steel, Allen head set screws. Outer slip fitter for 3 1/2" tenon.



Triple Cluster

### Quad

Die-cast aluminum quadruple round luminaire mounting arms secured to pole with four stainless steel, Allen head set screws. Outer slip fitter for 3 1/2" tenon.



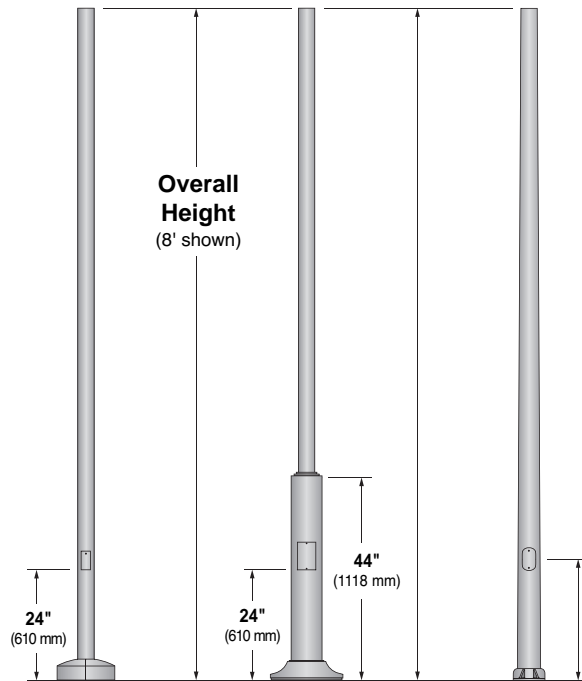
Quadruple Cluster

## Pole Information

Refer to A35, S635, or S35 Pole specification sheets for construction details, anchorage information and additional options.

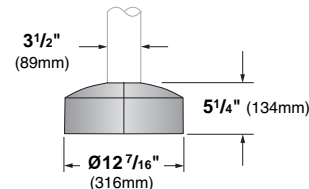
**A35 & S35**  
Round Straight Aluminum  
& Round Straight Steel Poles

**S635**  
Round Stepped  
Steel Pole

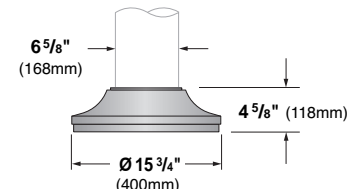


Shown with standard base covers.

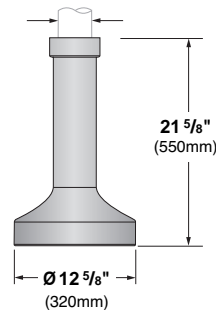
**Straight Poles (A35 & S35)**  
**BC5 Standard Base Cover**  
Two-piece cast aluminum



**Stepped Steel Pole (S635)**  
**BC6 Standard Base Cover**  
One-piece cast aluminum



**BC1 Optional Base Cover**  
**(A35 & S35)** One-piece cast aluminum



Pole Series	Bolt Circle	EPA Information (ft <sup>2</sup> )					Height	Finish	Options
		70 mph	80 mph	90 mph	100 mph	110 mph			
<b>S635</b> 3 1/2" Diameter Stepped Steel Pole	9"	57.6	44.3	34.6	27.5	22.8	8 8 ft.	<b>WH</b> White <b>BK</b> Black <b>BZ</b> Bronze <b>SV</b> Silver <b>SP</b> Specify Premium Color	<b>BC1</b> Decorative Cast Aluminum Base Cover (for A35 & S35 poles only)  <b>REC</b> GFCI Receptacle with weather-proof cover*  For Photocell option, see p.1  * Weatherproof cover intended for portable tools or other portable equipment connected to the outlet only when attended. For other requirements please consult factory.
<b>A35</b> 3 1/2" Diameter Straight Aluminum Pole	7 3/4"	16.1	12.2	9.4	7.3	5.9			
<b>S35</b> 3 1/2" Diameter Straight Steel Pole	7 3/4"	14.8	11.3	8.6	6.7	5.4			
<b>S635</b> 3 1/2" Diameter Stepped Steel Pole	9"	45.6	35.0	27.3	21.6	17.8	10 10 ft.		
<b>A35</b> 3 1/2" Diameter Straight Aluminum Pole	7 3/4"	12.4	9.3	7.1	5.4	4.3			
<b>S35</b> 3 1/2" Diameter Straight Steel Pole	7 3/4"	11.4	8.6	6.5	4.9	3.9			
<b>S635</b> 3 1/2" Diameter Stepped Steel Pole	9"	37.6	28.7	22.3	17.5	14.4	12 12 ft.		
<b>A35</b> 3 1/2" Diameter Straight Aluminum Pole	7 3/4"	9.9	7.3	5.4	4.0	3.1			
<b>S35</b> 3 1/2" Diameter Straight Steel Pole	7 3/4"	9.1	6.7	4.9	3.6	2.8			
<b>S635</b> 3 1/2" Diameter Stepped Steel Pole	9"	31.7	24.2	18.6	14.6	11.9	14 14 ft.		
<b>A35</b> 3 1/2" Diameter Straight Aluminum Pole	7 3/4"	8.0	5.8	4.2	3.0	2.2			
<b>S35</b> 3 1/2" Diameter Straight Steel Pole	7 3/4"	7.3	5.3	3.8	2.7	1.9			
<b>S635</b> 3 1/2" Diameter Stepped Steel Pole	9"	21.7	15.8	12.3	9.6	7.6	16 16 ft.		
<b>A35</b> 3 1/2" Diameter Straight Aluminum Pole	7 3/4"	4.9	3.2	2.2	1.4	0.8			
<b>S35</b> 3 1/2" Diameter Straight Steel Pole	7 3/4"	4.4	2.8	1.9	1.2	0.6			

Other pole configurations available, consult factory.

EPA Calculations allow for 1.3 Gust Factor

Effective Projected Area of Single Luminaire = 1.38 ft<sup>2</sup> (0.13m<sup>2</sup>) / Weight of Luminaire = 27.5 lbs (12.5kg) (Includes Mounting Arm)  
 Effective Projected Area of Double Luminaire = 3.72 ft<sup>2</sup> (0.35m<sup>2</sup>) / Weight of Double Luminaire (includes arms) = 81.0 lbs (36.7kg)