

Beta Lantern

selux



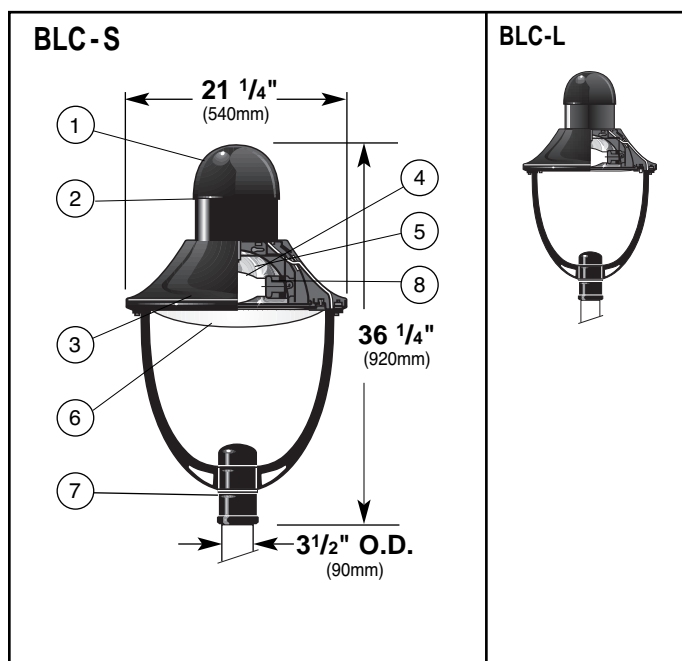
Project: _____

Type: _____ **Qty:** _____

Series Optics Reflector Mounting Lamping Finish Voltage Options

Pole Series Height Finish Pole Options

Series	Optics	Reflector	Mounting	Lamping		Finish	Voltage	Options
BLC Beta Lantern	L Flat Glass Lens	R2 Type II Aluminum Reflector	1 Single	Metal Halide	HPS	WH White	120	HS House Side Shield
	S Sagged Glass Lens	R3 Type III Aluminum Reflector	2 Double	H050 ¹ 50w	S050 ¹ 50w	BK Black	208	QR Quartz Restrike (40w Max)
		R5 Type V Aluminum Reflector	W Wall Mount	H070 70w	S070 70w	BZ Bronze	240	FS ¹ Single Fusing
				H100 100w	S100 100w	SV Silver	277	PCT Photocell Tenon
				H150 150w	S150 ² 150w	SP Specify Premium Color	347	
						¹ Not available for 347V ² Only for 55v lamp		



1. Fixture Cap - Decorative aluminum fixture cap removable for ballast access.

2. Gasketing - Continuous molded gaskets provide weather-proofing, dust, and insect control.

3. Fixture Hood - Decorative aluminum shade with hinged door for lamp access (no special tools required).

4. Lamp - One clear, ED-17 metal halide or high pressure sodium up to 150w. Horizontal lamp for R2 and R3 reflectors; base-up vertical lamp for R5 reflector. Lamp provided by others.

5. Reflector - Precision formed aluminum reflector available with a Type II, III, or V distribution.

6. Shielding - Specify tempered flat glass lens (L), or tempered sagged glass lens (S). Lenses are secured using a captive ring and are easily removable for access to lamp (no special tools required). Version with tempered Glass Lens (BLC-L) is IDA-Approved™ dark sky friendly.

7. Pole Fitter - Cast aluminum fitter secures to pole with 3 stainless steel Allen head set screws. For 3 1/2" (90mm) pole tenon.

8. Socket - 4KV Pulse rated porcelain medium base socket pre-wired to ballast at factory.

9. Ballast - (Not shown) A high efficiency, pulse start, core and coil ballast regulates voltage for H.I.D. lamp. Consult factory for detailed ballast information.

Selux utilizes a high quality Polyester Powder Coating. All Selux luminaires and poles are finished in our Tiger Drylac certified facility and undergo a five stage intensive pretreatment process where product is thoroughly cleaned, phosphated and sealed. Selux powder coated products provide excellent salt and humidity resistance as well as ultra violet resistance for color retention. All products are tested in accordance with test specifications for coatings from ASTM and PCI.

Standard exterior colors are White (WH), Black (BK), Bronze (BZ), and Silver (SV). Selux premium colors (SP) are available, please specify from your Selux color selection guide. Hot Dip Galvanized finish (GV) on all steel parts also available.

Exterior Luminaire Finish -

Selux Corp. © 2013
 TEL (845) 834-1400
 FAX (845) 834-1401
 www.selux.us
 BL-0813-01 (ss-v7.0)

NRTL Listed (i.e. UL, CSA)

Union Made Affiliated
 with IBEW Local 363



In a continuing effort to offer the best product possible, we reserve the right to change, without notice, specifications or materials that in our opinion will not alter the function of the product. Specification sheets found at www.selux.us are the most recent versions and supersede all other printed or electronic versions.

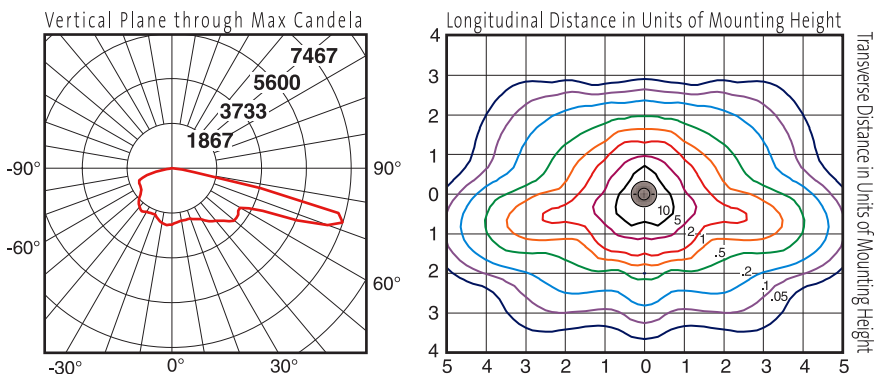
Photometry

Closed Version / Tempered Flat Glass Lens / R2 Reflector / 150w MH

Catalog # BLC-L-R2-1-H150
Report # SX-9559-A2

- Precision formed aluminum reflector with specular "kick" reflectors to precisely control distribution.
- Ideal for applications demanding max. spacing.
- Maximum candela of 7467 at 72.5° from vertical.
- IES classification - Type II Full Cutoff.
- IDA-Approved™ dark sky friendly.

DOWNLOAD IES FILE:
http://www.selux.us/fileadmin/us/exterior/ies_file/BL_IES.zip

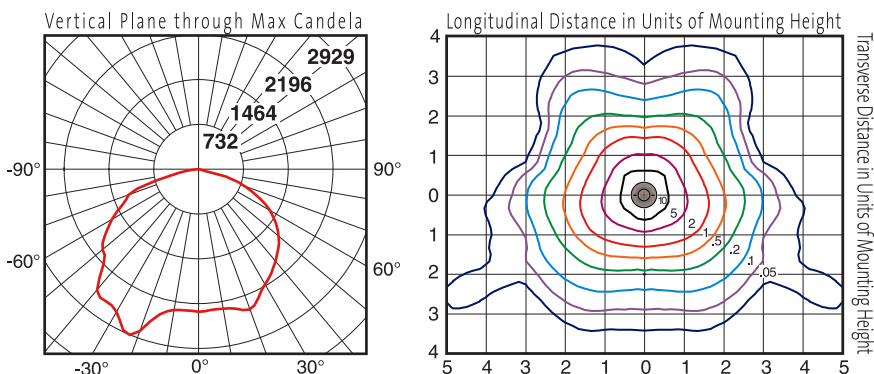


Closed Version / Tempered Flat Glass Lens / R3 Reflector / 150w MH

Catalog # BLC-L-R3-1-H150
Report # LSI-13535

- Precision formed aluminum reflector with specular "kick" reflectors to precisely control distribution.
- Ideal for applications demanding max. spacing.
- Maximum candela of 2929 at -22.5° from vertical.
- IES classification - Type II Full Cutoff.
- IDA-Approved™ dark sky friendly.

DOWNLOAD IES FILE:
http://www.selux.us/fileadmin/us/exterior/ies_file/BL_IES.zip

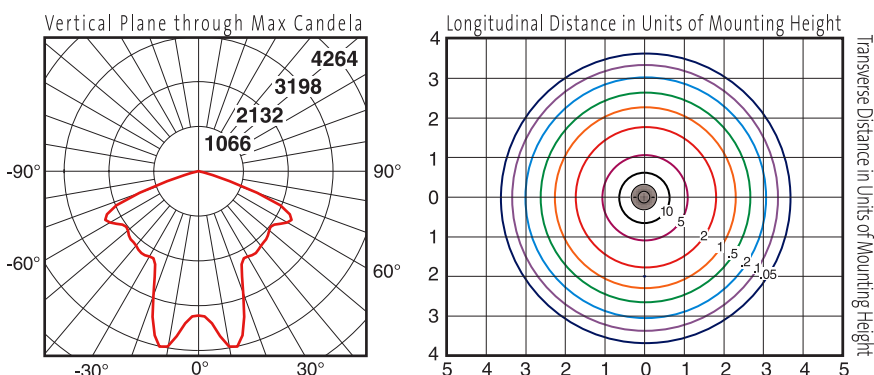


Closed Version / Tempered Flat Glass Lens / R5 Reflector / 150w MH

Catalog # BLC-L-R5-1-H150
Report # LSI-13593

- Precision formed aluminum reflector with vertical, base-up lamp.
- Ideal for applications demanding a uniform symmetric light distribution.
- Maximum candela of 4264 at 12.5° and -12.5° from vertical.
- IES classification - Type V Full Cutoff.
- IDA-Approved™ dark sky friendly.

DOWNLOAD IES FILE:
http://www.selux.us/fileadmin/us/exterior/ies_file/BL_IES.zip



HID Lamp Prorate Table (ED-17 Clear, Medium-Base Lamp)					
High Pressure Sodium			Metal Halide		
Wattage	Factor	Initial Lumens	Wattage	Factor	Initial Lumens
50	0.28	4000	50	0.24	3400
70	0.45	6400	70	0.39	5500
100	0.67	9500	100	0.64	9000
150	1.02	14400	150	1.00	14000

Conversion Chart	
Values based on 12' mounting height.	
Mounting Height	Multiply
8'	1.22
10'	1.10
12'	1.00
14'	0.93
16'	0.87

Mounting

Single

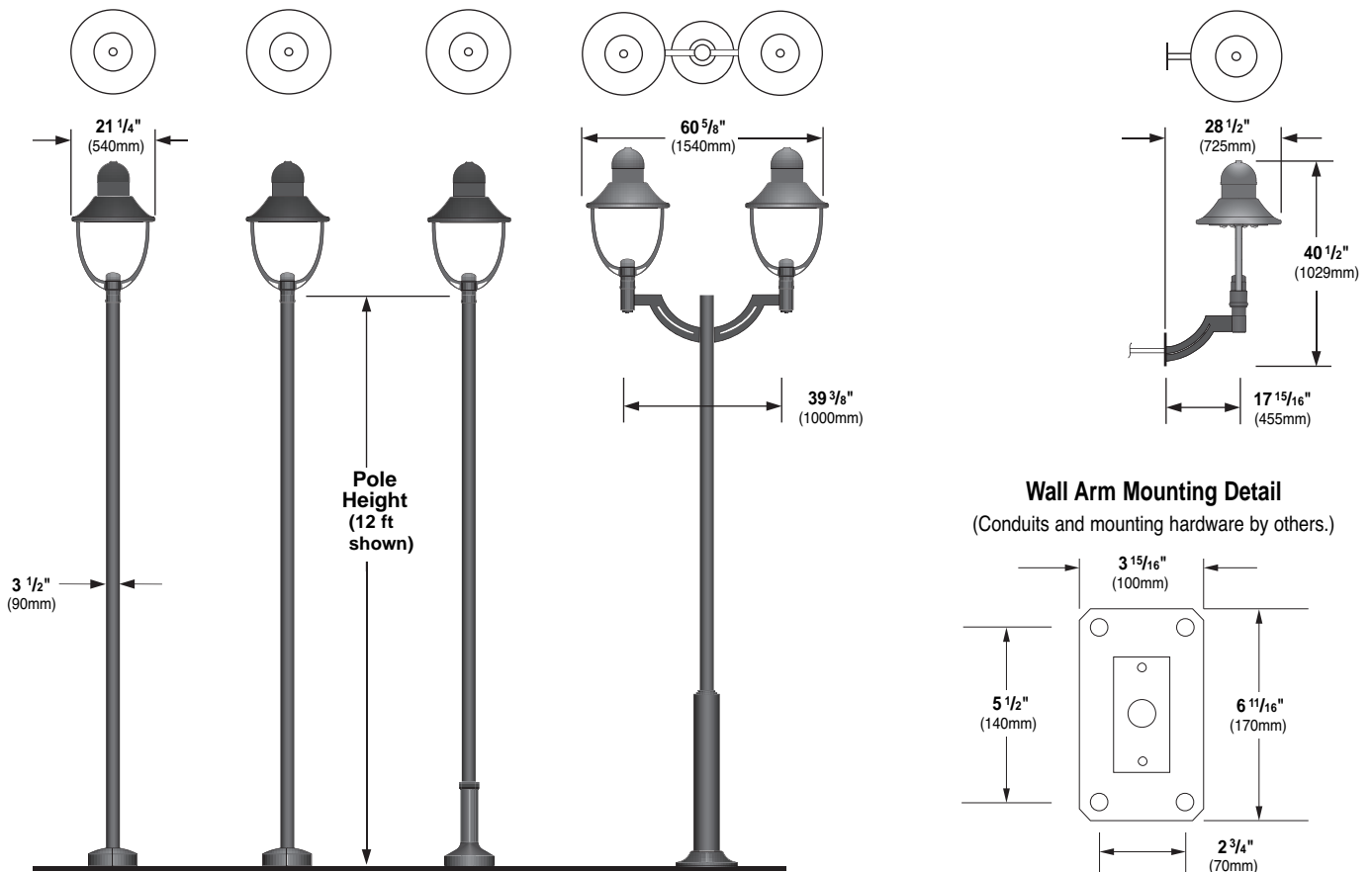
Die-cast aluminum fitter base secured to pole with three, stainless steel, Allen head set screws.

Double

Die-cast aluminum double luminaire mounting arm for pole mounted fixtures. Secured to pole with (4) stainless steel Allen head bolts.

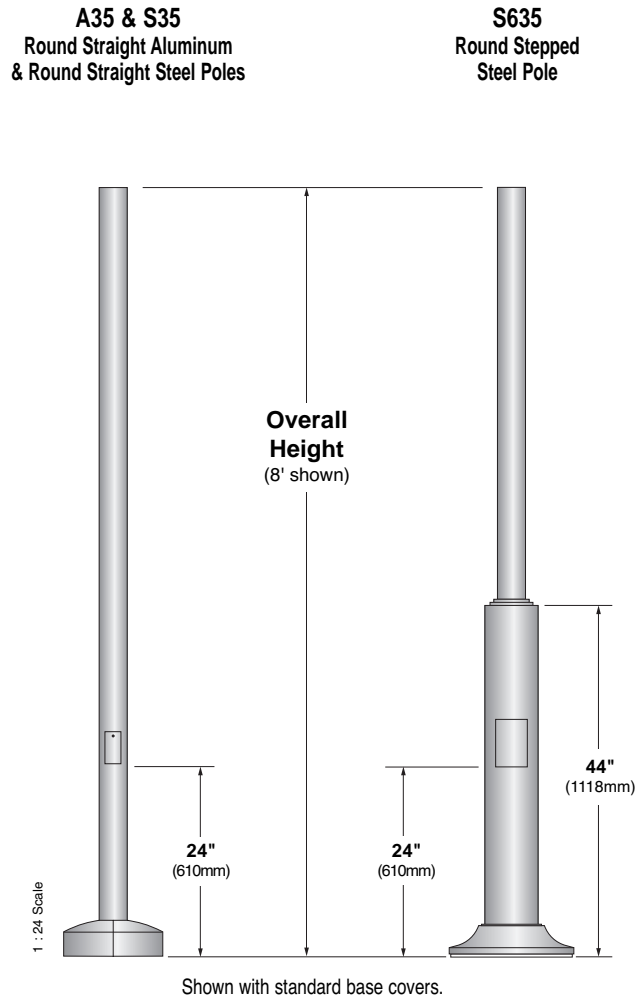
Wall

Die-cast aluminum wall mount arm. Secured to wall with 1/4" diameter threaded fasteners (by others).



Pole Information

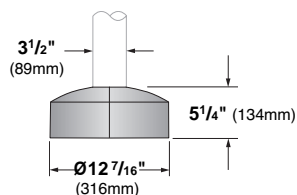
Refer to A35, S635, or S35 Pole specification sheets for construction details, anchorage information and additional options.



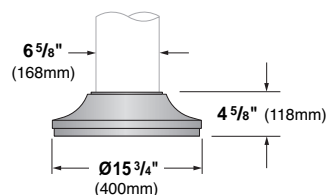
Base Cover Information

Refer to A35, S635, or S35 Pole specification sheets for construction details, anchorage information and additional options.

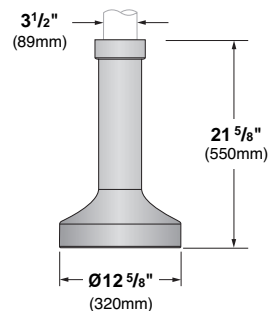
Straight Poles (A35 & S35)
BC5 Standard Base Cover
Two-piece cast aluminum



Stepped Steel Pole (S635)
BC6 Standard Base Cover
One-piece cast aluminum



BC1 Optional Base Cover
(A35 & S35) One-piece cast aluminum



Pole Data Chart

Pole Series	Bolt Circle	EPA Information (ft ²)					Height	Finish	Options					
		70 mph	80 mph	90 mph	100 mph	110 mph								
S635 3 1/2" Diameter Stepped Steel Pole	Ø9"	57.6	44.3	34.6	27.5	22.8	8 8 ft.	WH White BK Black BZ Bronze SV Silver SP Specify Premium Color	BC1 Decorative Cast Aluminum Base Cover (for A35 & S35 poles only)					
A35 3 1/2" Diameter Straight Aluminum Pole	Ø7 3/4"	16.1	12.2	9.4	7.3	5.9								
S35 3 1/2" Diameter Straight Steel Pole	Ø7 3/4"	14.8	11.3	8.6	6.7	5.4								
S635 3 1/2" Diameter Stepped Steel Pole	Ø9"	45.6	35.0	27.3	21.6	17.8	10 10 ft.			REC GFCI Receptacle with weather-proof cover ¹				
A35 3 1/2" Diameter Straight Aluminum Pole	Ø7 3/4"	12.4	9.3	7.1	5.4	4.3								
S35 3 1/2" Diameter Straight Steel Pole	Ø7 3/4"	11.4	8.6	6.5	4.9	3.9								
S635 3 1/2" Diameter Stepped Steel Pole	Ø9"	37.6	28.7	22.3	17.5	14.4	12 12 ft.				For Photocell Tenon option, see p.1 ¹ Weatherproof cover intended for portable tools or other portable equipment connected to the outlet only when attended. For other requirements please consult factory.			
A35 3 1/2" Diameter Straight Aluminum Pole	Ø7 3/4"	9.9	7.3	5.4	4.0	3.1								
S35 3 1/2" Diameter Straight Steel Pole	Ø7 3/4"	9.1	6.7	4.9	3.6	2.8								
S635 3 1/2" Diameter Stepped Steel Pole	Ø9"	31.7	24.2	18.6	14.6	11.9	14 14 ft.							
A35 3 1/2" Diameter Straight Aluminum Pole	Ø7 3/4"	8.0	5.8	4.2	3.0	2.2								
S35 3 1/2" Diameter Straight Steel Pole	Ø7 3/4"	7.3	5.3	3.8	2.7	1.9								
S635 3 1/2" Diameter Stepped Steel Pole	Ø9"	21.7	15.8	12.3	9.6	7.6	16 16 ft.							
A35 3 1/2" Diameter Straight Aluminum Pole	Ø7 3/4"	4.9	3.2	2.2	1.4	0.8								
S35 3 1/2" Diameter Straight Steel Pole	Ø7 3/4"	4.4	2.8	1.9	1.2	0.6								

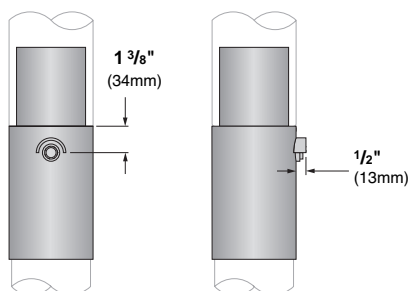
¹ Other pole configurations available, consult factory.

Effective Projected Area of Single Luminaire = 0.92 ft² (0.09m²) / Weight of Luminaire = 35.0 lbs (15.9kg)

Effective Projected Area of Double Luminaire = 2.37 ft² (0.22m²) / Weight of Double Luminaire (includes arms) = 94.0 lbs (42.6kg)

Optional Accessories

Photo Cell Tenon (PCT) - Button type photocell mounted in cast aluminum pole top tenon. Tenon has integral cast visor to prevent false start/stop cycle and can be oriented for optimum performance. Refer to fixture spec sheet to determine if this option is applicable.



GFCI Receptacle (REC) - GFCI duplex receptacle with cast base bolted to pole and gasketed, provided with weather-proof, self-closing cover; located 36" (915mm) from base of pole, inline with handhole. Receptacle is intended only for portable tools or other portable equipment to be connected to outlet only when attended by operating personnel.

