



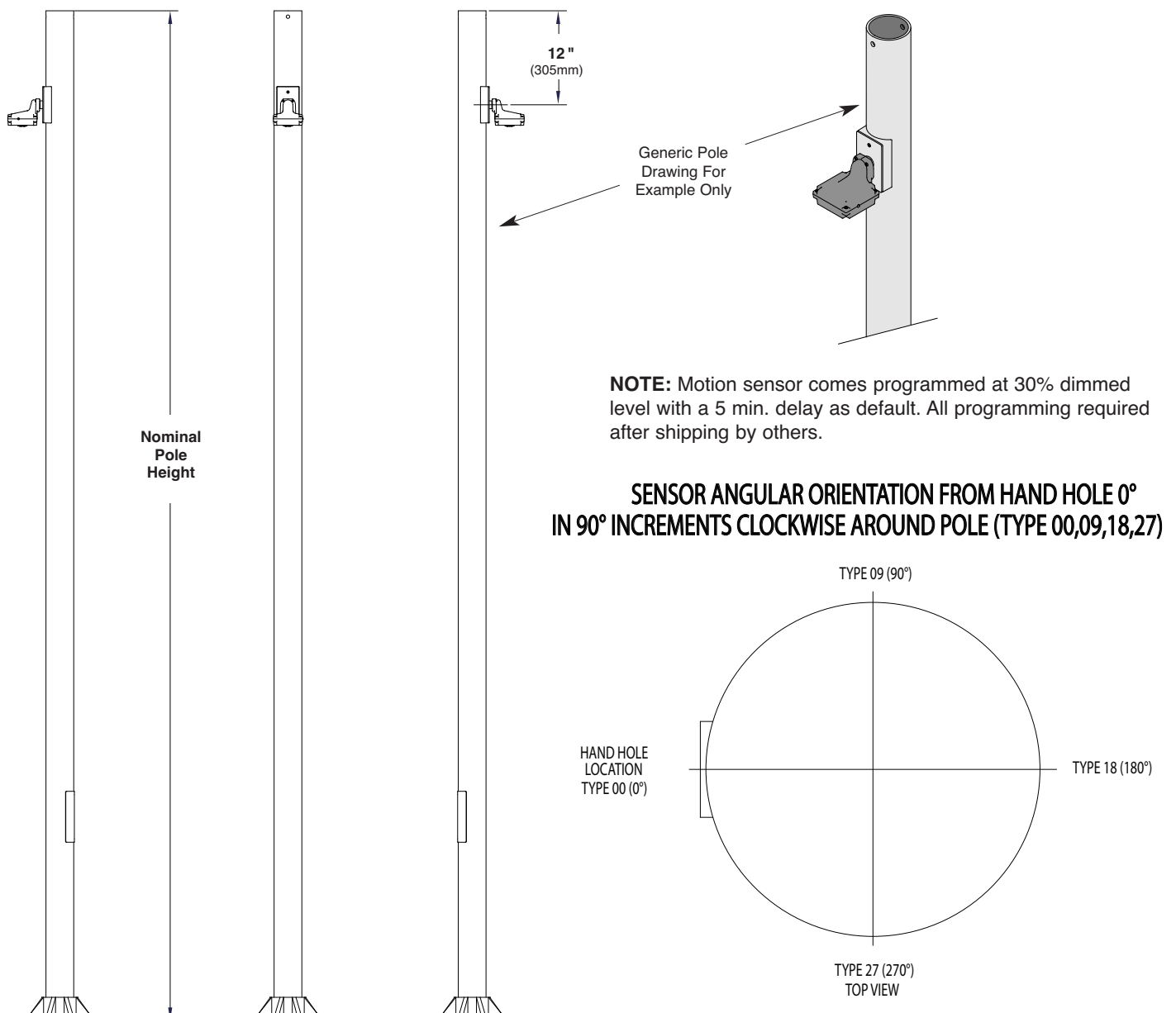
# Avanza 600



## Motion Sensor Features

The Selux outdoor rated sensor incorporates Passive Infrared (PIR) technology for motion sensing and also includes a built in photocell. Designed to mount directly through a 1/2" KO in a single gang faceplate on pole/column, the SBO utilizes 100% Digital Passive Infrared (PIR) technology that is tuned for walking size while preventing false tripping from the environment.

Series	Optics	Hand Hole Orientation	Program	Color	Photocell Feature	Voltage
MS Motion Sensor	1 270° coverage - Single Sensor	00	D0 0V=0%	WH White	Y Yes	UNV 347 480
		09	D1 1V=10%	BK Black	N No	
		18	D3 3V=30%	BZ Bronze		
		27	D5 5V=50%			
		Goes from dim level to full bright upon motion				



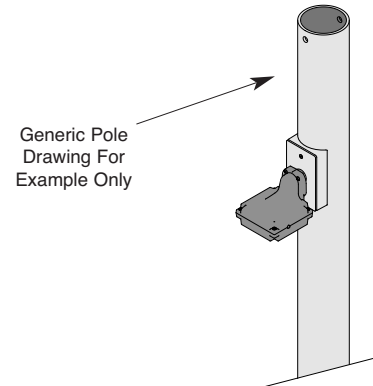
# Avanza 600



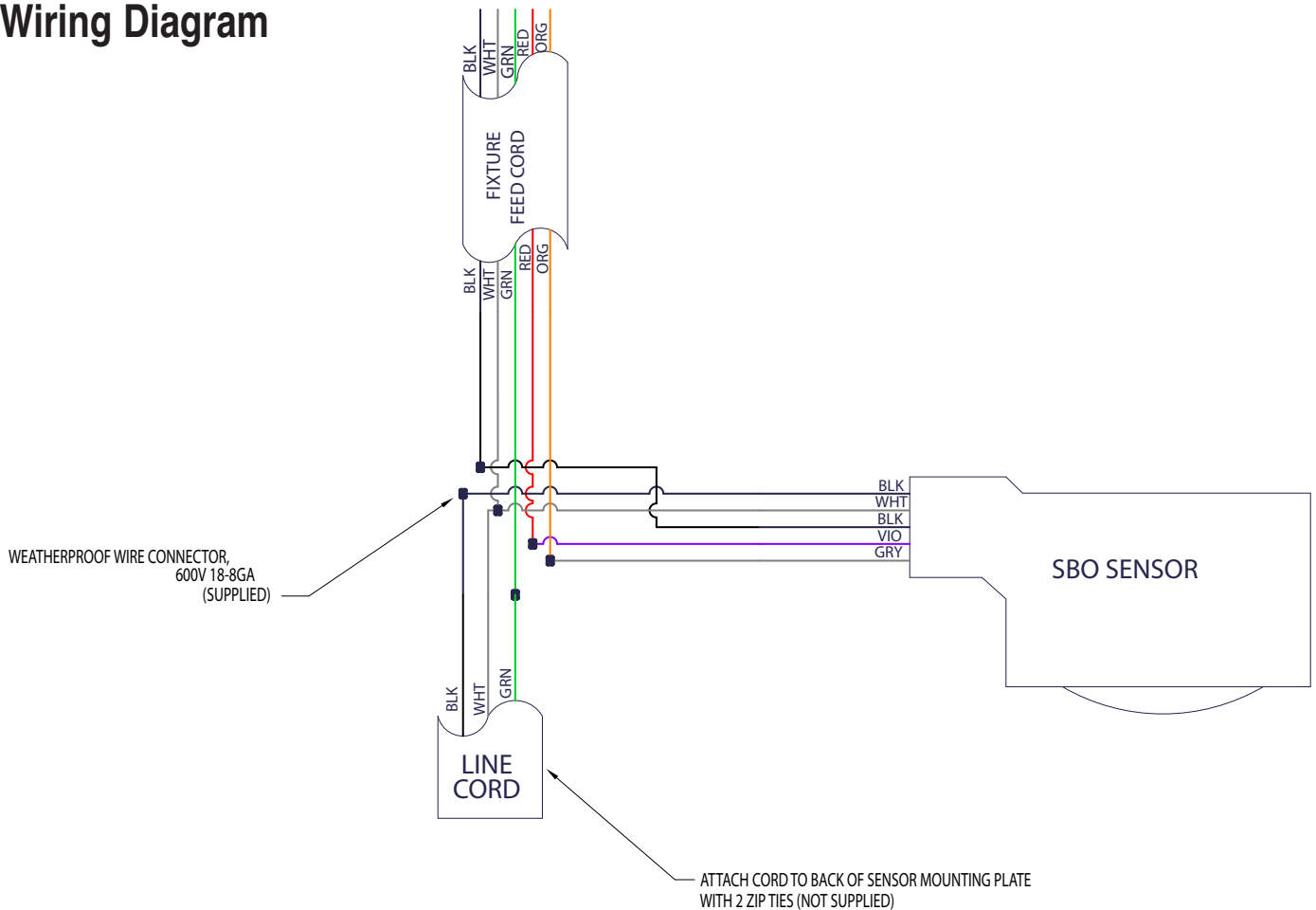
## Motion Sensor Features

### Features

- 100% Digital PIR Detection, excellent RF Immunity
- 270° coverage pattern
- Up to 30ft mounting
- IP66 Rated for outdoor applications
- Built-in 1kV surge protection
- No minimum load requirements
- Made for LED light source
- Interchangeable hot and load wires - impossible to wire backwards
- Adjustable time delays, max/min dim levels and ramp rates
- Programming button accessible without opening sensor or removing gaskets
- No field calibration or sensitivity adjustments required
- Non-volatile setting memory
- Convenient test mode
- Suitable for Title 24 applications



## Wiring Diagram

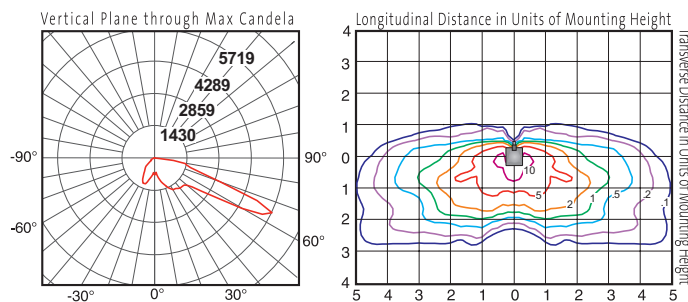


## Photometry

**R3W Optics / 1050 mA / 4000K CCT**  
**Catalog # AV6-S1-0°-L105-R3W-40-120**  
**Report # LM-63-1995**

- Ideal for applications requiring linear distributions.
- Maximum candela of 5719 at 62.5° from vertical.
- IES classification = Type III Wide
- 7695 Delivered Lumens with 72 lm/W
- IDA-Approved™ dark sky friendly.
- BUG Rating: B1-U0-G2

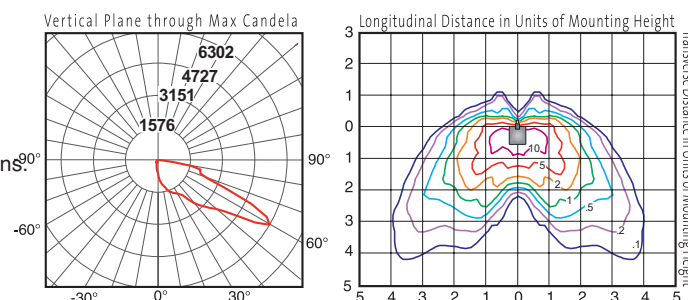
[http://www.selux.us/fileadmin/us/photometry/Exterior/Architectural\\_Post\\_Top/Avanza\\_600.zip](http://www.selux.us/fileadmin/us/photometry/Exterior/Architectural_Post_Top/Avanza_600.zip)



**R3N Optics / 1050 mA / 4000K CCT**  
**Catalog # AV6-S1-0°-L105-R3N-40-120**  
**Report # LM-63-1995**

- Ideal for applications requiring asymmetrical forward-throw distributions.
- Maximum candela of 6302 at 57.5° from vertical.
- IES classification = Type III Narrow
- 7694 Delivered Lumens with 72 lm/W
- IDA-Approved™ dark sky friendly
- BUG Rating: B1-U0-G2

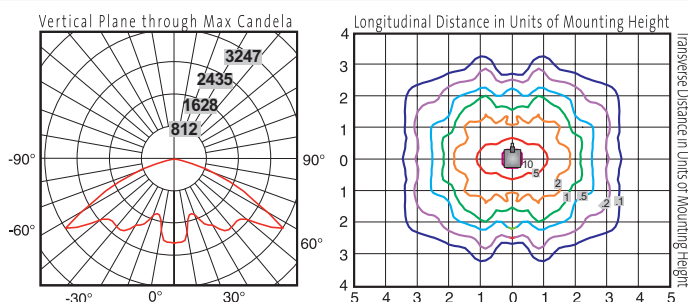
[http://www.selux.us/fileadmin/us/photometry/Exterior/Architectural\\_Post\\_Top/Avanza\\_600.zip](http://www.selux.us/fileadmin/us/photometry/Exterior/Architectural_Post_Top/Avanza_600.zip)



**R5 Optics / 1050 mA / 4000K CCT**  
**Catalog # AV6-S1-0°-L105-R5-40-120**  
**Report # LM-63-1995**

- Ideal for applications requiring symmetrical distributions.
- Maximum candela of 3247 at 57.5° from vertical.
- IES classification - Type V
- 7736 Delivered Lumens with 72 lm/W
- IDA-Approved™ dark sky friendly.
- BUG Rating: B3-U0-G3

[http://www.selux.us/fileadmin/us/photometry/Exterior/Architectural\\_Post\\_Top/Avanza\\_600.zip](http://www.selux.us/fileadmin/us/photometry/Exterior/Architectural_Post_Top/Avanza_600.zip)



Conversion Chart	
Values based on 16' (4.9 m) mounting height.	
Mounting Height	Multiply
10' (3.0 m)	1.27
12' (3.7 m)	1.16
14' (4.3 m)	1.07
16' (4.9 m)	1.00
18' (5.5 m)	0.84

### LED Information

(Based on R5 Optics)

	Neutral White (4000K)		Warm White (3000K)	
	L105	L700	L105	L700
<b>Performance</b>				
Delivered Lumens	7736	4953	6452	4131
Wattage	107	72	107	72
Delivered Lumens per Watt	72	69	61	58
<b>Photometric Performance</b>				
Optics	Lenses		Lenses	
Distribution	Type V		Type V	
Dark Sky / Full-Cutoff	Yes		Yes	
<b>LED Specifications</b>				
# of Emitters	32		32	
Color Temperature (CCT)	4000K		3000K	
CCT Tolerance (by LED manufacturers)	± 7%		± 7%	
CRI	>80		>80	

# Avanza 600

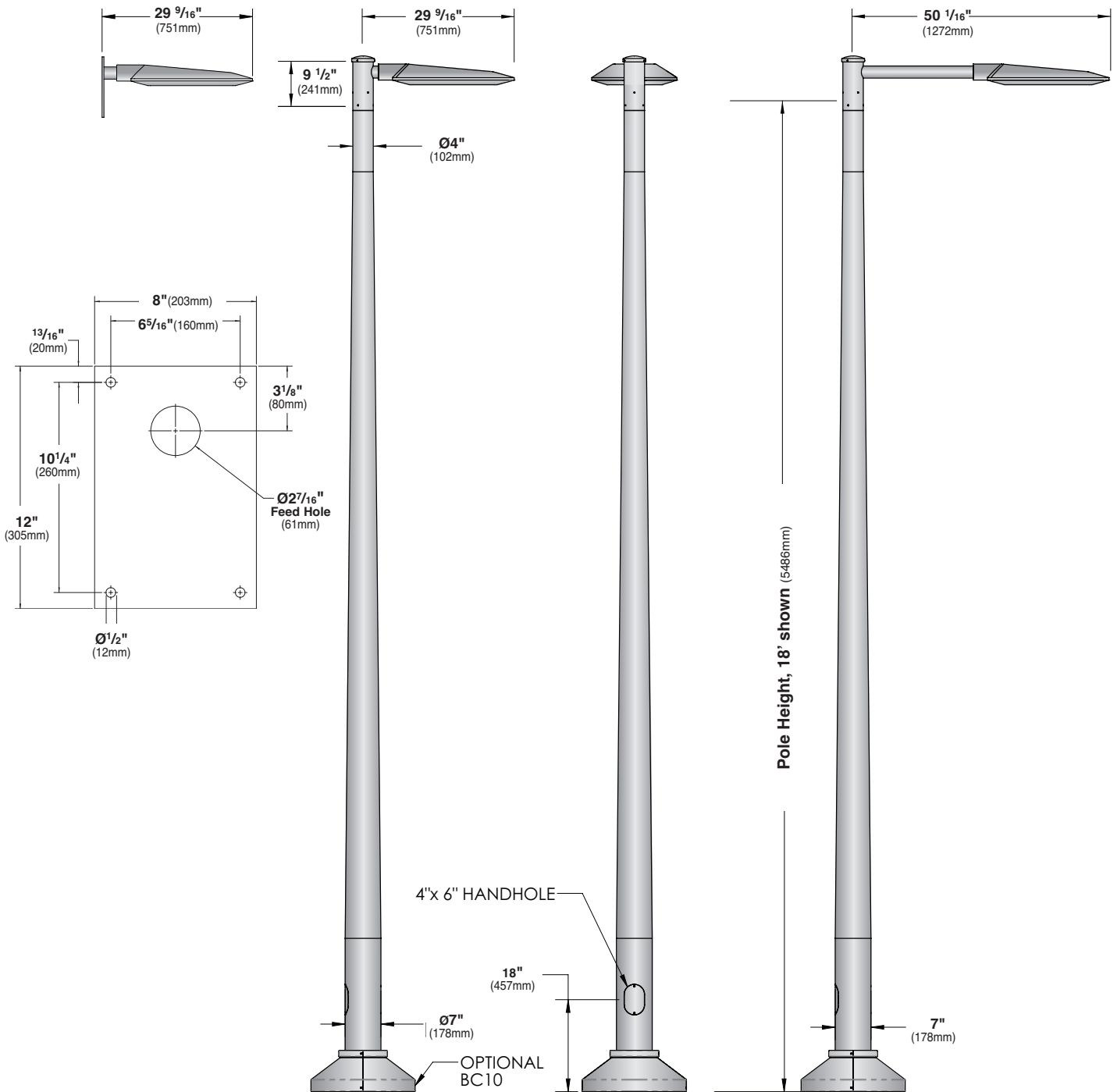
**selux**

## Single Arm Mounting

**SW Short Arm Wall Mount**  
 EPA= 0.6 ft<sup>2</sup> (0.06m<sup>2</sup>)  
 Weight= 21.6 lbs. (9.8kg)

**S1 Single Short Arm**  
 EPA= 0.8 ft<sup>2</sup> (0.07m<sup>2</sup>)  
 Weight= 21.6 lbs. (11.8kg)

**L1 Single Long Arm**  
 EPA= 1.2 ft<sup>2</sup> (0.11m<sup>2</sup>)  
 Weight= 33.2 lbs. (15.1kg)



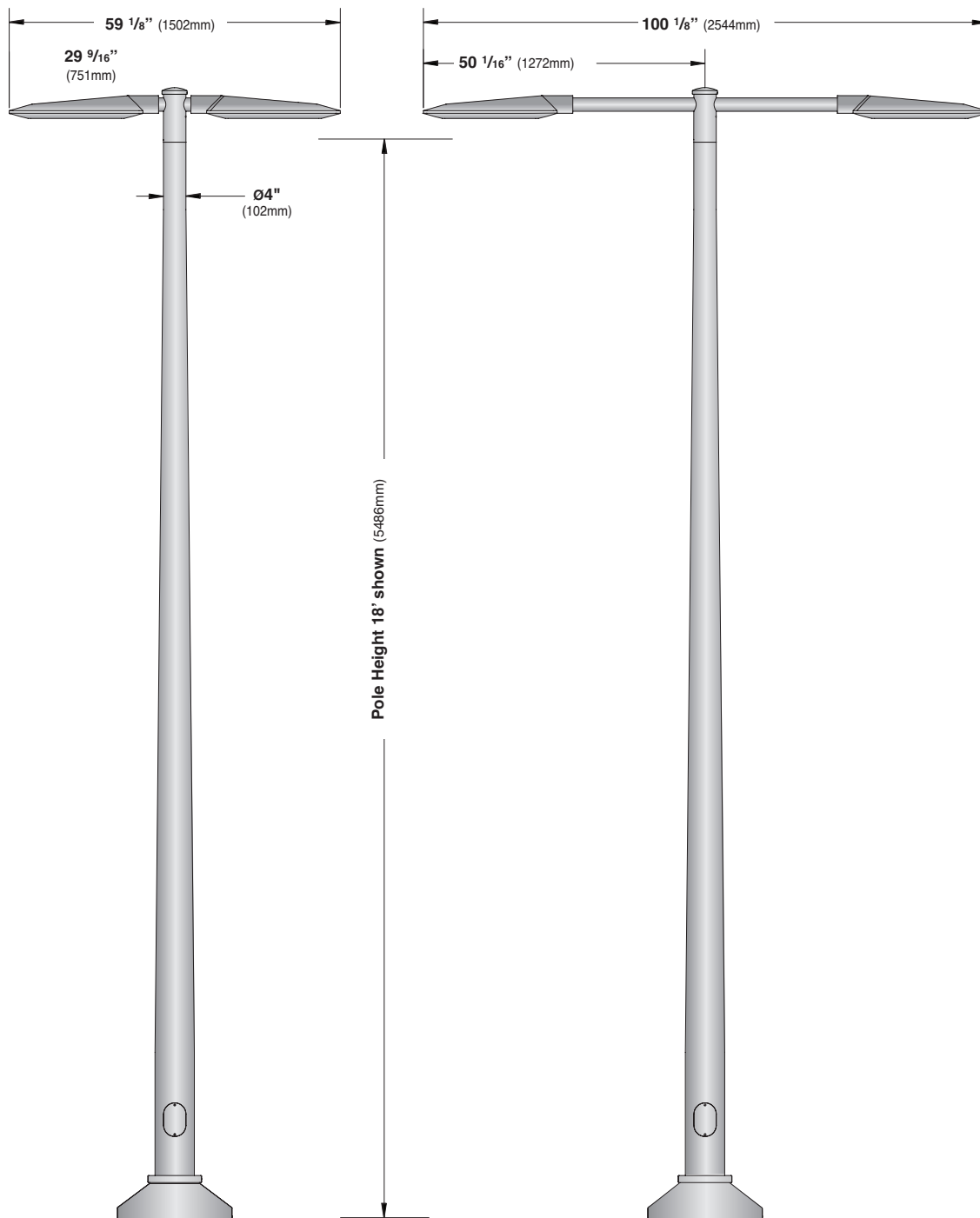
# Avanza 600

**selux**

## Double Arm Mounting

**S2 Double Short Arm**  
EPA= 1.7 ft<sup>2</sup> (0.16m<sup>2</sup>)  
Weight= 52 lbs. (23.6kg)

**L2 Double Long Arm**  
EPA= 2.5 ft<sup>2</sup> (0.23m<sup>2</sup>)  
Weight= 69.7 lbs. (31.7kg)

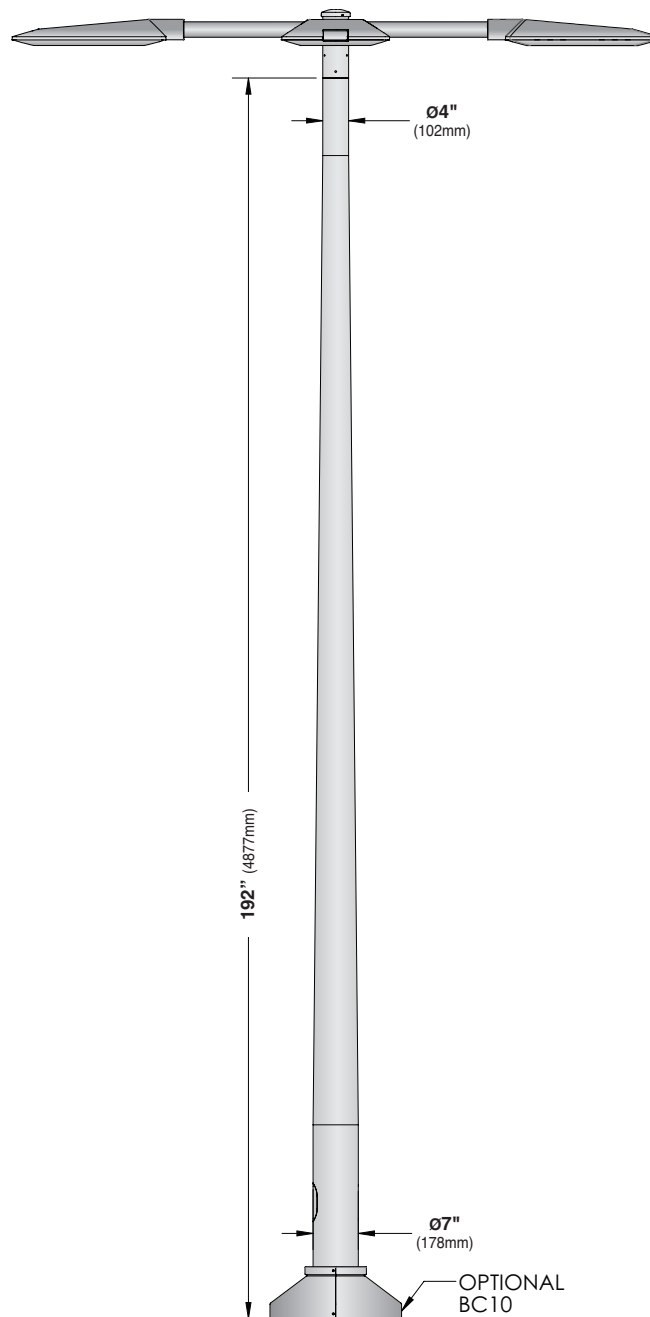


# Avanza 600

**selux**

## Quad Long Arm Mounting

**L4 Quad Long Arm**  
EPA= 1.25 ft<sup>2</sup> (.116 m<sup>2</sup>)  
Weight= 14.8 lbs. (6.713kg)

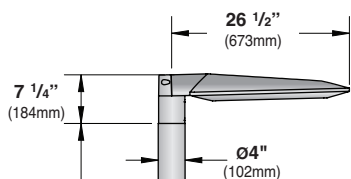


## Single Pole Adapter

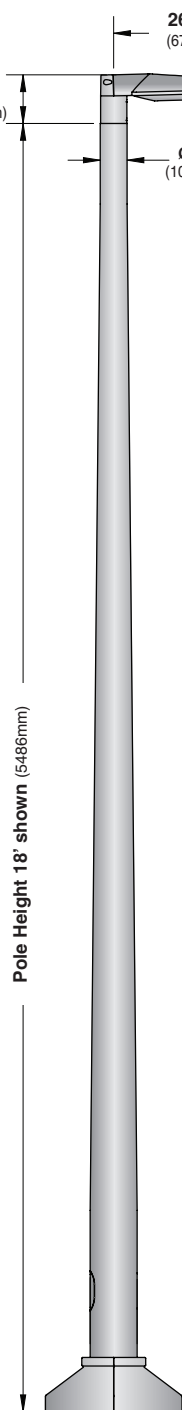
**SA Single Pole Adapter**  
(Not available at 0°)

EPA= 0.9 ft<sup>2</sup> (0.08m<sup>2</sup>)

Weight= 23.1 lbs. (10.5kg)



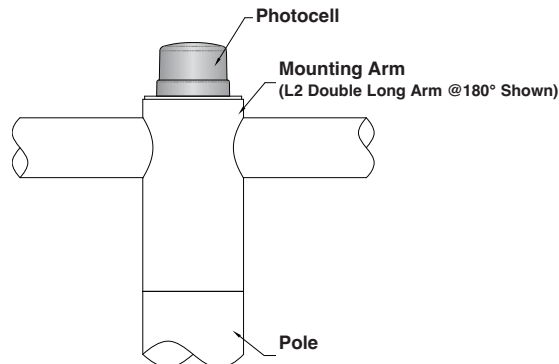
Pole Height 18' shown (5486mm)



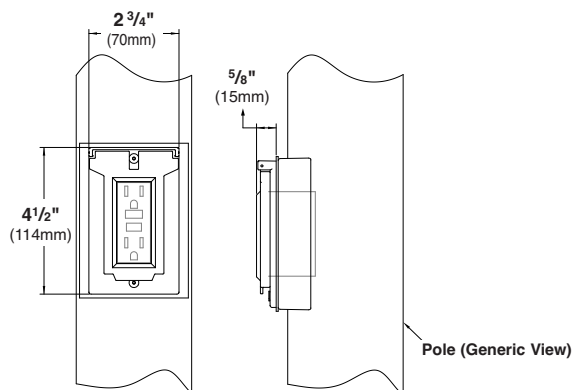
## Option Details

### Photocell (PC) Detail

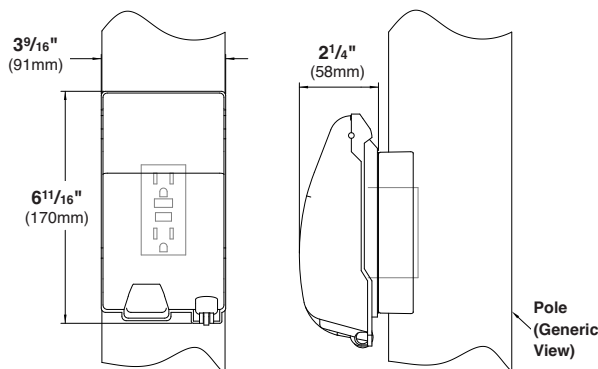
Note: Photocell is available for all pole and arm mounting configurations except Single Pole Adapter (SA) and Wall Mount (SW). Available in 120V through 277V. For 347V, please consult factory.



**GFCI Receptacle (REC)** - 120V 15A GFCI duplex receptacle with cast base bolted to pole and gasketed, provided with weather-proof, self-closing cover; located 36" (915mm) from base of pole, inline with handhole. Receptacle is intended only for portable tools or other portable equipment to be connected to outlet only when attended by operating personnel.



**GFCI Receptacle (REC2)** - 120V 15A GFCI duplex receptacle with cast base welded to pole and gasketed, provided with weather-proof, self-closing lockable cover; located 36" (915mm) from base of pole, inline with handhole. Receptacle is intended only for portable tools or other portable equipment to be connected to outlet only when attended by operating personnel. For use with 120V applications only.



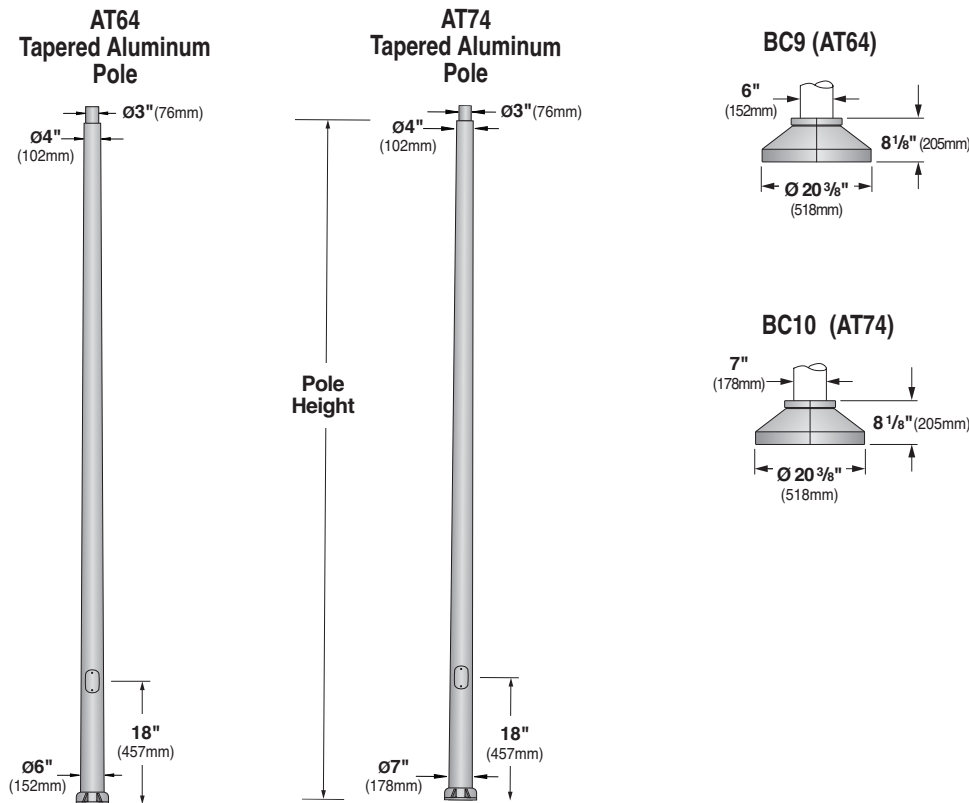


## Pole Information

Refer to AT64/AT74 Pole specification sheets for construction details, anchorage information and additional options.

### Optional Base Covers for Poles

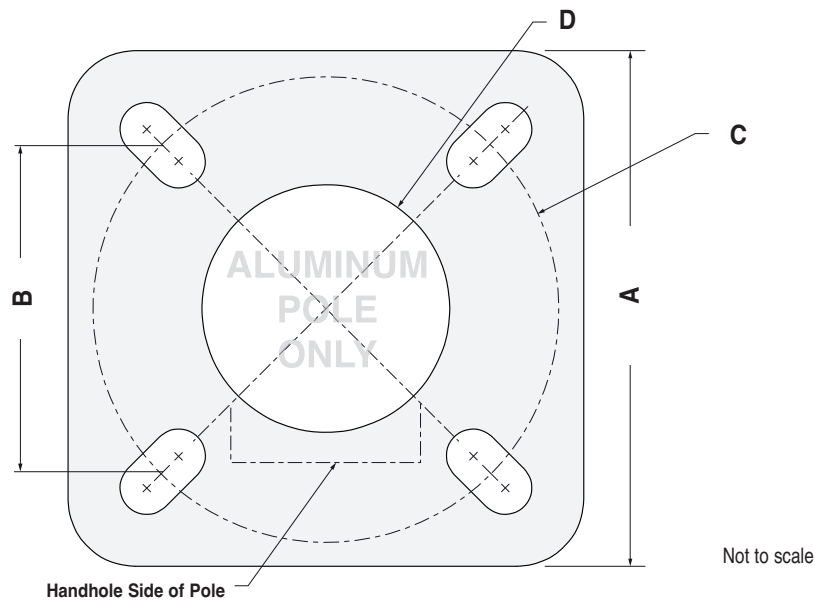
Die cast aluminum, two-piece field installable base covers.



Pole Series	Bolt Circle	EPA Information (ft <sup>2</sup> )					Height	Finish	Options
		70 mph	80 mph	90 mph	100 mph	110 mph			
AT64 6" to 4" Tapered Aluminum Pole	9 1/2"	19.0	14.1	10.8	8.6	7.0	16 16 ft.	WH White	BC9 Die Cast Base Cover (AT64 pole only)
AT74 7" to 4" Tapered Aluminum Pole	10 9/16"	20.0	17.7	13.7	10.9	8.8	18 18 ft.	BK Black	BC10 Die Cast Base Cover (AT74 pole only)
AT74 7" to 4" Tapered Aluminum Pole	10 9/16"	20.0	14.9	11.4	9.0	7.3	20 20 ft.	BZ Bronze	REC GFCI Receptacle with weather-proof cover*
AT74 7" to 4" Tapered Aluminum Pole	10 9/16"	14.8	10.5	7.8	6.0	4.7	24 24 ft.	SV Silver	REC2 GFCI Receptacle with weather-proof in-use lockable cover*
								SP Specify Premium Color	MS Motion Sensor w/ optional Photocell (Meets Title 24 Requirements)
									T30 3" Tenon (required for Avanza)
For Photocell option, see p.1 * Weatherproof cover intended for portable tools or other portable equipment connected to the outlet only when attended. For other requirements please consult factory.									

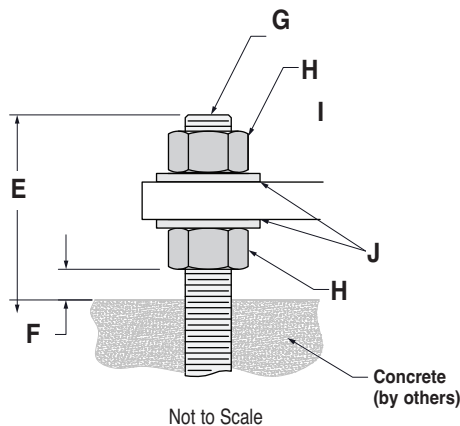
Allowable EPA Calculated according to AASHTO 1994 and include allowance for 1.3 gust factor. See Mounting Configuration Pages for fixture arm weight and EPA values.

## Pole Information



Aluminum Tapered Pole Bolt Circle Info	A Base Plate SQ	B Bolt Spacing SQ	C Bolt Circle	D Conduit Opening
<b>O-AT74-156</b> 7"-4" Tapered Alum Pole	11 1/4" (286mm)	7 1/2" (190mm)	10 9/16" (268mm)	6" (152mm)
<b>O-AT64</b> 6"-4" Tapered Alum Pole	10 5/16" (262mm)	6 3/4" (171mm)	9 1/2" (241mm)	5 1/2" (139mm)

### Anchor Bolt Detail



Use caution when setting anchor bolts. Bolts must be vertically straight and centered on dimension shown. Concrete footing and feed conduit to be designed and installed by others.

Individual 1:1 scale drawings for installation available, please consult factory.

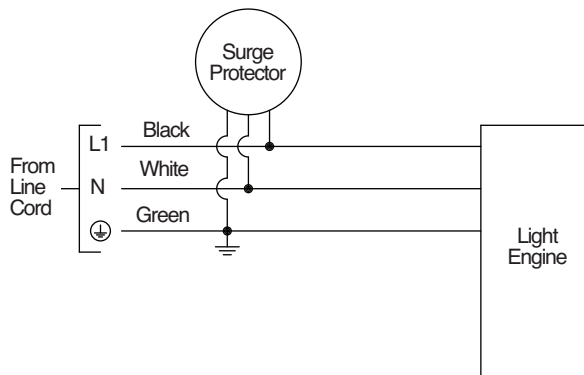
All Hardware is Galvanized

Aluminum Tapered Pole Anchor Info	E Bolt Projection	F For Leveling	G Anchor Bolt	H Heavy Hex Nut	J Flat Washer
<b>O-AT74-156</b> 7"-4" Tapered Alum Pole	4 1/8" (105mm)	1/2" (13mm)	1"-8 UNC x 36"	1"- 8 UNC	1" ID
<b>O-AT64</b> 6"-4" Tapered Alum Pole	3 1/2" (85mm)	1/2" (13mm)	3/4"-17" UNC x 17"	3/4"- 10 UNC	3/4" ID

## Wiring

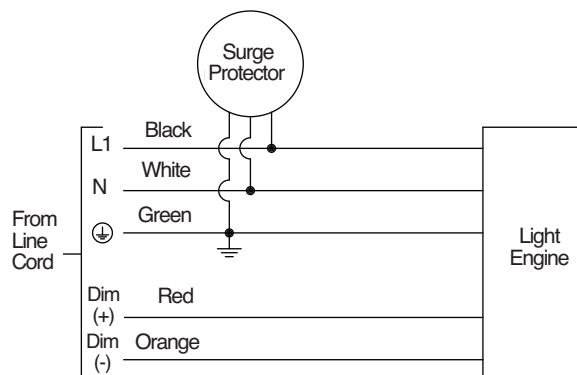
### Standard Wiring for 120-277V

Standard wiring for 120-277V with no additional options.



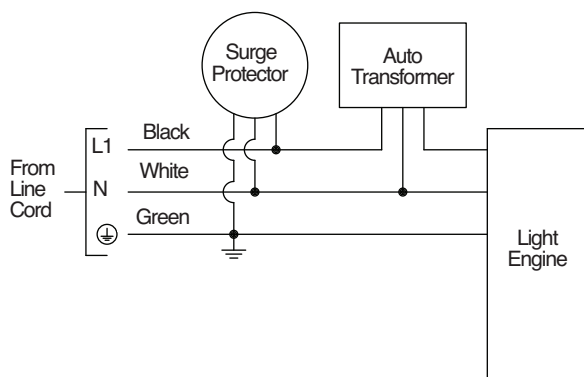
### 0-10V Dimming Option (DM) Wiring for 120-277V

100% light output at 10V, down to 10% light output at 1V or less.



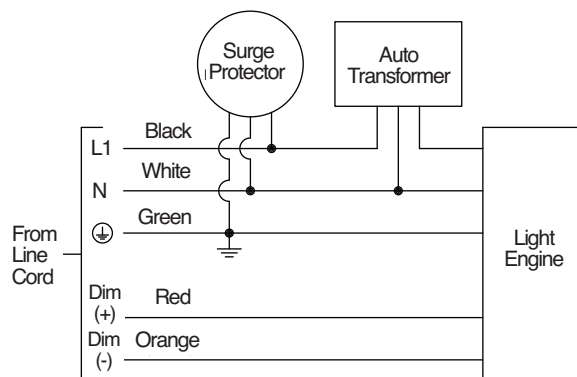
### Standard Wiring for 347/480V

Standard wiring for 347/480V with no additional options.



### 0-10V Dimming Option (DM) Wiring for 347/480V

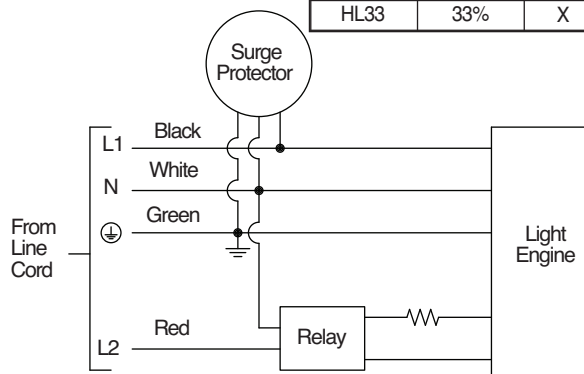
100% light output at 10V, down to 10% light output at 1V or less.



### Hi-Lo Switching Option (HLxx) Wiring

120/240/277V. When red is energized, light output will be at "Lo" level. Specify the "Lo" output level by selecting from the table below. For other percentage output levels, consult factory.

Standard Hi-Lo Options			
Hi-Lo Section	Low Output Level	Light Engine	
		L105	L700
HL70	70%	X	X
HL50	50%	X	X
HL33	33%	X	



### Photocell Wiring

Photocell is available for all configurations except short arm wall mount (SW), single pole adapter (SA). Available in 120V through 277V. For 347V, please consult factory.

