



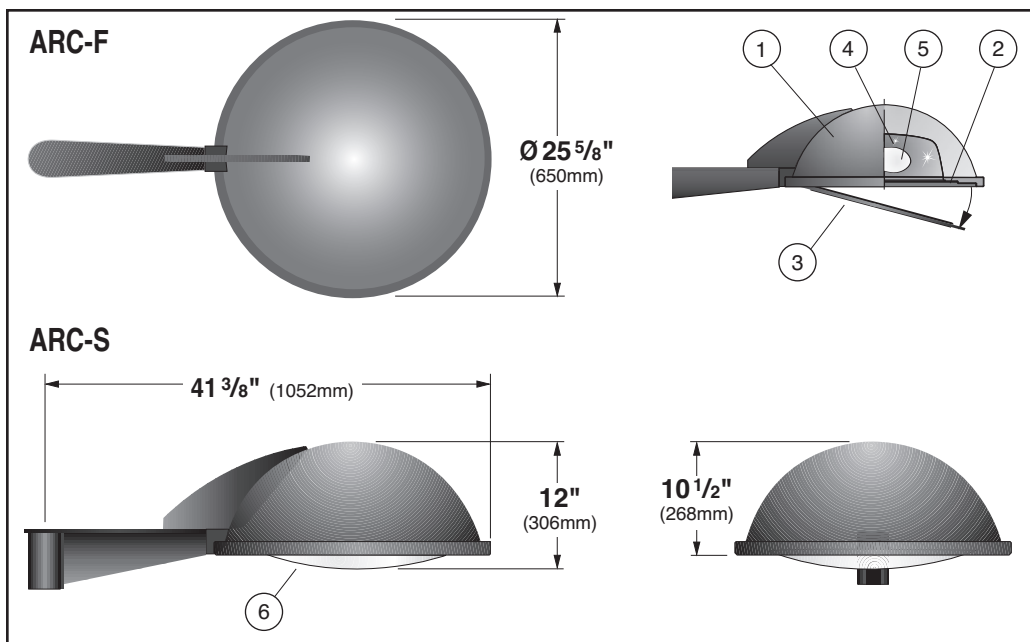
Project: _____

Type: _____ **Qty:** _____

ARC - - - - -
 Series Optics Reflector Mounting Lamping Finish Voltage Options

- - - - -
 Pole Series Height Finish Options

Series	Optics	Reflector	Mounting	Lamping	Finish	Voltage	Options
ARC	F Flat Glass Lens S Sagged Glass Lens	R2 Type II Distribution R3 Type III Distribution	Toltec Arm Series: S1 Single 29" Arm Mount S2 Double 29" Arm Mount L1 Single 41" Arm Mount L2 Double 41" Arm Mount Spanner Arm Series: AS1 Single 48" Arm Mount AS2 Double 48" Arm Mount AL1 Single 96" Arm Mount Direct Mount: DM1 Single 21" Direct Mount	Metal Halide H150 150w H250 250w H400 400w HPS S200 200w S250 250w S400 400w	WH White BK Black BZ Bronze SV Silver SP Specify Premium Color	120 208 240 277 347	PC Photocell FS ¹ Single Fusing
		¹ Not available with 347V					



Lens (S, shown). Fixture with tempered Flat Glass Lens (ARC-F) is IDA-Approved™ dark sky friendly.

7. Ballast - A high efficiency, pulse start, core and coil ballast regulates voltage for H.I.D. lamp. Mounted to removable tray for ease of servicing. Consult factory for detailed ballast information.

8. Socket - 4KV Pulse rated porcelain medium base for H150, or mogul base for all other lamps up to 400w. Socket is pre-wired to ballast at factory.

Exterior Luminaire Finish - Selux utilizes a high quality Polyester Powder Coating. All Selux luminaires and poles are finished in our Tiger Drylac certified facility and undergo a five stage intensive pretreatment process where product is thoroughly cleaned, phosphated and sealed. Selux powder coated products provide excellent salt and humidity resistance as well as ultra violet resistance for color retention. All products are tested in accordance with test specifications for coatings from ASTM and PCI.

Standard exterior colors are White (WH), Black (BK), Bronze (BZ), and Silver (SV). Selux premium colors (SP) are available, please specify from your Selux color selection guide. Hot Dip Galvanized finish (GV) on all steel parts also available.

1. Fixture Housing - Formed aluminum houses sealed optics and ballast.

2. Gasketing - Continuous molded silicone gasket provides weatherproofing, dust and insect control at all fixture connections.

3. Access Door - Formed aluminum door secures lens. Hinges open and retained in place with three quarter-turn captive fasteners.

4. Reflector - Electropolished and anodized aluminum reflector, producing asymmetrical light distribution.

5. Lamp - One clear, horizontal, ED17 medium-base 150w metal halide; or one clear, ED28 mogul base 250w - 400w metal halide or 200w - 400w ED18 high pressure sodium. Lamp provided by others.

6. Shielding - Clear, tempered glass with minimum wall thickness of 1/8" (3.17mm). Specify Flat Glass Lens (F) or Sagged Glass



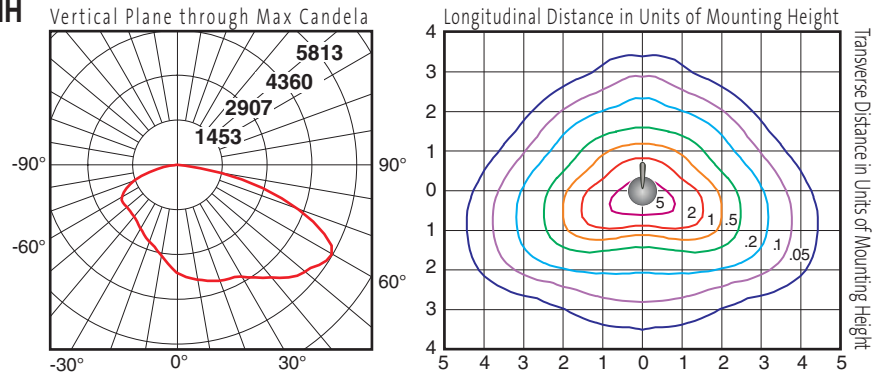
Photometry

Sagged Glass / Type II Reflector / 250w MH

Catalog # ARC-S-R2-1-H250
Report # LSI-15414

- Ideal for applications demanding max. spacing.
- Maximum candela of 5813 at 60° vertical.
- IES classification - Type II Cutoff.

DOWNLOAD IES FILE:
http://www.selux.us/fileadmin/us/exterior/ies_file/ARC_IES.zip

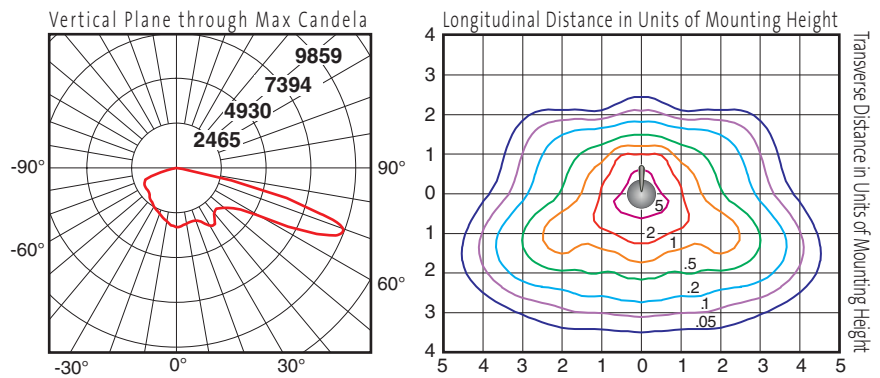


Flat Glass / Type III Reflector / 250w MH

Catalog # ARC-F-R3-1-H250
Test # SX-9559-B10

- Precision formed aluminum reflector with specular "kick" reflectors to precisely control distribution.
- Maximum candela of 9859 at 70° vertical
- IES classification - Type III Full Cutoff.
- IDA-Approved™ dark sky friendly.

DOWNLOAD IES FILE:
http://www.selux.us/fileadmin/us/exterior/ies_file/ARC_IES.zip



H.I.D. Lamp Prorate Table					
High Pressure Sodium			Metal Halide		
WATTAGE	FACTOR	INITIAL LUMENS	WATTAGE	FACTOR	INITIAL LUMENS
200	1.10	22000	150	0.70	14000
250	1.40	28000	250	1.00	20000
400	2.55	51000	400	2.00	40000

Height Conversion Chart	
Values based on 20' mounting height	
Mounting Height	Multiply
16'	1.12
18'	1.05
20'	1.00
25'	0.89
30'	0.82

Photometry (cont'd)

Flat Glass / Type II Reflector / 150w MH

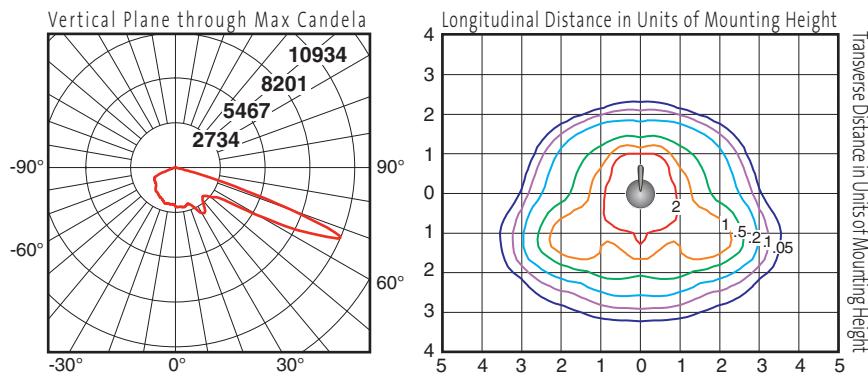
Catalog # ARC-F-R2-1-H150

Test # LTL-14137

- Precision formed aluminum reflector with specular "kick" reflectors to precisely control distribution.
- Maximum candela of 10934 at 67° vertical
- IES classification - Type II Full Cutoff
- IDA-Approved™ dark sky friendly.

DOWNLOAD IES FILE:

http://www.selux.us/fileadmin/us/exterior/ies_file/ARC_IES.zip

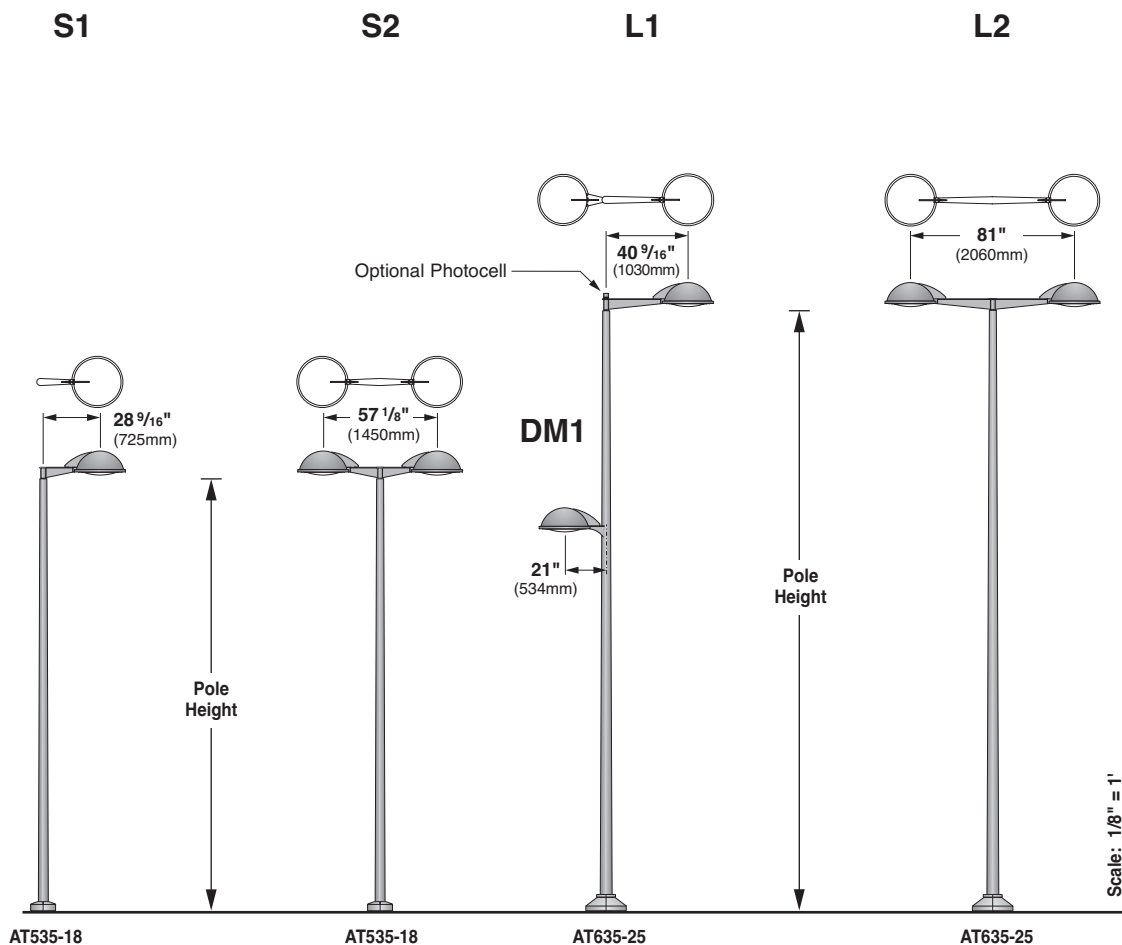


Height Conversion Chart	
Values based on 20' mounting height	
Mounting Height	Multiply
16'	1.12
18'	1.05
20'	1.00
25'	0.89
30'	0.82

Flat Glass Lens combined with Type II Reflector only possible with H150 M.H. lamp.

Mounting

Toltec Arm Series

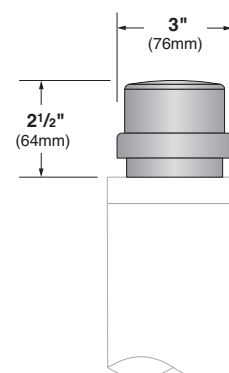


- EPA / Weight of ARC-S1 (with arm) = 1.68 ft² (0.16 m²) / 45.0 lbs (20.4kg)
- EPA / Weight of ARC-S2 (with arms) = 3.22 ft² (0.30 m²) / 87.0 lbs (39.5kg)
- EPA / Weight of ARC-L1 (with arm) = 2.06 ft² (0.19 m²) / 47.0 lbs (21.3kg)
- EPA/Weight of ARC-L2 (with arms) = 3.97 ft² (0.37 m²) / 91.0 lbs (41.3kg)
- EPA / Weight of ARC-DM1 (with arm) = 1.61 ft² (0.15 m²) / 40.0 lbs (18.1kg)

Note: EPA values indicated are for Fixture Head and Arm Assembly indicated. Pole EPA is not included. See last page for pole EPA values.

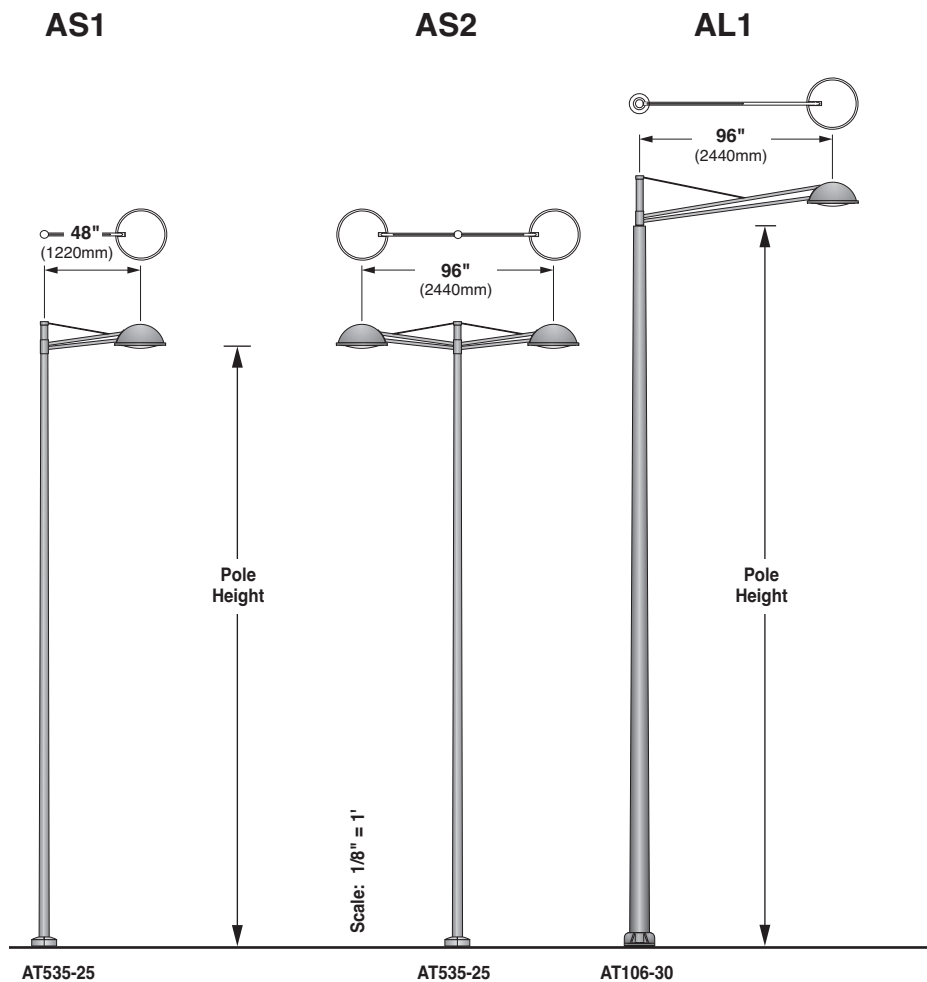
PC (Photocell) Detail

Note: Photocell is available for all pole and arm mounting configurations except Direct Mount.



Mounting (cont'd)

Spanner Arm Series



EPA / Weight of ARC-AS1 (with arm) = 1.76 ft² (0.18 m²) / 47.0 lbs (21.3kg)

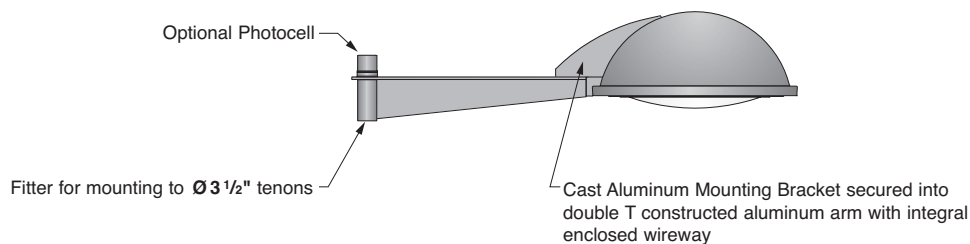
EPA / Weight of ARC-AS2 (with arms) = 3.27 ft² (0.30 m²) / 92.0 lbs (41.7kg)

EPA / Weight of ARC-AL1 (with arm) = 2.41 ft² (0.22 m²) / 59.0 lbs (26.8kg)

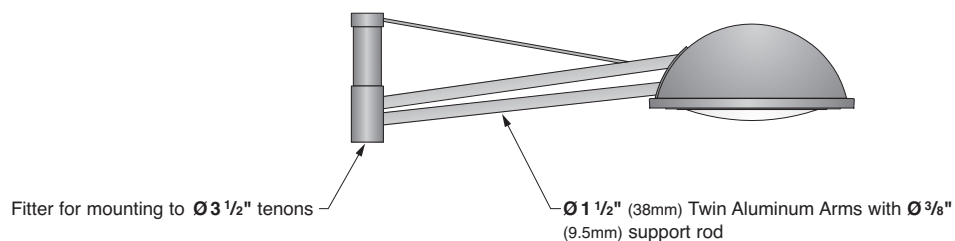
Note: EPA values indicated are for Fixture Head and Arm Assembly indicated. Pole EPA is not included. See last page for pole EPA values.

Arm Construction Details

Toltec Arm Series (L1 shown)

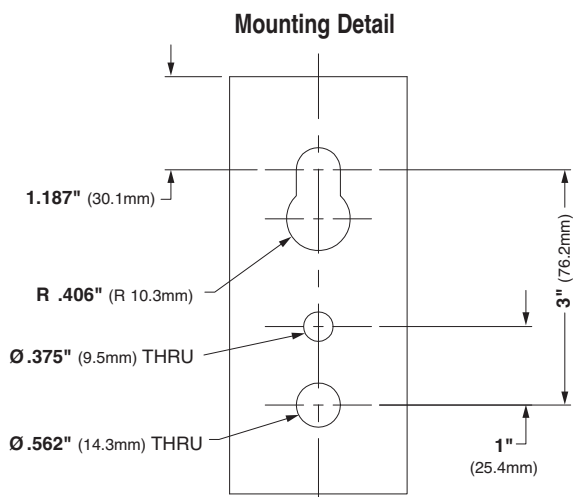
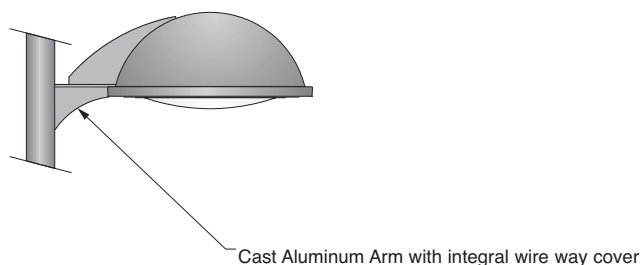


Spanner Arm Series (AS1 shown)



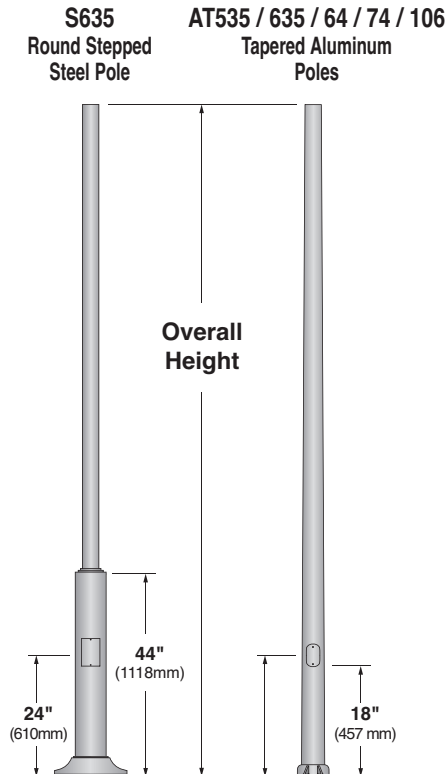
Direct Mount Mounting (DM1)

For side mounting to pole.

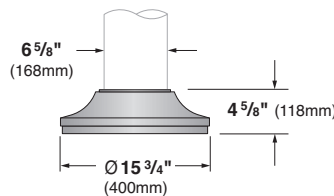


Pole Information

Refer to S635, AT535/635, AT64/74, or AT106 Pole specification sheets for construction details, anchorage information and additional options.

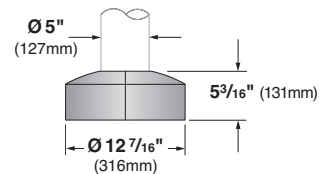


**Stepped Steel Pole (S635)
BC6 Standard Base Cover**
One-piece cast aluminum



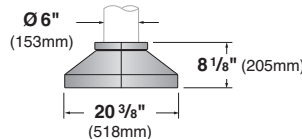
**BC3 Optional Base Cover
(AT535)**

Die cast aluminum, two-piece field installable base cover.



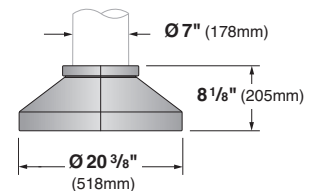
BC9 Optional Base Cover (AT635/AT64)

Die cast aluminum, two-piece field installable base cover.



BC10 Optional Base Cover (AT74)

Die cast aluminum, two-piece field installable base cover.



Pole Series	Bolt Circle	EPA Information (ft ²)					Height	Finish	Options
		70 mph	80 mph	90 mph	100 mph	110 mph			
S635 3 1/2" Diameter Stepped Steel Pole	9"	21.7	15.8	12.3	9.6	7.6	16 16 ft.	WH White BK Black BZ Bronze SV Silver SP Specify Premium Color	BC3 Optional Two-Piece Cast Aluminum Base Cover (for AT535 poles only)
AT535 5" to 3 1/2" Tapered Aluminum Pole	8 1/2"	10.7	7.7	5.6	4.2	3.3			
AT64 6" to 4" Dia. Tapered Aluminum Pole	9 1/2"	19.0	14.1	10.8	8.6	7.0			
AT535 5" to 3 1/2" Tapered Aluminum Pole	8 1/2"	11.1	7.8	5.6	4.2	3.2	18 18 ft.	BC9 Optional Two-Piece Cast Aluminum Base Cover (AT635/AT64 poles only)	
S635 3 1/2" Diameter Stepped Steel Pole	9"	18.8	13.6	10.4	8.1	6.3			
AT64 6" to 4" Dia. Tapered Aluminum Pole	9 1/2"	15.7	11.5	8.7	6.9	5.5			
AT74 7" to 4" Dia. Tapered Aluminum Pole	10 1/2"	23.2	17.2	13.3	10.6	8.6	20 20 ft.	BC10 Optional Two-Piece Cast Aluminum Base Cover (for AT74 poles only)	
AT535 5" to 3 1/2" Tapered Aluminum Pole	8 1/2"	9.4	6.4	4.5	3.2	2.4			
AT64 6" to 4" Dia. Tapered Aluminum Pole	9 1/2"	13.5	9.6	7.1	5.6	4.4			
AT74 7" to 4" Dia. Tapered Aluminum Pole	10 1/2"	20.3	15.0	11.4	9.0	7.3	25 25 ft.	REC GFCI Receptacle with weather proof cover*	
AT635 6" to 3 1/2" Tapered Aluminum Pole	9 3/4"	10.4	7.0	4.8	3.4	2.6			
AT74 7" to 4" Dia. Tapered Aluminum Pole	10 1/2"	13.4	9.5	7.0	5.4	4.2			
AT106-188 10" to 6" Dia. Tapered Aluminum Pole	14 1/4"	26.8	20.0	15.3	11.7	9.2	30 30 ft.	T35 3 1/2" Tennon (required for all poles over Ø3.5" for arm mounting)	
<p>* Weatherproof cover intended for portable tools or other portable equipment connected to the outlet only when attended. For other requirements please consult factory.</p>									
Other pole configurations available, consult factory.			EPA Calculations allow for 1.3 Gust Factor			See Mounting Pages for Fixture/Arm Weights and EPA info.			