



Project: _____

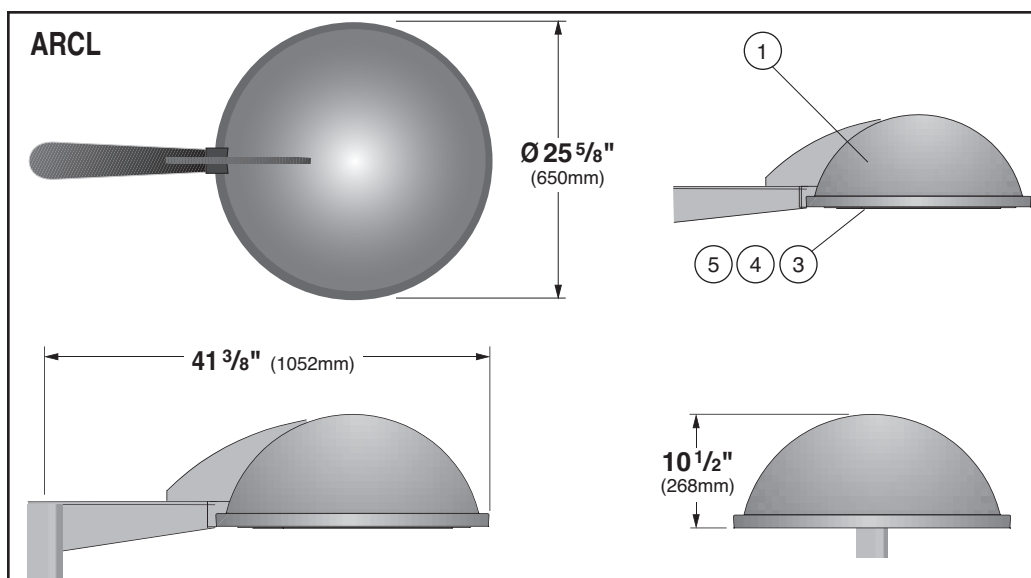
Type: _____ **Qty:** _____

ARCL - _____ - _____ - _____ - _____ - _____ - _____ - _____
 Series Optics Mounting Light Engine CCT Finish Voltage Options

_____ - _____ - _____ - _____
 Pole Series Height Finish Options

| Series | Optics | Mounting | Light Engine | CCT | Finish | Voltage | Options |
|-----------------|-------------|-----------------------------|-------------------------------|-------------|--|---------------------------------|--|
| ARCL Arc LED | R1 Type I | Toltec Arm Series: | 6TL350 ¹ 350mA/60w | 30 3000K | WH White BK Black BZ Bronze SV Silver SP Specify Premium Color | 120 208 277 347 480 | PC Photocell DM ¹ Dimming (0-10v) HL ² Hi-Lo Switching Motion Sensor w/ Optional Photocell (Meets Title 24 requirements) See Pole Spec Sheet for Order Code |
| | R2 Type II | S1 Single 29" Arm Mount | 6TL500 500mA/87w | | | | |
| | R3 Type III | S2 Double 29" Arm Mount | | | | | |
| | R4 Type IV | L1 Single 41" Arm Mount | | | | | |
| | R5 Type V | L2 Double 41" Arm Mount | | | | | |
| | | Spanner Arm Series: | | | | | |
| | | AS1 Single 48" Arm Mount | | | | | |
| | | AS2 Double 48" Arm Mount | | | | | |
| | | AL1 Single 96" Arm Mount | | | | | |
| | | Direct Mount: | | | | | |
| | | DM1 Single 21" Direct Mount | | | | | |

¹No dimming at 350mA ² 120V, 277V only



Exterior Luminaire Finish - Selux utilizes a high quality Polyester Powder Coating. All Selux luminaires and poles are finished in our Tiger Drylac certified facility and undergo a five stage intensive pre-treatment process where product is thoroughly cleaned, phosphated and sealed. Selux powder coated products provide excellent salt and humidity resistance as well as ultra violet resistance for color retention. All products are tested in accordance with test specifications for coatings from ASTM and PCI.

Standard exterior colors are White (WH), Black (BK), Bronze (BZ), and Silver (SV). Selux premium colors (SP) are available, please specify from your Selux color selection guide. Hot Dip Galvanized finish (GV) on all steel parts also available.

5 Year Limited LED Luminaire Warranty - Selux offers a 5 Year Limited Warranty to the original purchaser that the Selux LED luminaire shall be free from defects in material and workmanship for up to five (5) years from date of shipment. This limited warranty covers the fixture, LED driver and LED light engine when installed and operated according to Selux instructions. Fixture suitable for ambient temperatures of 40° C (104° F). For details and exclusions, see "Selux Terms and Condition of Sale."

Listings and Ratings: Tested to IESNA LM-79-08 nd LM-80 test standards at 25° C ambient temperature. Rated for wet location.

1. Fixture Housing - Spun low-copper aluminum housing protects LED components.

2. Gasketing - (Not shown) Continuous molded silicone gasket provides weatherproofing, dust and insect control at all fixture connections.

3. Access Door - Formed low-copper aluminum door hinges open for access to LED light engine and is retained in

place with three quarter-turn captive fasteners.

4. LED Light Engine - High efficacy LED light engine with 60,000 hour life until L70. Available with 3000K or 4500K CCT and a CRI of 80. Protection class IP67.

5. Optics - High transmittance custom molded lenses create IES distribution types I, II, III, IV and V with IDA

Approved "Dark Sky Friendly" performance.

6. LED Driver - (Not shown) High power factor, High efficiency constant current LED driver. 120-277 VAC input. Protection class IP67. 347/480V with step down transformer.

7. Surge Protection - (Not shown) 3-Pole Surge protection device safeguards electrical components from indirect lightning strikes and surges up to (10kA and 10kV). RoHS compliant.

Selux Corp. © 2018
 TEL (845) 834-1400
 FAX (845) 834-1401
 www.selux.us
 ARCL-0118-01 (v1.26)

NRTL Listed (i.e. UL, CSA)

Union Made Affiliated
 with IBEW Local 363



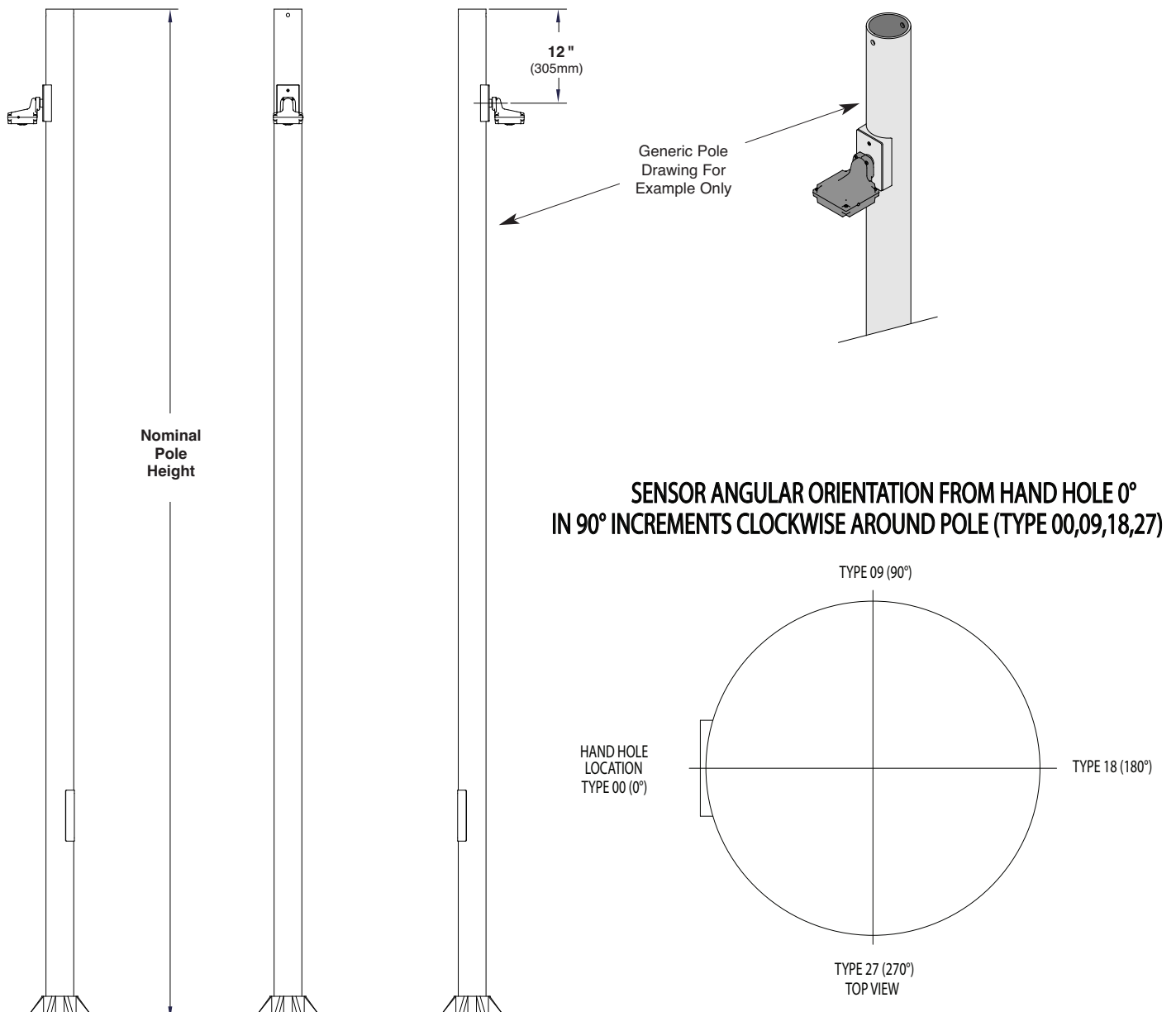
In a continuing effort to offer the best product possible, we reserve the right to change, without notice, specifications or materials that in our opinion will not alter the function of the product. Specification sheets found at www.selux.us are the most recent versions and supercede all other printed or electronic versions.

Motion Sensor Features

The Selux outdoor rated sensor incorporates Passive Infrared (PIR) technology for motion sensing and also includes a built in photocell. Designed to mount directly through a 1/2" KO in a single gang faceplate on pole/column, the SBO utilizes 100% Digital Passive Infrared (PIR) technology that is tuned for walking size while preventing false tripping from the environment.

| Series | Optics | Hand Hole Orientation | Program | Color | Photocell Feature | Voltage |
|------------------------|---------------------------------------|--|-----------|-----------|-------------------|-------------------|
| MS Motion Sensor | 1 270° coverage - Single Sensor | 00 | D0 0V=0% | WH White | Y Yes | UNV 347 480 |
| | | 09 | D1 1V=10% | BK Black | N No | |
| | | 18 | D3 3V=30% | BZ Bronze | | |
| | | 27 | D5 5V=50% | | | |
| | | Goes from dim level to full bright upon motion | | | | |

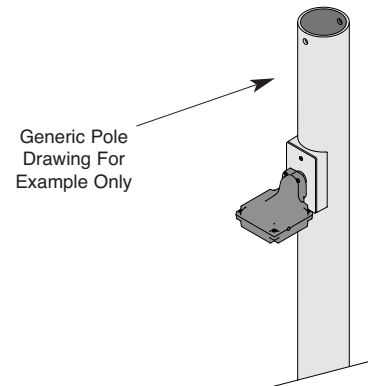
NOTE: Motion sensor comes programmed at 30% dimmed level with a 5 min. delay as default. All programming required after shipping by others.



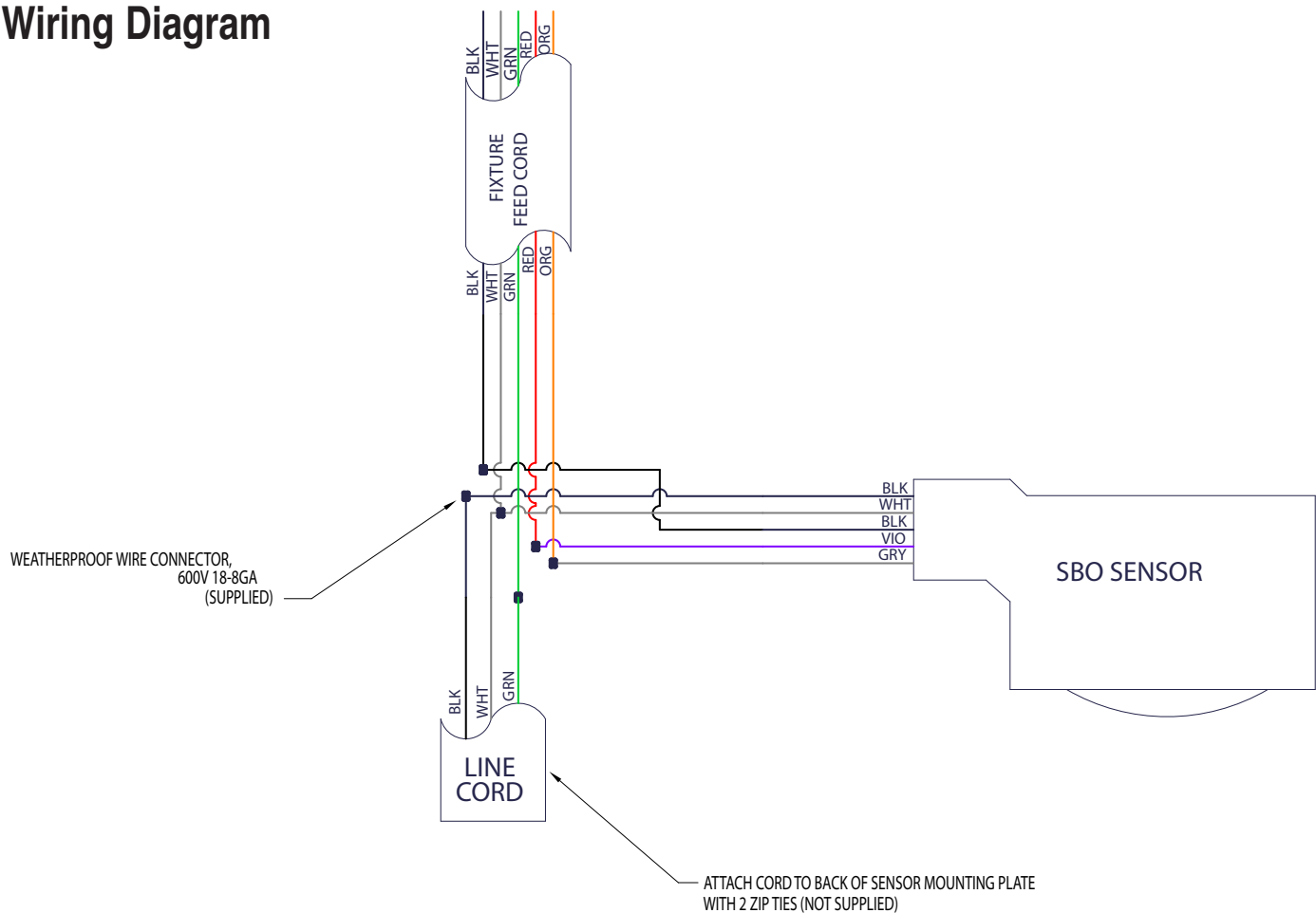
Motion Sensor Features

Features

- 100% Digital PIR Detection, excellent RF Immunity
- 270° coverage pattern
- Up to 30ft mounting
- IP66 Rated for outdoor applications
- Built in 1kV surge protection
- No minimum load requirements
- Made for LED light source
- Interchangeable hot and load wires - impossible to wire backwards
- Adjustable time delays, max/min dim levels and ramp rates
- Programming button accessible without opening sensor or removing gaskets
- No field calibration or sensitivity adjustments required
- Non-volatile setting memory
- Convenient test mode
- Suitable for Title 24 applications



Wiring Diagram



Photometry

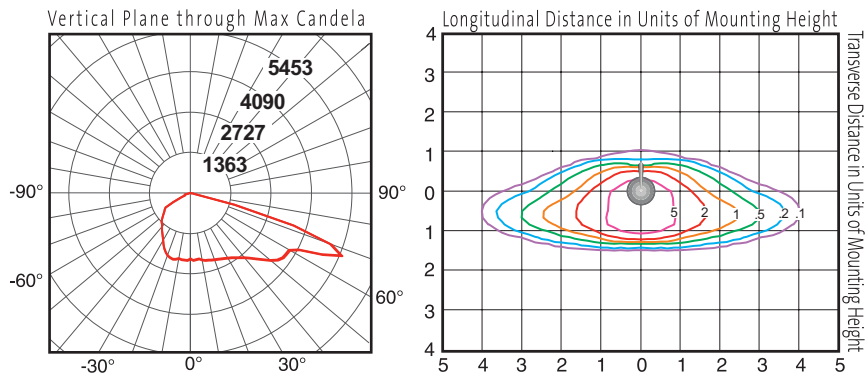
R1 87W LED

Catalog #ARCL-R1-S1-6TL500-45
Report # 1085G01S-1

- Maximum candela of 5453 at 67.5° from vertical
- IES classification: Type I Full Cutoff*
- 7112 Delivered Lumens
- 77 Lumens per Watt
- Based on 16' mounting height
- BUG Rating B2-U0-G1

DOWNLOAD IES FILE:

http://www.selux.us/fileadmin/us/exterior/ies_file/ARCL_IES.zip



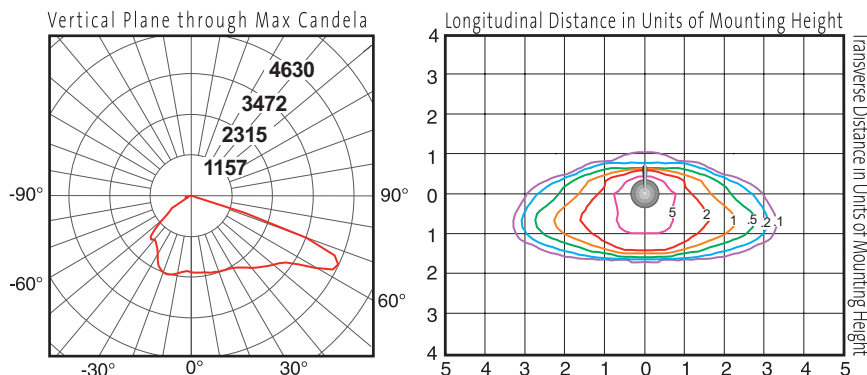
R2 87W LED

Catalog #ARCL-R2-S1-6TL500-45
Report # 1069G02S-2

- Maximum candela of 4629 at 65° from vertical
- IES classification: Type II Full Cutoff*
- 7260 Delivered Lumens
- 79 Lumens per Watt
- Based on 16' mounting height
- BUG Rating B2-U0-G1

DOWNLOAD IES FILE:

http://www.selux.us/fileadmin/us/exterior/ies_file/ARCL_IES.zip



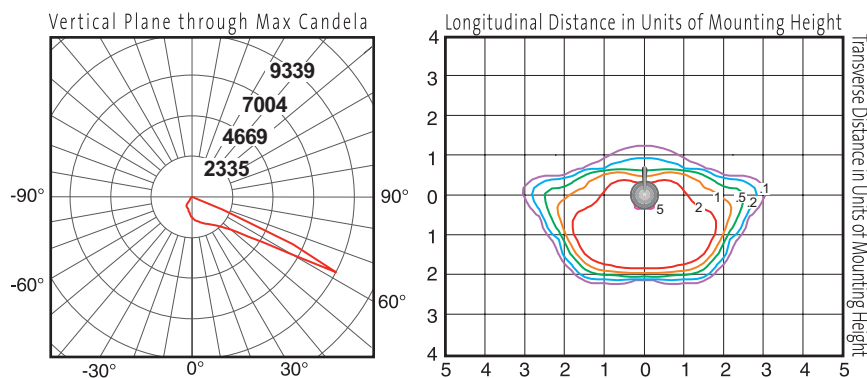
R3 87W LED

Catalog #ARCL-R3-S1-6TL500-45
Report # 1069X01S-3

- Maximum candela of 9339 at 62.5° from vertical
- IES classification: Type III Full Cutoff*
- 6983 Delivered Lumens
- 76 Lumens per Watt
- Based on 16' mounting height
- BUG Rating B1-U0-G2

DOWNLOAD IES FILE:

http://www.selux.us/fileadmin/us/exterior/ies_file/ARCL_IES.zip



Photometry

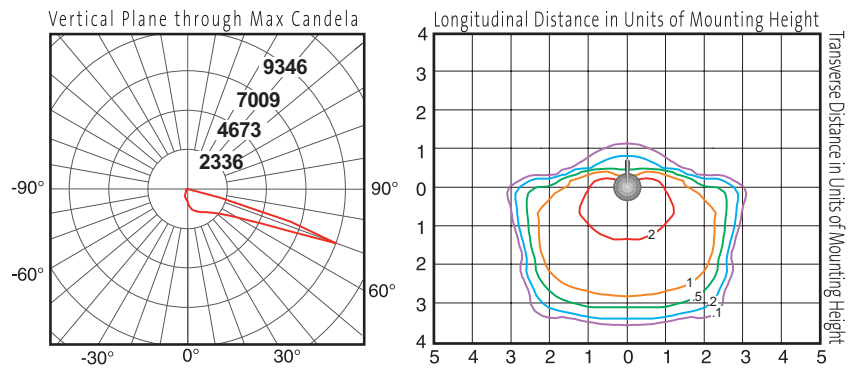
R4 87W LED

Catalog #ARCL-R4-S1-6TL500-45
Report # 1069X01S-4

- Maximum candela of 9346 at 70° from vertical
- IES classification: Type IV Full Cutoff*
- 6984 Delivered Lumens
- 76 Lumens per Watt
- Based on 16' mounting height
- BUG Rating B1-U0-G2

DOWNLOAD IES FILE:

http://www.selux.us/fileadmin/us/exterior/ies_file/ARCL_IES.zip



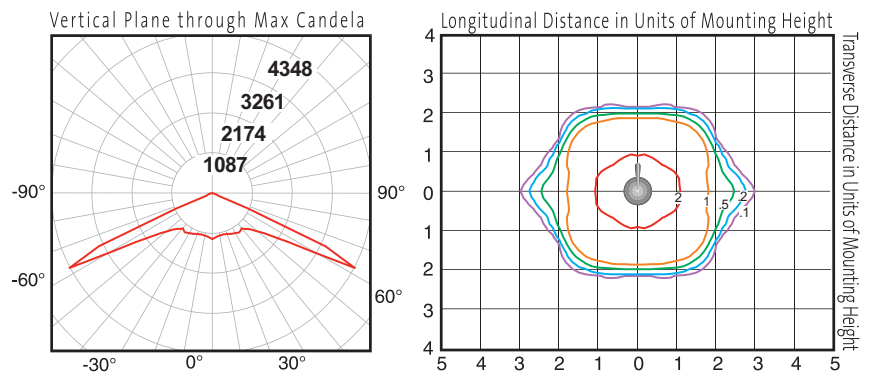
R5 87W LED

Catalog #ARCL-R5-1-6TL500-45
Report # 6245-1

- Maximum candela of 4348 at 62.5° from vertical
- IES classification: Type V Full Cutoff*-
- 6984 Delivered Lumens
- 76 Lumens per Watt
- Based on 16' mounting height
- BUG Rating B3-U1-G1

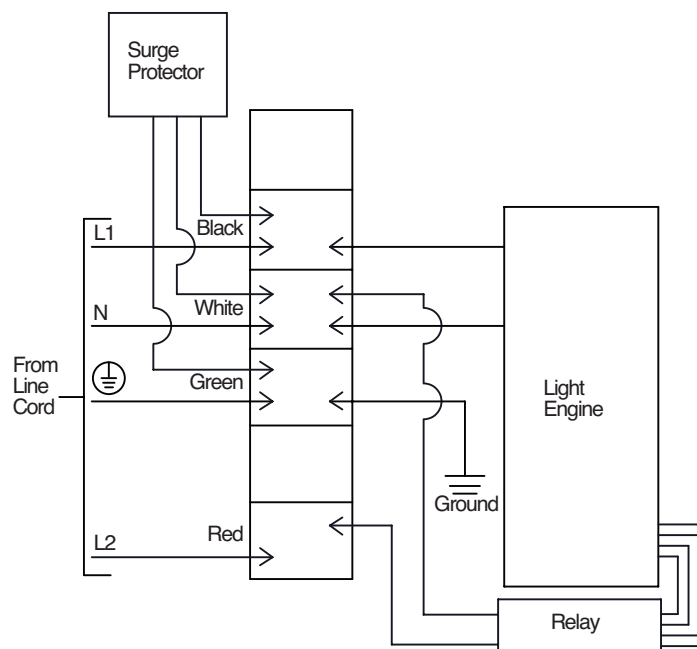
DOWNLOAD IES FILE:

http://www.selux.us/fileadmin/us/exterior/ies_file/ARCL_IES.zip



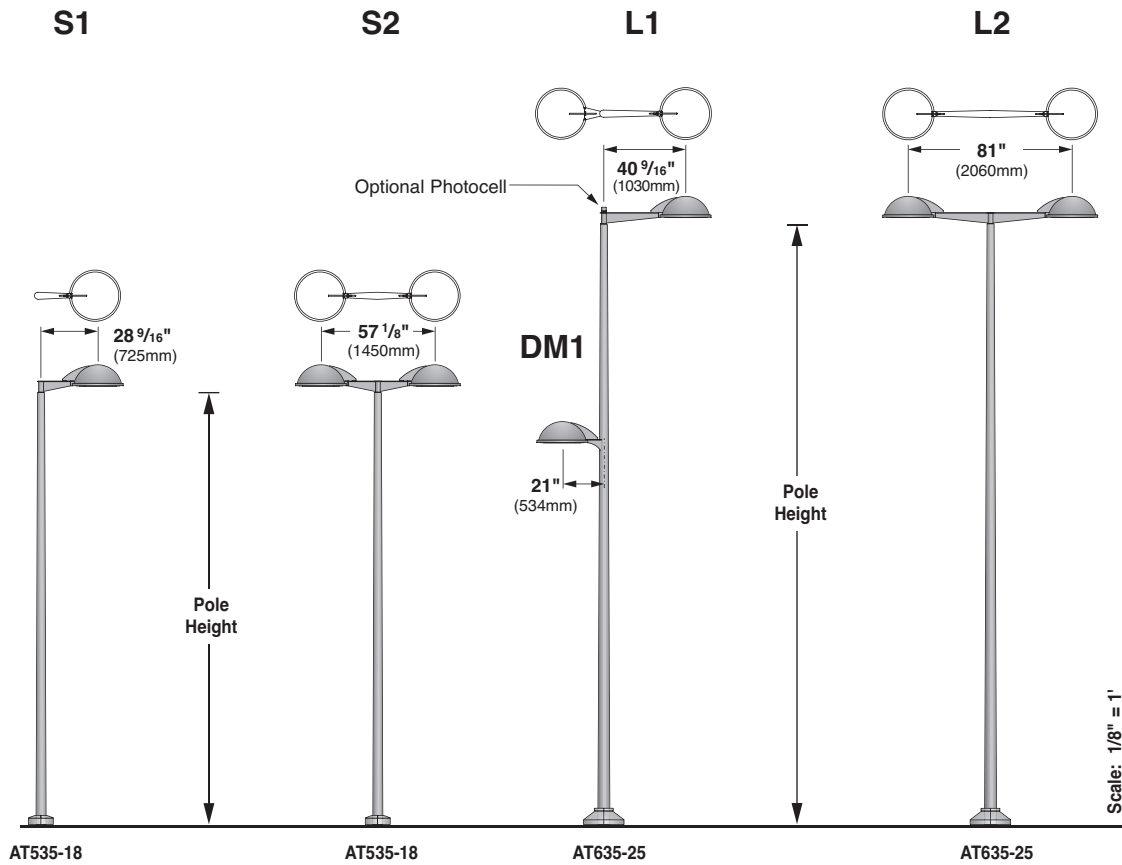
Hi-Lo Switching Option (HL) Wiring

4TL500 120-277V. When red is energized, light output will be at “Lo”-level.



Mounting

Toltec Arm Series

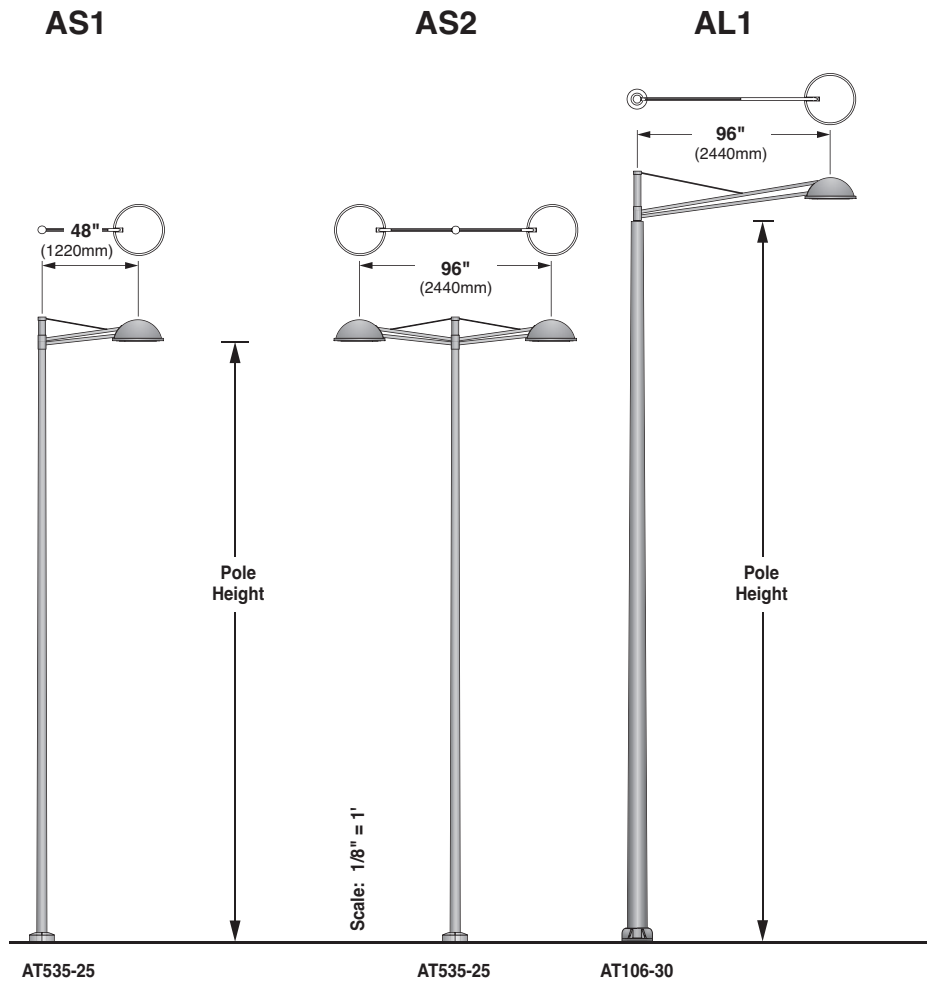


- EPA / Weight of ARC-S1 (with arm) = 1.68 ft² (0.16 m²) / 49.0 lbs (22.2kg)
- EPA / Weight of ARC-S2 (with arms) = 3.22 ft² (0.30 m²) / 91.0 lbs (41.2kg)
- EPA / Weight of ARC-L1 (with arm) = 2.06 ft² (0.19 m²) / 51.0 lbs (23.1kg)
- EPA/Weight of ARC-L2 (with arms) = 3.97 ft² (0.37 m²) / 95.0 lbs (43.1kg)
- EPA / Weight of ARC-DM1 (with arm) = 1.61 ft² (0.15 m²) / 44.0 lbs (19.9kg)

Note: EPA values indicated are for Fixture Head and Arm Assembly indicated. Pole EPA is not included. See back page for pole EPA values.

Mounting (cont'd)

Spanner Arm Series



EPA / Weight of ARC-AS1 (with arm) = 1.76 ft² (0.18 m²) / 51.0 lbs (23.1kg)

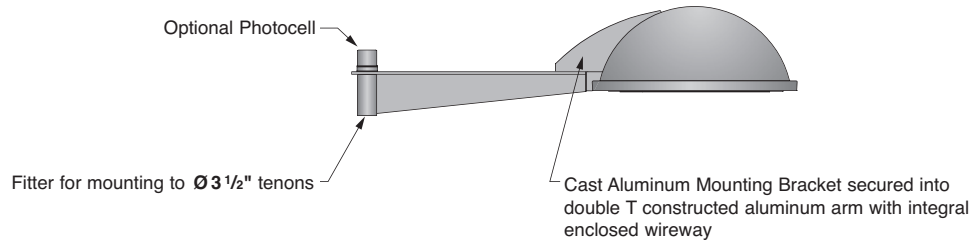
EPA / Weight of ARC-AS2 (with arms) = 3.27 ft² (0.30 m²) / 96.0 lbs (43.5kg)

EPA / Weight of ARC-AL1 (with arm) = 2.41 ft² (0.22 m²) / 63.0 lbs (28.6kg)

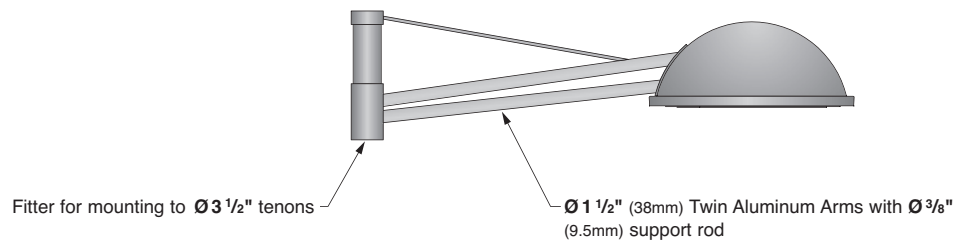
Note: EPA values indicated are for Fixture Head and Arm Assembly indicated. Pole EPA is not included. See back page for pole EPA values.

Arm Construction Details

Toltec Arm Series (L1 shown)

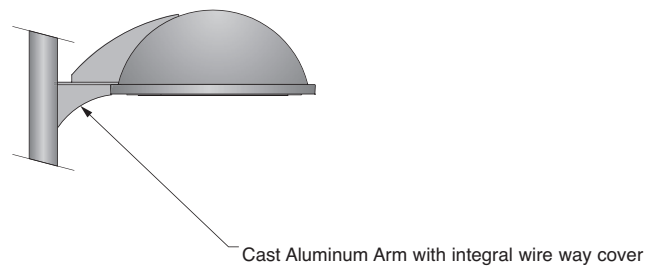


Spanner Arm Series (AS1 shown)

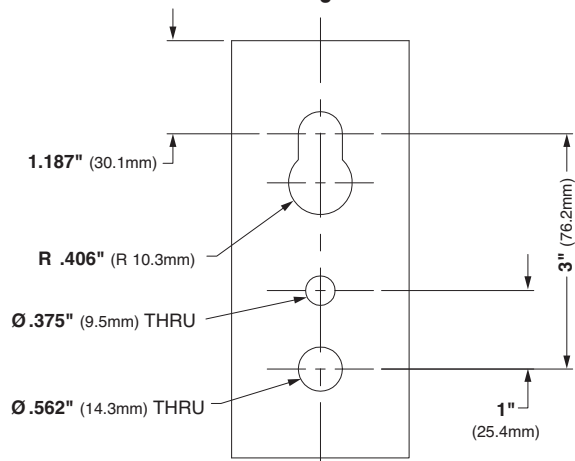


Direct Mount Mounting (DM1)

For side mounting to pole.

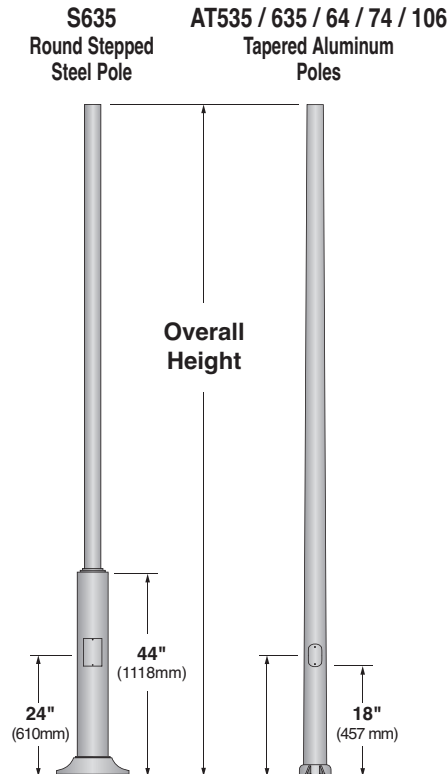


Mounting Detail

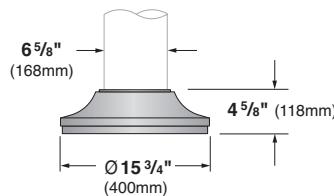


Pole Information

Refer to S635, AT535/635, AT64/74, or AT106 Pole specification sheets for construction details, anchorage information and additional options.

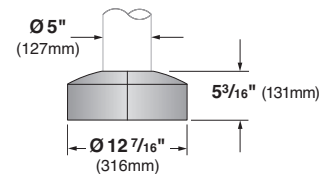


**Stepped Steel Pole (S635)
 BC6 Standard Base Cover**
 One-piece cast aluminum



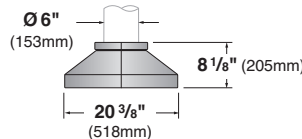
BC3 Optional Base Cover (AT535)

Die cast aluminum, two-piece field installable base cover.



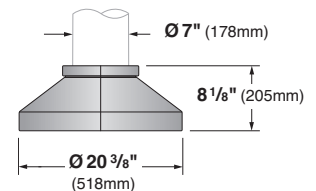
BC9 Optional Base Cover (AT635/AT64)

Die cast aluminum, two-piece field installable base cover.



BC10 Optional Base Cover (AT74)

Die cast aluminum, two-piece field installable base cover.



| Pole Series | Bolt Circle | EPA Information (ft ²) | | | | | Height | Finish | Options |
|--|-------------|------------------------------------|--------|--------|---------|---------|-----------|--|---|
| | | 70 mph | 80 mph | 90 mph | 100 mph | 110 mph | | | |
| S635 3 1/2" Diameter Stepped Steel Pole | 9" | 21.7 | 15.8 | 12.3 | 9.6 | 7.6 | 16 16 ft. | WH White BK Black BZ Bronze SV Silver SP Specify Premium Color | BC3 Optional Two-Piece Cast Aluminum Base Cover (for AT535 poles only) BC9 Optional Two-Piece Cast Aluminum Base Cover (AT635/AT64 poles only) BC10 Optional Two-Piece Cast Aluminum Base Cover (for AT74 poles only) |
| AT535 5" to 3 1/2" Tapered Aluminum Pole | 8 1/2" | 10.7 | 7.7 | 5.6 | 4.2 | 3.3 | | | |
| AT64 6" to 4" Dia. Tapered Aluminum Pole | 9 1/2" | 19.0 | 14.1 | 10.8 | 8.6 | 7.0 | | | |
| AT535 5" to 3 1/2" Tapered Aluminum Pole | 8 1/2" | 11.1 | 7.8 | 5.6 | 4.2 | 3.2 | 18 18 ft. | REC GFCI Receptacle with weather-proof cover* REC2 GFCI Receptacle with weather proof padlockable in-use cover* MS Motion Sensor w/ Optional Photocell (Meets Title 24 Requirements) | |
| S635 3 1/2" Diameter Stepped Steel Pole | 9" | 18.8 | 13.6 | 10.4 | 8.1 | 6.3 | | | |
| AT64 6" to 4" Dia. Tapered Aluminum Pole | 9 1/2" | 15.7 | 11.5 | 8.7 | 6.9 | 5.5 | | | |
| AT74 7" to 4" Dia. Tapered Aluminum Pole | 10 1/2" | 23.2 | 17.2 | 13.3 | 10.6 | 8.6 | 20 20 ft. | T35 3 1/2" Tennon (required for all poles over Ø 3.5" for arm mounting) | |
| AT535 5" to 3 1/2" Tapered Aluminum Pole | 8 1/2" | 9.4 | 6.4 | 4.5 | 3.2 | 2.4 | | | |
| AT64 6" to 4" Dia. Tapered Aluminum Pole | 9 1/2" | 13.5 | 9.6 | 7.1 | 5.6 | 4.4 | | | |
| AT74 7" to 4" Dia. Tapered Aluminum Pole | 10 1/2" | 20.3 | 15.0 | 11.4 | 9.0 | 7.3 | 25 25 ft. | | |
| AT635 6" to 3 1/2" Tapered Aluminum Pole | 9 3/4" | 10.4 | 7.0 | 4.8 | 3.4 | 2.6 | | | |
| AT74 7" to 4" Dia. Tapered Aluminum Pole | 10 1/2" | 13.4 | 9.5 | 7.0 | 5.4 | 4.2 | | | |
| AT106-188 10" to 6" Dia. Tapered Aluminum Pole | 14 1/4" | 26.8 | 20.0 | 15.3 | 11.7 | 9.2 | 30 30 ft. | | |

* Weatherproof cover intended for portable tools or other portable equipment connected to the outlet only when attended. For other requirements please consult factory.

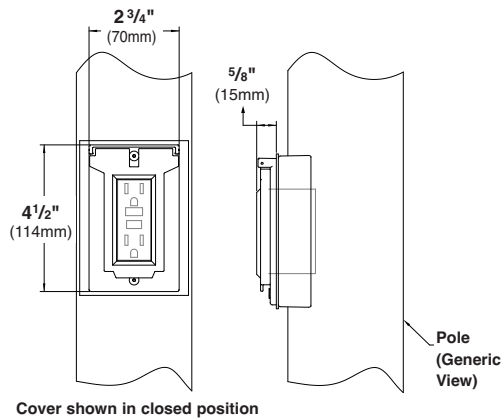
Other pole configurations available, consult factory.

EPA Calculations allow for 1.3 Gust Factor

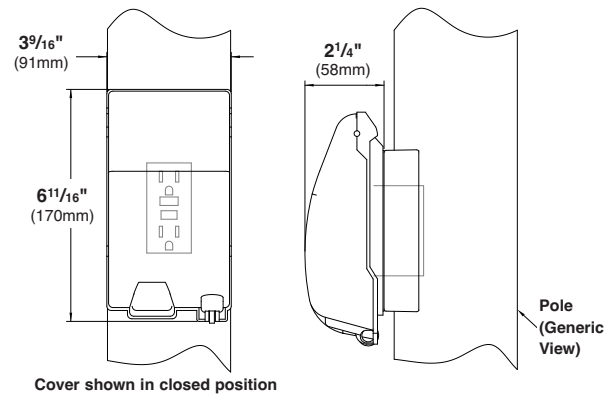
See Mounting Pages for Fixture/Arm Weights and EPA info.

Optional Accessories

GFCI Receptacle (REC) - 120V 15A GFCI duplex receptacle with weather-proof, self-closing cover; located 36" (915mm) from base of pole, inline with handhole. Receptacle is intended only for portable tools or other portable equipment to be connected to outlet only when attended by operating personnel.



GFCI Receptacle (REC2) - 120V 15A GFCI duplex receptacle with weather-proof, self-closing padlockable in-use cover; located 36" (915mm) from base of pole, inline with handhole. Receptacle is intended only for portable tools or other portable equipment to be connected to outlet only when attended by operating personnel. For use with 120V applications only. For other fixture voltages, please consult factory for wire segregation requirements.



PC (Photocell) Detail

Note: Photocell is available for all pole and arm mounting configurations except Direct Mount.

